

Technical Service Bulletin

Topic	60 Glass roof flickers
Market area	United States 444 Volkswagen of America, Inc. (6444)
Brand	Audi
Transaction No.	2079213/2
Level	EH
Status	Released for publishing
Release date	Sep 25, 2025

New customer code

Object of complaint	Complaint type	Position
roof systems, special equipment -> sliding/tilting sunroof, panorama roof actuator	functionality	

Vehicle data

Audi A6 e-tron/A5

Sales types

Type	MY	Brand	Designation	Engine code	Gearbox code	Final drive code
FU*	2025	A		*	*	*
GH*	2025	A		*	*	*

PR numbers

PR numbers
?:with 3FP

Documents

Document name
master.xml

Condition

REVISION HISTORY		
Revision	Date	Purpose
2	-	Revised header (Add model)
1	09/09/2025	Initial publication

Customer states:

The variable glass roof flickers or cannot be operated.

Workshop findings:

No relevant entry in event memory.

Technical Background

1. The connectors on the control unit are not plugged in correctly.
2. Control unit J1288 deviates from series production.

Production Solution

1. Employee instructions on how to correctly insert the connectors.
2. Software optimization on J1288 expected in November 2026.

Service

If the customer complaint can be reproduced, the headliner must be lowered. Then check whether all connectors on both control units are plugged in correctly. If so and the complaint still occurs, control unit J1288 (see number 8 in Figure 1) must be replaced.

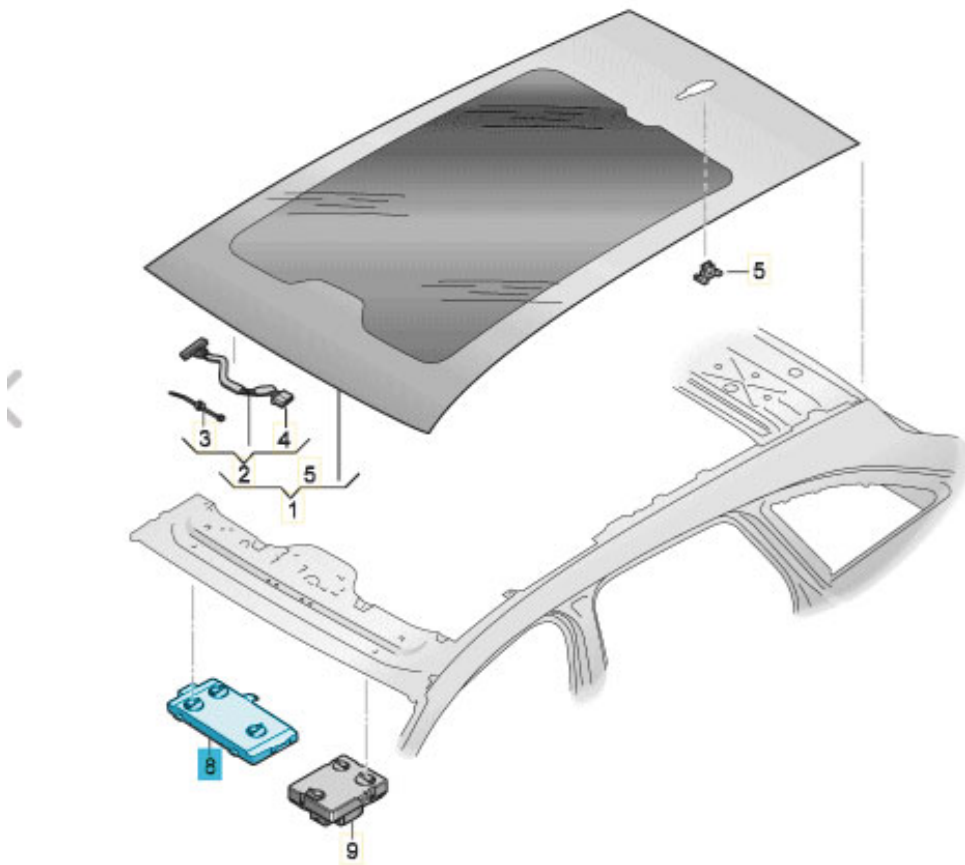


Figure 1. Control unit J1288 is highlighted.

Warranty

Claim Type:	<ul style="list-style-type: none"> If the vehicle is outside of any warranty, this Technical Service Bulletin is informational only. 		
Service Number:	6065		
Damage Code:	0040		
Labor Operations:	Loosen and secure roof trim	7084 0900	See SRT with associated operations
	Check sliding sunroof adjustment control unit	6065 0199	10 TU
	Remove and install sliding sunroof adjustment control unit	6065 1999	10 TU
	GFF / Guided Functions	0150 0060	Labor according to the diagnostic log
Claim Comment:	As per TSB 20079213/2		

All warranty claims submitted for payment must be in accordance with the *Audi Warranty Policies and Procedures Manual*. Claims are subject to review or audit by Audi Warranty.

Additional Information

All part and service references provided in this TSB (2079213) are subject to change and/or removal. Always check with your Parts Department and/or ETKA for the latest information and parts bulletins. Please check the Repair Manual for fasteners, bolts, nuts, and screws that require replacement during the repair.

©2025 Audi of America, Inc. All rights reserved. The information contained in this document is based on the latest information available at the time of printing and is subject to the copyright and other intellectual property rights of Audi of America, Inc., its affiliated companies, and its licensors. All rights are reserved to make changes at any time without notice. No part of this document may be reproduced, stored in a retrieval system, or transmitted in any form or by any means, electronic, mechanical, photocopying, recording, or otherwise, nor may these materials be modified or reposted to other sites, without the prior expressed written permission of the publisher.