



STAR ONLINE PUBLICATION



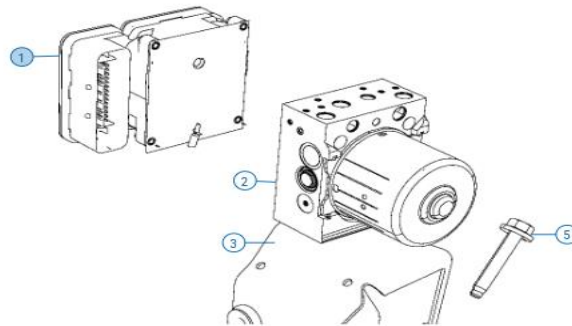
Case Number: S2505000008

Release Date: September 2025

Symptom/Vehicle Issue: C0044-00-BRAKE PRESSURE SENSOR 1 (MODULE, Brake System Control 2 (BSCM 2))

Customer Complaint/Technician Observation: Technician finds C0044-00 set after recent service work.

Discussion: Diagnostics for C0044-00 are in the process of being updated. **Do** follow the currently published diagnostics- they are correct. At the final step, additional information will be added to the BSCM2 replacement. The BSCM2 is serviced as 2 components- the module and hydraulic control unit. If the diagnostics lead to BSCM2 replacement, both components require to be ordered and replaced at the same time (module and hydraulic unit). Do not disassemble the original BSCM2 so it can be returned as an assembly.



BSCM2

This document does not authorize warranty repairs. This communication documents a record of past experiences. STAR Online does not provide any conclusions about what is wrong with the vehicle. Rather, it captures all previous cases known that appear to be similar or related to the vehicle symptom / condition. You are the expert, and you are responsible for deciding on the appropriate course of action.

Contact STAR Center, or your Technical Assistance Center Via TechConnect, eCONTACT or Service Library entry if no solution is found.



STAR ONLINE PUBLICATION



Order And replace both items 1 and 2 if directed to replace the BSCM2 by diagnostics

This document does not authorize warranty repairs. This communication documents a record of past experiences. STAR Online does not provide any conclusions about what is wrong with the vehicle. Rather, it captures all previous cases known that appear to be similar or related to the vehicle symptom / condition. You are the expert, and you are responsible for deciding on the appropriate course of action.

Contact STAR Center, or your Technical Assistance Center Via TechConnect, eCONTACT or Service Library entry if no solution is found.