

SportDesign Package, E3

Assembly

Cause: **Retrofitting**

Model Year: **As of 2024**

Note: The SportDesign package comprises an independent SportDesign front apron painted in exterior color, an independent SportDesign rear apron and sculpted wheel arch extensions painted in exterior color. Including side skirts painted in exterior color.

The relevant legal regulations must be observed in the various countries.

The Porsche logo and part numbers are only visible when parts are removed.



Information

Please pass all this information on to the customer.

Also give the customer a copy of the first pages of these Installation and Conversion Instructions, including the legal regulations.

Parts list:



Information

The scope of parts can vary in the different complete packages and can therefore differ from the lists of parts shown here. Dispose of parts that are not needed.

Important: No roof spoiler is provided for the Cayenne Coupé.

Parts list:

**Information**

The scope of parts can vary in the different complete packages and can therefore differ from the lists of parts shown here. Dispose of parts that are not needed.

Important: No roof spoiler is provided for the Cayenne Coupé.

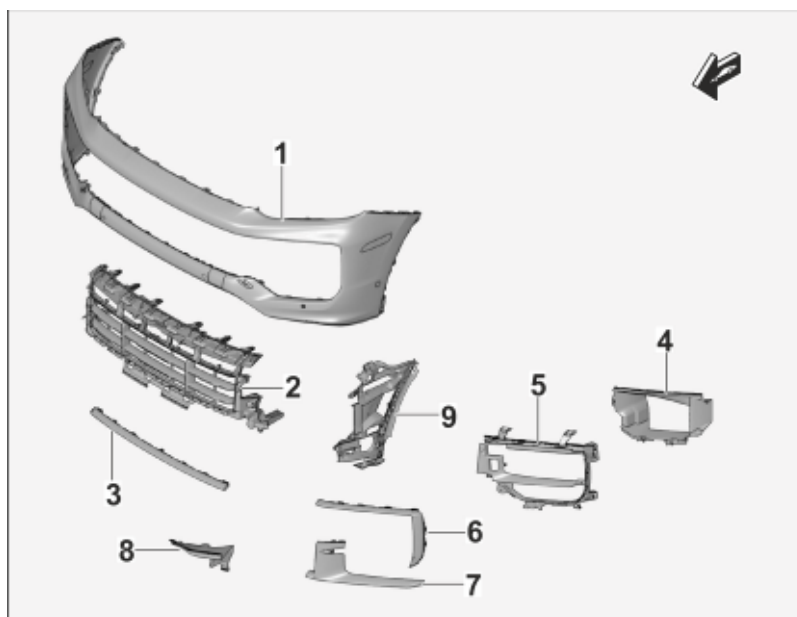
Package Order No.**Vehicle variant Cayenne Basic**

9Y0.044.881	1 x	SportDesign package E3II NAR with parking aid 7X2, with ACC 8T8 without 1D6 AZV
9Y0.044.881.A	1 x	SportDesign package, E3II NAR with ParkAssist 7X5, with ACC 8T8 without 1D6 AZV
9Y0.044.881.B	1 x	SportDesign package E3II NAR with parking aid 7X2, with ACC 8T8 with 1D6 AZV
9Y0.044.881.C	1 x	SportDesign package, E3II NAR with ParkAssist 7X5, with ACC 8T8 with 1D6 AZV
9Y0.044.881.D	1 x	SportDesign package E3II NAR with parking aid 7X2, with GRA 8T1 without 1D6 AZV
9Y0.044.881.E	1 x	SportDesign package, E3II NAR with ParkAssist 7X5, with GRA 8T1 without 1D6 AZV
9Y0.044.881.F	1 x	SportDesign package E3II NAR with parking aid 7X2, with GRA 8T1 with 1D6 AZV
9Y0.044.881.G	1 x	SportDesign package, E3II NAR with ParkAssist 7X5, with GRA 8T1 with 1D6 AZV

Package Order No.**Vehicle variant Cayenne Coupé**

9Y0.044.881.J	1 x	SportDesign package, E3II Coupé NAR with ParkAssist 7X5, with ACC 8T8 without 1D6 AZV
9Y0.044.881.K	1 x	SportDesign package E3II Coupé NAR with parking aid 7X2, with ACC 8T8 with 1D6 AZV
9Y0.044.881.L	1 x	SportDesign package, E3II Coupé with ParkAssist 7X5, with ACC 8T8 with 1D6 AZV
9Y0.044.881.M	1 x	SportDesign package E3II Coupé NAR with parking aid 7X2, with GRA 8T1 without 1D6 AZV
9Y0.044.881.N	1 x	SportDesign package, E3II Coupé NAR with ParkAssist 7X5, with GRA 8T1 without 1D6 AZV
9Y0.044.881.P	1 x	SportDesign package E3II Coupé NAR with parking aid 7X2, with GRA 8T1 with 1D6 AZV
9Y0.044.881.R	1 x	SportDesign package, E3II Coupé NAR with ParkAssist 7X5, with GRA 8T1 with 1D6 AZV

Important: The following parts are **included** in the basic package (see above) and do **not** have to be ordered. **The following parts lists are provided for overview purposes only! Part numbers can vary depending on country, package and Coupé variant.**



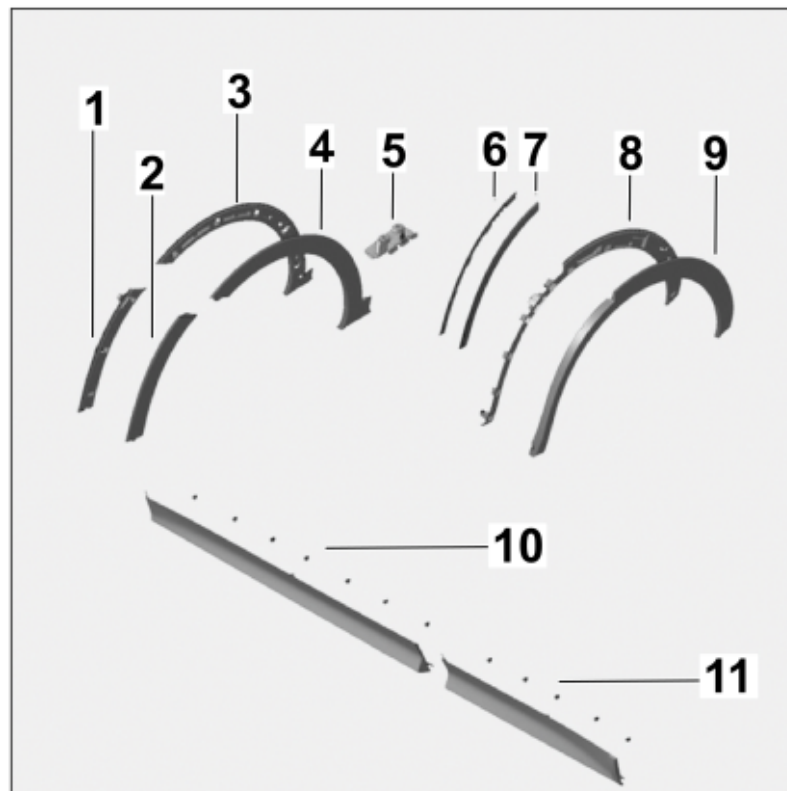
Scope of front apron

Scope of front apron

Cayenne and Cayenne Coupé

9Y0.807.217.AH.G2X	1 x	Bumper cover for vehicles with parking aid 7X2 ready-primed
9Y0.807.217.AK.G2X	1 x	Bumper cover for vehicles with parking aid and ParkAssist 7X5 ready-primed
9Y0.807.217.AJ.G2X	1 x	Bumper cover for vehicles with parking aid 7X2 ready-primed, side marker and brake lights 8F5
9Y0.807.217.AL.G2X	1 x	Bumper cover for vehicles with parking aid and ParkAssist 7X5 ready-primed, side marker and brake lights 8F5
9Y0.807.683.BC.041	1 x	Central grille high-gloss black 8T1, 8T6 ⇒ <i>Scope of front apron -1-</i>
9Y0.807.683.BD.041	1 x	Central black high-gloss grille ACC 3V1, 3V2, 8T3, 8T8 ⇒ <i>Scope of front apron -2-</i>
9Y0.807.218.G2X	1 x	Center cover ready-primed ⇒ <i>Scope of front apron -3-</i>
Depending on engine variant	2 x	Air guide left and right ⇒ <i>Scope of front apron -4-</i>
9Y0.807.681.F.OK1	1 x	Bumper grille matt black front left side ⇒ <i>Scope of front apron -5-</i>
9Y0.807.682.F.OK1	1 x	Bumper grille matt black front right side ⇒ <i>Scope of front apron -5-</i>
9Y0.807.685.G.041	1 x	Left vane, high-gloss black ⇒ <i>Scope of front apron -6-</i>
9Y0.807.686.G.041	1 x	Right vane, high-gloss black ⇒ <i>Scope of front apron -6-</i>
9Y0.807.795.J.G2X	1 x	Left cover, ready-primed ⇒ <i>Scope of front apron -7-</i>
9Y0.807.796.J.G2X	1 x	Right cover, ready-primed ⇒ <i>Scope of front apron -7-</i>

Depending on engine variant	2 x	Air guide left and right ⇒ <i>Scope of front apron -8-</i>
9Y0.807.177.J	1 x	Guide for left bumper ⇒ <i>Scope of front apron -9-</i>
9Y0.807.287.BD.OK1	1 x	NAR licence plate carrier



Wheel arch trims

Items ⇒ Wheel arch trims -1, 3 and 8-are supplied fitted on the wheel covers. Item ⇒ Wheel arch trims -5-is fitted on the vehicle and must not be replaced.

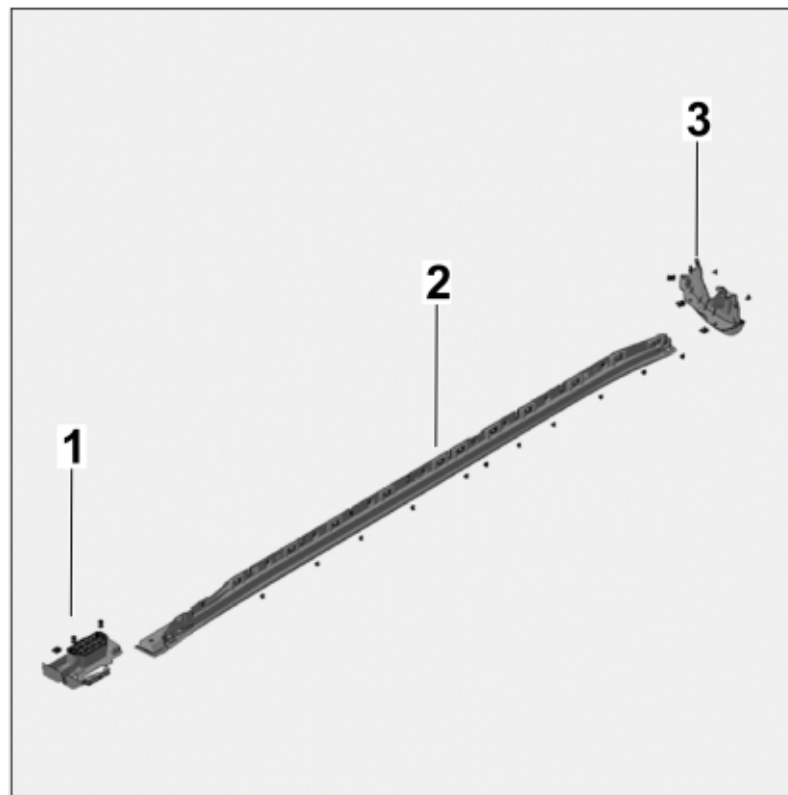
Scope of wheel arch trims / door trim panels

Cayenne and Cayenne

Coupé

9Y0.853.717.N G2X	1 x	Wheel cover, front left ⇒ <i>Wheel arch trims -2-</i>
9Y0.853.718.N G2X	1 x	Wheel cover, front right ⇒ <i>Wheel arch trims -2-</i>
9Y0.853.817.D G2X	1 x	Wheel cover, front, rear left ⇒ <i>Wheel arch trims -4-</i>
9Y0.853.818.D G2X	1 x	Wheel cover, front, rear right ⇒ <i>Wheel arch trims -4-</i>
9Y0.854.827 G2X	1 x	Wheel cover at door, rear left ⇒ <i>Wheel arch trims -7-</i>
9Y0.854.828 G2X	1 x	Wheel cover at door, rear right ⇒ <i>Wheel arch trims -7-</i>
9Y0.854.731.P G2X	1 x	Wheel cover, rear left ⇒ <i>Wheel arch trims -9-</i>
9Y0.854.732.P G2X	1 x	Wheel cover, rear right ⇒ <i>Wheel arch trims -9-</i>

9Y0.837.095.EY.G2X	1 x	Door trim panels, front left ⇒ <i>Side skirt -10-</i>
9Y0.839.095.EY.G2X	1 x	Door trim panels, rear left ⇒ <i>Side skirt -11-</i>
9Y0.837.096.EY.G2X	1 x	Door trim panels, front right ⇒ <i>Side skirt -10-</i>
9Y0.839.096.EY.G2X	1 x	Door trim panels, rear right ⇒ <i>Side skirt -11-</i>
-	2 x	Front left and right support (already installed on the wheel arch trim) ⇒ <i>Wheel arch trims -1-</i>
-	2 x	Front rear left and right support (already installed on the wheel arch trim) ⇒ <i>Wheel arch trims -3-</i>
-	2 x	Rear left and right support (already installed on the wheel arch trim) ⇒ <i>Wheel arch trims -8-</i>



Side skirt

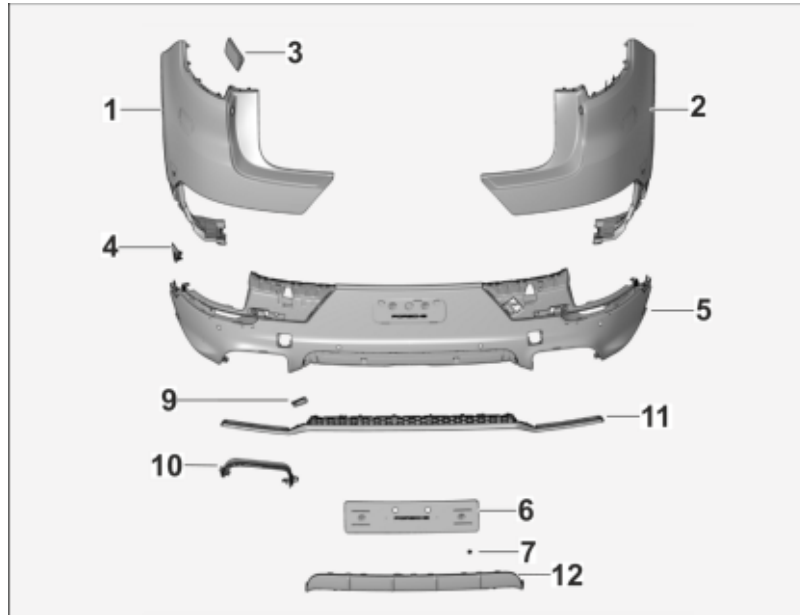
Scope of door entry guards

Cayenne / Cayenne Coupé

9Y0.853.857.C G2X /	2 x	Door entry guard, left and right, ready-primed ⇒ <i>Side skirt -2-</i>
9Y0.853.858.C G2X		
N 10321002	20 x	Screws, micro-self-locking
—		Part ⇒ <i>Side skirt -1-</i> and ⇒ <i>Side skirt -3-</i> is not required

**Information**

Carry-over parts listed in the parts list are parts that are removed from the installed rear apron and installed on the new SDP spoiler/rear skirt and are not included in the scope of delivery.



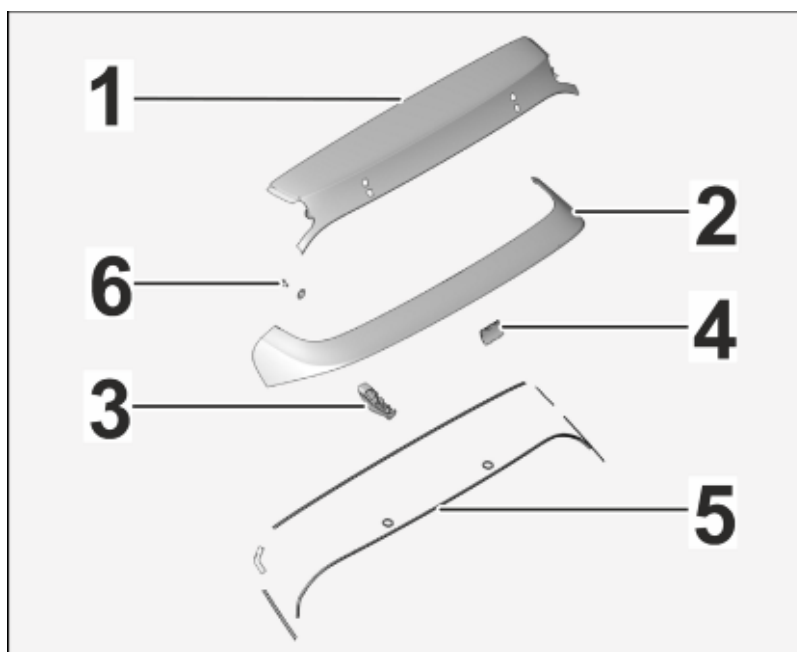
Rear bumper

Scope of rear apron

Cayenne / Cayenne Coupé

9Y0.807.417.H G2X / 9Y3807417D G2X	1 x	Rear left trim panel 7X2 ⇒ <i>Rear bumper -1-</i>
9Y0.807.417.J G2X / 9Y3.807.417.E G2X	1 x	Rear left trim panel 7X5 ⇒ <i>Rear bumper -1-</i>
9Y0.807.418 G2X / 9Y3.807.418.D G2X	1 x	Rear right trim panel 7X2 ⇒ <i>Rear bumper -2-</i>
9Y0.807.418.A G2X / 9Y3.807.418.E G2X	1 x	Rear right trim panel 7X5 ⇒ <i>Rear bumper -2-</i>
9Y0.807.543.E G2X / 9Y3.807.543.BD.G2X	1 x	USA / Canada rear end section ⇒ <i>Rear bumper -5 and 8-</i>
9Y0.807.139.A 1E0 / 9Y0.807.140.A 1E0	1 x	Left and right ultrasonic sensor holder 7X5 ⇒ <i>Rear bumper -4-</i>
958.962.283.00	1 x	Tailgate opening control unit holder ⇒ <i>Rear bumper -3-</i>
9Y0.807.834.AP.041	1 x	Lower trim panel without AZV 1D0, 1D7, 1D8 high-gloss black ⇒ <i>Rear bumper -12-</i>
9Y0.807.834.AM.041	1 x	Lower trim panel AZV 1D3 high-gloss black ⇒ <i>Rear bumper -12-</i>
9Y0.807.834.AN.041	1 x	Lower trim USA AZV 1D6 high-gloss black ⇒ <i>Rear bumper -12-</i>

WHT.004.935	2 x	Plastic expansion rivet ⇒ <i>Rear bumper -7-</i>
9Y0.807.837.A OK1 / 9Y0.807.838.A OK1	1 x	Top left and right exhaust system trim, matt black ⇒ <i>Rear bumper -10-</i>
9Y0.825.715.A / 9Y0.825.716.A	1 x	Holder for left and right trim (heat protection) ⇒ <i>Rear bumper -9-</i>
N 908.550.01	4 x	Blind rivet 3.2 x 6.5 for heat protection at left and right
9Y0.807.649 OK1	1 x	Lower cover, matt black 1D0, 1D3, 1D7, 1D8 ⇒ <i>Rear bumper -11-</i>
9Y0.807.649.B OK1	1 x	Lower cover, matt black 1D6 USA at left ⇒ <i>Rear bumper -11-</i>
9Y0.807.650.B OK1	1 x	Lower cover, matt black 1D6 USA at right ⇒ <i>Rear bumper -11-</i>
Transfer part	1 x	Licence plate carrier ⇒ <i>Rear bumper -6-</i>



Scope of roof spoiler

Scope of roof spoiler, does not apply to the coupé

9Y0.898.502 G2X	1 x	Rear spoiler, ready-primed ⇒ <i>Scope of roof spoiler -1-</i>
9Y0.898.501 G2X	1 x	Upper part of rear spoiler, ready-primed ⇒ <i>Scope of roof spoiler -2-</i>
9Y0.898.511 G2X / 9Y0.898.512 G2X	1 x	Rear spoiler trim for left / right repair kit ⇒ <i>Scope of roof spoiler -3-</i>
9Y0.898.513 G2X	1 x	Maintenance flap for trims set, ready-primed ⇒ <i>Scope of roof spoiler -4-</i>
9Y0.898.003.B	1 x	Rear spoiler sealing set ⇒ <i>Scope of roof spoiler -5-</i>
N 104.065.04	8 x	Screws ⇒ <i>Scope of roof spoiler -6-</i>

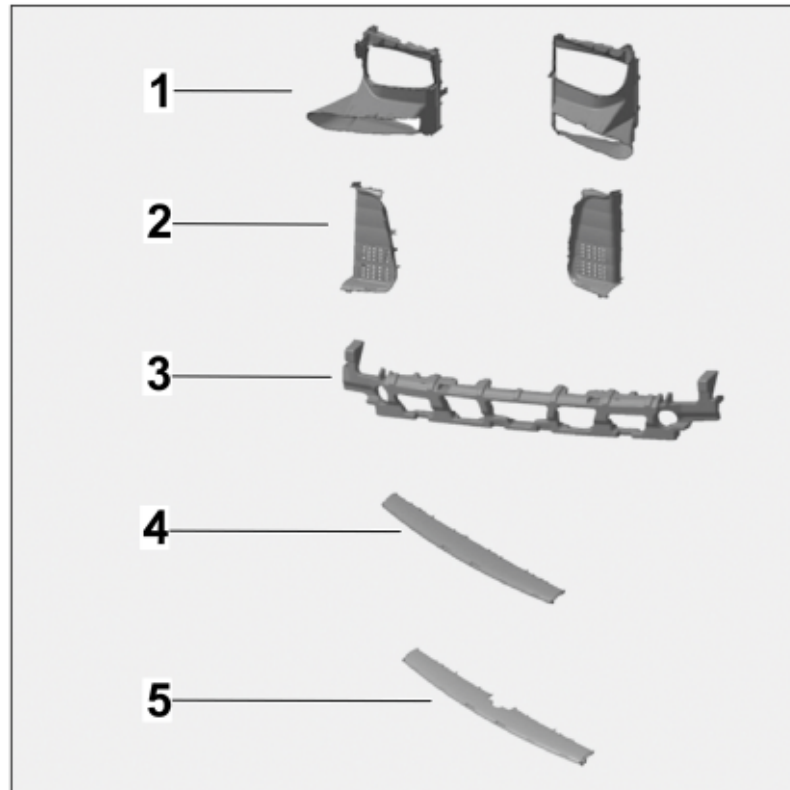


Figure 6

Scope of air guides ⇒ *Figure 6 -1 and 2-*

Depending on engine variant and equipment

Scope of sound absorber for bumper ⇒ *Figure 6 -3-*

Is not required, transfer part

Scope of center air guides

9Y0.121.710.G OK1

1 x

Center air guide ⇒ *Figure 6 -5-*
and ⇒ *Figure 6 -4-*

Equipment variant

Without ACC

9Y0.121.710.K OK1

1 x

Center air guide ⇒ *Figure 6 -5-*
and ⇒ *Figure 6 -4-*

With ACC

Assembly:



Information

- Some of the repair illustrations show only one side of the vehicle or a similar component.
- Naturally, some steps also have to be performed on the opposite side of the vehicle as well.



Information

The number of electric plug connections and clips will vary depending on equipment.

NOTICE

Painting components

- Risk of warping of components
 - Risk of damage to components
- ⇒ Observe the guidelines and instructions for painting components in the Paint Manual.
- ⇒ Always place parts without tension on the painting devices provided during painting and drying processes.

NOTICE

Voltage drop

- Irreparable damage to control unit
 - Damage to control unit
 - Fault entries in the control unit
 - Control unit programming/coding is aborted
 - Malfunctions in the control unit, even during programming/coding
- ⇒ Switch off ignition before disconnecting the control unit.
- ⇒ Make sure that the power supply is not interrupted during programming/coding.
- ⇒ Connect the battery charger with at least current 90 A to the vehicle battery.

- 1 Raise the vehicle. ⇒ *Workshop Manual 'Raise the vehicle'*
- 2 Connect battery charger. ⇒ *Workshop Manual 'Charge battery and vehicle electrical system'*

3 Paint work / Installing front apron

Paint all ready-primed parts to match the vehicle's color code in accordance with instructions in the Paint Workshop Manual. Paint the following parts in vehicle color:

Front apron, front spoiler on bumper, towing lug covers, outer PLA holder (if Porsche Steering Assist (PLA) is installed)

- 3.1 Disassemble and assemble front apron.
 - 3.1.1 Replace front apron ⇒ *Workshop Manual 'Replace front apron (SportDesign Package)'*. After removing the standard front apron, replace air guides for radiator, charge-air cooler and sound absorber on bumper (see 3.1.2 and 3.1.3).
 - 3.1.2 Replace air guide for radiator with the supplied radiator guides ⇒ *Workshop Manual 'Removing and installing air guide'* Also replace sound absorber on bumper with the supplied new sound absorber ⇒ *Figure 6 -3-* and side air guides ⇒ *Figure 6 -2-*.

4 Paint work / Installing wheel covers and door trim panels

Paint all ready-primed parts to match the vehicle's color code in accordance with instructions in the Paint Workshop Manual. Paint the following parts in vehicle color:

Door trim panels, wheel covers, door covers

- 4.1 Remove and install door trim panels and wheel arch trims ⇒ *Side skirt*.
- 4.1.1 Replace door trim panels at the front ⇒ *Workshop Manual 'Removing and installing trim panel for front door'* and rear ⇒ *Workshop Manual 'Removing and installing rear door trim'*.
- 4.1.2 Front wheel covers ⇒ *Workshop Manual 'Replace front wheel covers (SportDesign)'* and rear ⇒ *Workshop Manual 'Replace rear wheel cover (SportDesign)'*.
- 4.1.3 Fit extended wheel arch trims
⇒ *Assembly of wheel arch trims (illustration may be different)* at the rear left and right doors.
- 4.1.4 Carefully clean the bonding surface on the left and right doors and remove all grease using a suitable cleaner.
- 4.1.5 Remove protective film from the bonding surface on the wheel cover
⇒ *Assembly of wheel arch trims (illustration may be different)*.
- 4.1.6 Fit wheel cover at the door so that it is flush and looks right ⇒ *Assembly of wheel arch trims (illustration may be different)*.



Assembly of wheel arch trims (illustration may be different)

5 Paint work / Installing door entry guards

Paint all ready-primed parts to match the vehicle's color code in accordance with instructions in the Paint Workshop Manual. Paint the following parts in vehicle color:

Door entry guards

- 5.1 Remove and install door entry guards.
- 5.1.1 Replace door entry guards ⇒ *Workshop Manual 'Removing and installing door entry guard'*.

6 Paint work / Installing rear apron

Paint all ready-primed parts to match the vehicle's color code in accordance with instructions in the Paint Workshop Manual. Paint the following parts in vehicle color:

PDC spoiler / rear skirt. Please note: ⇒ *Workshop Manual 'Instructions for painting rear bumper (vehicles with Lane Change Assist)'*

- 6.1 Remove and install PDC spoiler and rear panel.
 - 6.1.1 Remove and install rear apron ⇒ *Workshop Manual 'Removing and installing rear apron'*.
 - 6.1.2 Replace side guides. Carry out this step in conjunction with Step 6.1.3.
 - 6.1.3 Remove and install PDC spoiler / rear skirt ⇒ *Workshop Manual 'Removing and installing rear skirt'*.
 - 6.1.4 Remove and install rear panel ⇒ *Workshop Manual 'Removing and installing rear panel'*. For vehicles with trailer hitch, RoW and USA (I-No. 1D3, 1D7, 1D8, 1D9): Install "open" panel.
 - 6.1.5 Remove and install rear panel moulding ⇒ *Workshop Manual 'Removing and installing rear panel (moulding)'*.
 - 6.1.6 For vehicles with Lane Change Assist (I-No. 7Y1, 7Y2, 7Y3, 7Y4), continue with Step 6.1.4.
 - 6.1.7 Calibrate Lane Change Assist ⇒ *Workshop Manual 'Calibrating Lane Change Assist'*.

7 Paint work / roof spoiler assembly. Roof spoiler for Cayenne Coupé not available

Paint all ready-primed parts to match the vehicle's color code in accordance with instructions in the Paint Workshop Manual. Paint the following parts in vehicle color:

Roof spoiler, roof spoiler brackets at the left and right

- 7.1 Disassemble and assemble roof spoiler.
 - 7.1.1 Remove and install roof spoiler ⇒ *Workshop Manual 'Removing and installing rear spoiler'*.
 - 7.1.2 Disassemble and assemble roof spoiler ⇒ *Workshop Manual 'Replacing rear spoiler'*. Fit double-sided adhesive strips at the required positions. **Tightening torque for screws securing wing mounting to roof section (8x): 7.5 Nm (5.5 ftlb.)**
- 8 Code SportDesign package.
 - 8.1 **P90999 - PIWIS Tester 4** must be connected and the ignition switched on. 8.2
Select "Diagnostics". **P90999 - PIWIS Tester 4** detects the model range.
Press **Next**. PIWIS Tester IIII Diagnostics starts.
 - 8.3 Maintenance of vehicle data.
 - 8.3.1 Select **Additional menu** by pressing **F7** . Confirm question "Create vehicle analysis log (VAL)?" by pressing **F11** .
 - 8.3.2 Select the **Maintenance of vehicle data** function. Press **F12** until PR numbers appear in the Value group column.
 - 8.3.3 Select **Trim CD value** in the Family column. When you touch the cell behind Trim CD value, the drop-down menu opens.

Select the value **2D5 - SportDesign package**.

Press **F12** to change values.

8.3.4 The selected values appear. Press **F8** to write values. Wait until the following message appears: **Generation of vehicle data is complete. With**

Press **F11** to switch to the control unit overview.

8.4 Adapt coding.

8.4.1 Select all control units by pressing **Ctrl A** . Press **F12** to continue.

8.4.2 Switch to the **Coding/programming** menu. Press **F12** to continue.

Select **Automatic coding** mode. Press **F12** to continue.

8.4.3 Wait until the following message appears: **Coding was completed successfully**. Press **F12** to continue.

Press **F12** to return to the **Overview** menu.

8.5 Switch off the ignition and disconnect **P90999 - PIWIS Tester 4**.

8.6 Disconnect the battery charger.

66992320:	SportDesign package completely installed Includes: Replace front bumper and rear bumper. Replace door entry guards, replace door trim panels and replace wheel arch trims. Replace air guides and replace sound insulation for bumper. Without: Calibrate Lane Change Assist.	Labor time: 742 TU
66585500:	Replacing roof spoiler Includes: Removing and installing roof spoiler, disassembling and assembling roof spoiler	Labor time: 76 TU
66586161:	Painting new roof spoiler part Includes: Roof spoilers and brackets Body paint finish prepared	Labor time: 70 TU

- 66992320: SportDesign package completely installed Labor time: **742 TU**
Includes: Replace front bumper and rear bumper.
Replace door entry guards, replace door trim panels and replace wheel arch trims.
Replace air guides and replace sound insulation for bumper.
Without: Calibrate Lane Change Assist.
- 66585500: Replacing roof spoiler Labor time: **76 TU**
Includes: Removing and installing roof spoiler, disassembling and assembling roof spoiler
- 66586161: Painting new roof spoiler part Labor time: **70 TU**
Includes: Roof spoilers and brackets
Body paint finish prepared
- 66996173: All new parts of SportDesign package painted Labor time: **560 TU**
Includes: New paintwork:
Front apron, towing lug cover, front spoiler on bumper, PLA holder, rear apron, towing lug, PDC spoiler, PLA holder, door entry guards, wheel covers, wheel covers at doors, wheel arch trims, door trim panels
Body paint finish prepared

Important Notice: Technical Bulletins issued by Porsche Cars North America, Inc. are intended only for use by professional automotive technicians who have attended Porsche service training courses. They are written to inform those technicians of conditions that may occur on some Porsche vehicles, or to provide information that could assist in the proper servicing of a vehicle. Porsche special tools may be necessary in order to perform certain operations identified in these bulletins. Use of tools and procedures other than those Porsche recommends in these bulletins may be detrimental to the safe operation of your vehicle, and may endanger the people working on it. Properly trained Porsche technicians have the equipment, tools, safety instructions, and know-how to do the job properly and safely. Part numbers listed in these bulletins are for reference only. The work procedures updated electronically in the Porsche PIWIS diagnostic and testing device take precedence and, in the event of a discrepancy, the work procedures in the PIWIS Tester are the ones that must be followed.

© 2025 Porsche Cars North America, Inc.