

WRG8 - Replacing Coolant Regulator (Workshop Campaign)

Vehicle Type: **Cayenne Turbo S E-Hybrid (9YA / 9YB)**

Model Year: **As of 2019 up to 2022**

Concerns: **Coolant regulator**

Cause: **The actual coolant temperature of the affected vehicles may deviate from the predicted temperature curve during the engine warm-up phase due to a maladjustment of the map-controlled coolant regulator.**

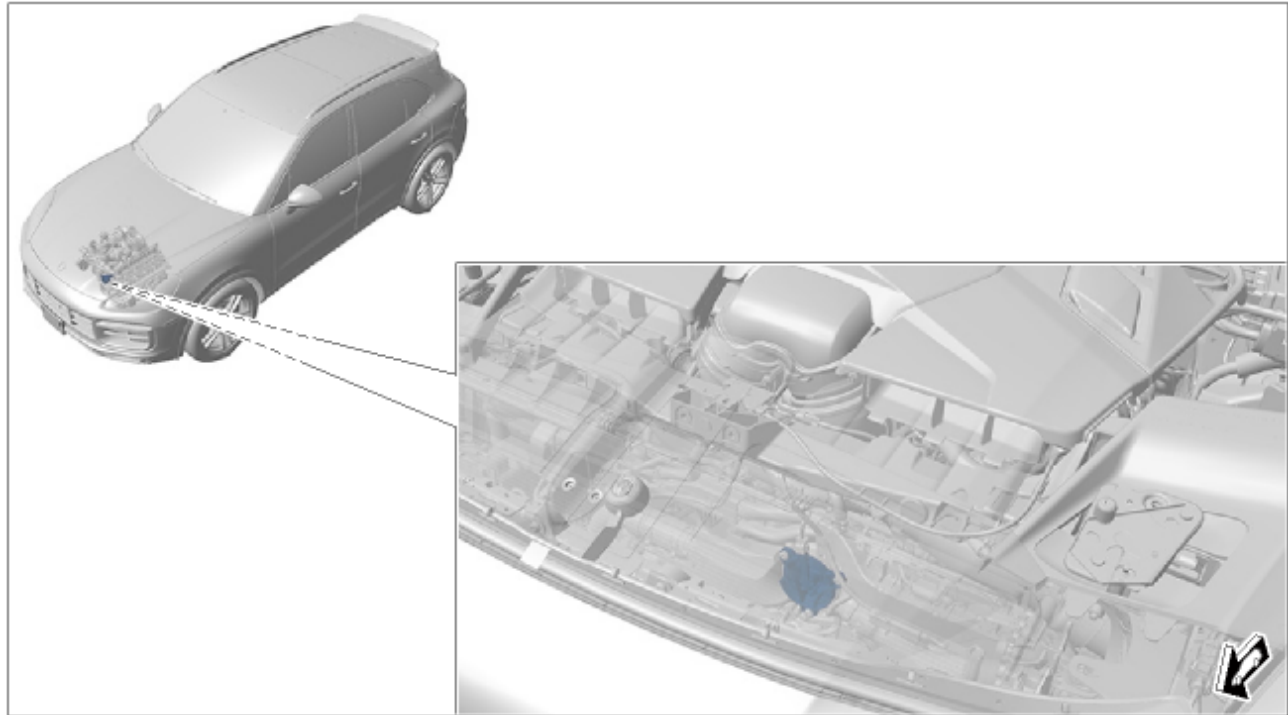
If this is the case, the engine heats up with a delay and the Check Engine light (MIL) is consequently activated.

Action: Replace coolant regulator.

Affected Vehicles: Only vehicles assigned to the campaign (see also PCSS Vehicle Information).

Installation

Position:



Installation position of coolant regulator

Required parts and materials

The **part numbers** of the **required parts and materials** for the respective vehicle can be seen in the **assigned scope**. For an overview of the campaign scopes, see: ⇒ *Technical Information 'Warranty processing'*.

For materials (lubricants) required for carrying out the action, see the corresponding Workshop Manual in PCSS. These lubricants are usually available in the Porsche Center.

Required Tools

- Tools:
- Battery charger with a current rating of **at least 90 A**, e.g., **VAS 5908 - battery charger 90 A**
 - **P90999 - PIWIS Tester 4**
 - Threaded bolts for installing wheel
 - Torque wrench, 2-10 Nm (1.5-7.5 ftlb.), e.g. **V.A.G 1783 - torque wrench, 2-10 Nm (1.5-7.5 ftlb.)**
 - Torque wrench, 6-50 Nm (4.5-37 ftlb.), e.g. **V.A.G 1331A - torque wrench, 6-50 Nm (4.5-37 ftlb.)**
 - Torque wrench, 40-200 Nm (30-148 ftlb.) e.g., **V.A.G 1332A - torque wrench, 40-200 Nm (30-148 ftlb.)**

- **Air conditioning servicing equipment** for refrigerant **R134a** or **R1234yf** recommended by Porsche (depending on the refrigerant used). For recommended service equipment, see the Workshop Equipment and Special Tools Manual.
- **3094 - Hose clamp**
- **9696 - Filling device**
- **VAS 6096/2 - Vacuum pump**
- **VAS 6890 - Spring band clamp pliers**
- **T40357 - Pressure piece(s)**
- **VW771 - Multi-purpose tool**
- **VW771/37 - Extraction tool**
- **VAS 6935 - Pole terminal puller**
- **VAS 6826 - Steering wheel balance**
- **9229/1 - Puller hook**
- **T40183 - Insertion tool**
- **VAS 6918 - Quick-clamping unit**

Additionally required tools for vehicles with hybrid drive system PHEV (m. no. 0K3)

- **T40262 - Locking cap**
- **VAS 6410 - Contact surface cleaning set**
- **VAS 6558A - High-voltage measuring module**
- **VAS 6558/9-7 High-Voltage Test Adapter HVR 40**
- **VAS 6883A - Insulated tool set**

Additionally required tools for vehicles with LED headlights (m. no. 8IT / 8IS)

- **VAS 5208A - Headlights aiming device**

or

- **VAS 5209B - Headlights aiming device**

Additionally required tools for vehicles with LED MATRIX LED headlights (m. no. 8IU / 8JU / 8JT)

- **VAS 5208A - Headlights aiming device**

or

- **VAS 621 001 - Headlight adjusting unit**

Additionally required tools for vehicles with automatic distance control (m. no. 3V1 / 3V2 / 8T3 / 8T8)

- **VAS 6430/1A - Adjustment device with reflector**
- **VAS 6430/3 - Mirrors for adjustment device**

Additionally required tools for vehicles with Night View Assist (m. no. KA6)

- VAS 6350A - Calibration unit

Additionally required tools for vehicles with Intersection Assist (m. no. JX1)

- VAS 6350/2A - Spacing laser
- VAS 6350/4 - Calibration unit for Lane Change Assist

Additionally required tools for vehicles with Real Topview (m. no. KA6)

- VAS 721 001 - Calibration System

Preparatory work

Work Procedure: 1 Isolate high-voltage system from power supply.
⇒ *Workshop Manual '2X00IN Deactivate/Start the HV system'*

Replace coolant regulator

Work Procedure: 1 Replace **previous** coolant regulator with **new** coolant regulator.
For procedure, see:
⇒ *Workshop Manual '195819 Removing and installing coolant regulator (V8 biturbo)'*

- 2 Attach **Recall Proof of Completion label** to the front lid (**California Porsche Centers only**).
Instructions for attaching labels

- Surfaces on which you intend to attach the label must be clean, dry and free from grease and oil residues.
- Before attaching the label, clean the surfaces using a suitable cleaning agent and a clean, grease-free and lint-free cloth.
- This label must not be affixed over existing label.
- Attach label only at the specified positions.

2.1 Fill out the Recall Proof of Completion label
⇒ *Recall Proof of Completion Label* fully and correctly. This includes the recall code "WRG8", your Porsche Center code and the repair date.

2.2 Clean the surface in the lower area on the front lid at the left-hand side in direction of travel at which the Recall Proof of Completion label must be attached ⇒ *Proof of Completion Label: specified position (Exemplary illustration) -arrow-* using a suitable cleaning agent and a clean, grease-free and lint-free cloth.

The diagram shows a vertical rectangular label with rounded corners. At the top, it says "RECALL / CAMPAIGN COMPLETION". Below this are three stacked rectangular boxes. The first box is labeled "RECALL CODE", the second "DEALER CODE", and the third "REPAIR DATE". At the bottom of the label, it says "DO NOT REMOVE".

Recall Proof of Completion Label

- 2.3 Affix Recall Proof of Completion label in the lower area of the front lid at the lefthand side in direction of travel ⇒ *Proof of Completion Label: specified position (Exemplary illustration)* -**arrow**-.
- 2.4 Close front lid.
- 3 Enter the campaign in the Warranty and Maintenance logbook.



Proof of Completion Label: specified position (Exemplary illustration)

Follow-up actions

Work Procedure: 1 Start the high-voltage system.
 ⇒ *Workshop Manual '2X00IN Deactivate/Start the HV system'*

Warranty processing



Information

The specified labor time was determined specifically for carrying out this campaign and include all necessary preliminary and subsequent rework. The labor time may differ from the labor time published in the Labor Operation List in PCSS.

For all scopes:
 (California
 Porsche
 Centers only)

Attach Recall Proof of Completion label and provide signed proof of correction to customer (California Porsche Centers only)		
Required parts:		
PNA EMI 000 00	Label - Recall Proof of Completion	1 ea.
PNA 999 100 235	Certificate - Recall Proof of Correction	1 ea.

*** California Porsche Centers only:**

- For warranty processing, enter the Part No. **PNA EMI 000 00** with the designation "label" as a **local part** at US\$ 0.34 in the warranty claim.
- For warranty processing, enter the Part No. **PNA 999 100 235** with the designation "certificate" as a **local part** at US\$ 0.01 in the warranty claim.

Scope 1:

Replace coolant regulatorApplies to **Cayenne Turbo S E-Hybrid** with the following equipment:

- with automatic distance control ACC (**m. no. 3V1 / 3V2 / 8T3 / 8T8**)
- with Real Topview (**m. no. KA6**)
- with Intersection Assist (**m. no. JX1**)
- with Night View Assist (**m. nr. KA6**)

Labor time:

Replace coolant regulator

Labor time: **1107 TU**

Includes: Measuring vehicle front and rear
 Adjusting distance measuring sensor control unit
 Programming Surround View camera control unit
 Programming infrared camera
 Programming front corner radar control unit
 Replace coolant regulator

Required parts:

Part No.	Designation – Location	Quantity
V04015004BS	Thermostat - Coolant regulator housing	1 piece
9A712168800	Sealing ring - Coolant regulator housing	1 piece

Additional parts required for vehicles with Porsche Dynamic Chassis Control PDCC (m. no. 1P7)

PAF00072900	M8 x 20 hexagon socket head bolt – Front underbody cover	3 pieces
-------------	---	----------

Additional parts required for vehicles with engine protective plate (M-No. 1SF)

N 10082912	Hexagon flange bolt (combination), M6 x 16 – Engine under underbody protection plate	3 pieces
------------	---	----------

9A791194602	Cheese head screw M8 x 20 – Engine under underbody protection plate	5 pieces
Required materials (usually already available in the Porsche Center):		
V04015003P	Coolant additive, 20-liter/ 5.28 gal container	0.03 pieces
WRG80000001 1)	Refrigerant oil SP-A2 (250 ml/ 8.45 fl oz container)	1 piece
WRG80000002 2)	Refrigerant R134a	1 piece
or		
WRG80000003 3)	Refrigerant R1234yf	1 piece
1) For warranty processing, enter the corresponding part number with the designation 'Refrigerant SP-A2' as an external component in the warranty claim; maximum cost: \$6.60		
2) For warranty processing, enter the corresponding part number with the designation 'Refrigerant R134a' as an external component in the warranty claim; maximum cost: \$5.50		
3) For warranty processing, enter the corresponding part number with the designation 'Refrigerant R1234yf' as an external component in the warranty claim; maximum cost: \$16.50		
⇒ Damage number WRG8 066 000 2		

Scope 2:

Replace coolant regulator

Applies to **Cayenne Turbo S E-Hybrid** with the following equipment:

- with automatic distance control ACC (**m. no. 3V1 / 3V2 / 8T3 / 8T8**)
- with Real Topview (**m. no. KA6**)
- without Intersection Assist (**m. no. JX1**)
- with Night View Assist (**m. nr. KA6**)

Labor time:		
Replace coolant regulator		Labor time: 1045 TU
Includes:	Measuring vehicle front and rear Adjusting distance measuring sensor control unit Programming Surround View camera control unit Programming infrared camera Replace coolant regulator	
Required parts:		
Part No.	Designation – Location	Quantity

V04015004BS	Thermostat - Coolant regulator housing	1 piece
9A712168800	Sealing ring - Coolant regulator housing	1 piece
Additional parts required for vehicles with Porsche Dynamic Chassis Control PDCC (m. no. 1P7)		
PAF00072900	M8 x 20 hexagon socket head bolt – Front underbody cover	3 pieces
Additional parts required for vehicles with engine protective plate (M-No. 1SF)		
N 10082912	Hexagon flange bolt (combination), M6 x 16 – Engine under underbody protection plate	3 pieces
9A791194602	Cheese head screw M8 x 20 – Engine under underbody protection plate	5 pieces
Required materials (usually already available in the Porsche Center):		
V04015003P	Coolant additive, 20-liter/ 5.28 gal container	0.03 pieces
WRG80000001 1)	Refrigerant oil SP-A2 (250 ml/ 8.45 fl oz container)	1 piece
WRG80000002 2)	Refrigerant R134a	1 piece
or		
WRG80000003 3)	Refrigerant R1234yf	1 piece
1) For warranty processing, enter the corresponding part number with the designation 'Refrigerant SP-A2' as an external component in the warranty claim; maximum cost: \$6.60		
2) For warranty processing, enter the corresponding part number with the designation 'Refrigerant R134a' as an external component in the warranty claim; maximum cost: \$5.50		
3) For warranty processing, enter the corresponding part number with the designation 'Refrigerant R1234yf' as an external component in the warranty claim; maximum cost: \$16.50		
⇒ Damage number WRG8 066 000 2		

Scope 3: **Replace coolant regulator**Applies to **Cayenne Turbo S E-Hybrid** with the following equipment:

- with automatic distance control ACC (**m. no. 3V1 / 3V2 / 8T3 / 8T8**)
- with Real Topview (**m. no. KA6**)
- without Intersection Assist (**m. no. JX1**)
- without Night View Assist (**m. no. KA6**)

Labor time:

Replace coolant regulator

Labor time: **1034 TU**

- Includes:
- Measuring vehicle front and rear
 - Adjusting distance measuring sensor control unit
 - Programming Surround View camera control unit
 - Replace coolant regulator

Required parts:

Part No.	Designation - Location	Quantity
V04015004BS	Thermostat - Coolant regulator housing	1 piece
9A712168800	Sealing ring - Coolant regulator housing	1 piece

Additional parts required for vehicles with Porsche Dynamic Chassis Control PDCC (m. no. 1P7)

PAF00072900	M8 x 20 hexagon socket head bolt - Front underbody cover	3 pieces
-------------	---	----------

Additional parts required for vehicles with engine protective plate (M-No. 1SF)

N 10082912	Hexagon flange bolt (combination), M6 x 16 - Engine under underbody protection plate	3 pieces
9A791194602	Cheese head screw M8 x 20 - Engine under underbody protection plate	5 pieces

Required materials (usually already available in the Porsche Center):

V04015003P	Coolant additive, 20-liter/ 5.28 gal container	0.03 pieces
WRG80000001 1)	Refrigerant oil SP-A2 (250 ml/ 8.45 fl oz container)	1 piece
WRG80000002 2)	Refrigerant R134a	1 piece
or		
WRG80000003 3)	Refrigerant R1234yf	1 piece

- 1) For warranty processing, enter the corresponding part number with the designation 'Refrigerant SP-A2' **as an external component** in the warranty claim; maximum cost: \$6.60
- 2) For warranty processing, enter the corresponding part number with the designation 'Refrigerant R134a' **as an external component** in the warranty claim; maximum cost: \$5.50
- 3) For warranty processing, enter the corresponding part number with the designation 'Refrigerant R1234yf' **as an external component** in the warranty claim; maximum cost: \$16.50
- ⇒ **Damage number WRG8 066 000 2**

Scope 4: **Replace coolant regulator**

Applies to **Cayenne Turbo S E-Hybrid** with the following equipment:

- with automatic distance control ACC (**m. no. 3V1 / 3V2 / 8T3 / 8T8**)
- without Real Topview (**m. no. KA6**)
- with Intersection Assist (**m. no. JX1**)
- with Night View Assist (**m. nr. KA6**)

Labor time:

Replace coolant regulator

Labor time: **1085 TU**

Includes: Measuring vehicle front and rear
Adjusting distance measuring sensor control unit
Programming infrared camera
Programming front corner radar control unit
Replace coolant regulator

Required parts:

Part No.	Designation – Location	Quantity
V04015004BS	Thermostat - Coolant regulator housing	1 piece
9A712168800	Sealing ring - Coolant regulator housing	1 piece

Additional parts required for vehicles with Porsche Dynamic Chassis Control PDCC (m. no. 1P7)

PAF00072900	M8 x 20 hexagon socket head bolt – Front underbody cover	3 pieces
-------------	---	----------

Additional parts required for vehicles with engine protective plate (M-No. 1SF)

N 10082912	Hexagon flange bolt (combination), M6 x 16 – Engine under underbody protection plate	3 pieces
9A791194602	Cheese head screw M8 x 20 – Engine under underbody protection plate	5 pieces

Required materials (usually already available in the Porsche Center):

V04015003P	Coolant additive, 20-liter/ 5.28 gal container	0.03 pieces
WRG80000001 1)	Refrigerant oil SP-A2 (250 ml/ 8.45 fl oz container)	1 piece
WRG80000002 2)	Refrigerant R134a	1 piece
or		
WRG80000003 3)	Refrigerant R1234yf	1 piece

1) For warranty processing, enter the corresponding part number with the designation 'Refrigerant SP-A2' **as an external component** in the warranty claim; maximum cost: \$6.60

2) For warranty processing, enter the corresponding part number with the designation 'Refrigerant R134a' **as an external component** in the warranty claim; maximum cost: \$5.50

3) For warranty processing, enter the corresponding part number with the designation 'Refrigerant R1234yf' **as an external component** in the warranty claim; maximum cost: \$16.50

⇒ **Damage number WRG8 066 000 2**

Scope 5:

Replace coolant regulator

Applies to **Cayenne Turbo S E-Hybrid** with the following equipment:

- with automatic distance control ACC (**m. no. 3V1 / 3V2 / 8T3 / 8T8**)
- without Real Topview (**m. no. KA6**)
- without Intersection Assist (**m. no. JX1**)
- without Night View Assist (**m. no. KA6**)

Labor time:

Replace coolant regulator	Labor time: 1001 TU
Includes:	Measuring vehicle front and rear
	Adjusting distance measuring sensor control unit
	Replace coolant regulator

Required parts:

Part No.	Designation - Location	Quantity
V04015004BS	Thermostat - Coolant regulator housing	1 piece
9A712168800	Sealing ring - Coolant regulator housing	1 piece

Additional parts required for vehicles with Porsche Dynamic Chassis Control PDCC (m. no. 1P7)

PAF00072900	M8 x 20 hexagon socket head bolt – Front underbody cover	3 pieces
-------------	---	----------

Additional parts required for vehicles with engine protective plate (M-No. 1SF)

N 10082912	Hexagon flange bolt (combination), M6 x 16 – Engine under underbody protection plate	3 pieces
9A791194602	Cheese head screw M8 x 20 – Engine under underbody protection plate	5 pieces

Required materials (usually already available in the Porsche Center):

V04015003P	Coolant additive, 20-liter/ 5.28 gal container	0.03 pieces
WRG80000001 1)	Refrigerant oil SP-A2 (250 ml/ 8.45 fl oz container)	1 piece
WRG80000002 2)	Refrigerant R134a	1 piece
or		
WRG80000003 3)	Refrigerant R1234yf	1 piece

1) For warranty processing, enter the corresponding part number with the designation 'Refrigerant SP-A2' **as an external component** in the warranty claim; maximum cost: \$6.60

2) For warranty processing, enter the corresponding part number with the designation 'Refrigerant R134a' **as an external component** in the warranty claim; maximum cost: \$5.50

3) For warranty processing, enter the corresponding part number with the designation 'Refrigerant R1234yf' **as an external component** in the warranty claim; maximum cost: \$16.50

⇒ **Damage number WRG8 066 000 2**

Scope 6:

Replace coolant regulator

Applies to **Cayenne Turbo S E-Hybrid** with the following equipment:

- without automatic distance control ACC (**m. no. 3V1 / 3V2 / 8T3 / 8T8**)
- with Real Topview (**m. no. KA6**)
- without Intersection Assist (**m. no. JX1**)
- with Night View Assist (**m. nr. KA6**)

Labor time:

Replace coolant regulator

Labor time: **1018 TU**

- Includes:
- Measuring vehicle front and rear
 - Programming Surround View camera control unit
 - Programming infrared camera
 - Replace coolant regulator

Required parts:

Part No.	Designation - Location	Quantity
V04015004BS	Thermostat - Coolant regulator housing	1 piece
9A712168800	Sealing ring - Coolant regulator housing	1 piece

Additional parts required for vehicles with Porsche Dynamic Chassis Control PDCC (m. no. 1P7)

PAF00072900	M8 x 20 hexagon socket head bolt - Front underbody cover	3 pieces
-------------	---	----------

Additional parts required for vehicles with engine protective plate (M-No. 1SF)

N 10082912	Hexagon flange bolt (combination), M6 x 16 - Engine under underbody protection plate	3 pieces
9A791194602	Cheese head screw M8 x 20 - Engine under underbody protection plate	5 pieces

Required materials (usually already available in the Porsche Center):

V04015003P	Coolant additive, 20-liter/ 5.28 gal container	0.03 pieces
WRG80000001 1)	Refrigerant oil SP-A2 (250 ml/ 8.45 fl oz container)	1 piece
WRG80000002 2)	Refrigerant R134a	1 piece
or		
WRG80000003 3)	Refrigerant R1234yf	1 piece

- 1) For warranty processing, enter the corresponding part number with the designation 'Refrigerant SP-A2' **as an external component** in the warranty claim; maximum cost: \$6.60
- 2) For warranty processing, enter the corresponding part number with the designation 'Refrigerant R134a' **as an external component** in the warranty claim; maximum cost: \$5.50
- 3) For warranty processing, enter the corresponding part number with the designation 'Refrigerant R1234yf' **as an external component** in the warranty claim; maximum cost: \$16.50
- ⇒ **Damage number WRG8 066 000 2**

Scope 7:

Replace coolant regulatorApplies to **Cayenne Turbo S E-Hybrid** with the following equipment:

- without automatic distance control ACC (**m. no. 3V1 / 3V2 / 8T3 / 8T8**)
- with Real Topview (**m. no. KA6**)
- without Intersection Assist (**m. no. JX1**)
- without Night View Assist (**m. no. KA6**)

Labor time:

Replace coolant regulator

Labor time: **999 TU**

Includes: Measuring vehicle front and rear
Programming Surround View camera control unit
Replace coolant regulator

Required parts:

Part No.	Designation – Location	Quantity
V04015004BS	Thermostat - Coolant regulator housing	1 piece
9A712168800	Sealing ring - Coolant regulator housing	1 piece

Additional parts required for vehicles with Porsche Dynamic Chassis Control PDCC (m. no. 1P7)

PAF00072900	M8 x 20 hexagon socket head bolt – Front underbody cover	3 pieces
-------------	---	----------

Additional parts required for vehicles with engine protective plate (M-No. 1SF)

N 10082912	Hexagon flange bolt (combination), M6 x 16 – Engine under underbody protection plate	3 pieces
9A791194602	Cheese head screw M8 x 20 – Engine under underbody protection plate	5 pieces

Required materials (usually already available in the Porsche Center):

V04015003P	Coolant additive, 20-liter/ 5.28 gal container	0.03 pieces
WRG80000001 1)	Refrigerant oil SP-A2 (250 ml/ 8.45 fl oz container)	1 piece
WRG80000002 2)	Refrigerant R134a	1 piece
or		
WRG80000003 3)	Refrigerant R1234yf	1 piece

1) For warranty processing, enter the corresponding part number with the designation 'Refrigerant SP-A2' **as an external component** in the warranty claim; maximum cost: \$6.60

2) For warranty processing, enter the corresponding part number with the designation 'Refrigerant R134a' **as an external component** in the warranty claim; maximum cost: \$5.50

3) For warranty processing, enter the corresponding part number with the designation 'Refrigerant R1234yf' **as an external component** in the warranty claim; maximum cost: \$16.50

⇒ **Damage number WRG8 066 000 2**

Scope 8: **Replace coolant regulator**

Applies to **Cayenne Turbo S E-Hybrid** with the following equipment:

- without automatic distance control ACC (**m. no. 3V1 / 3V2 / 8T3 / 8T8**)
- without Real Topview (**m. no. KA6**)
- without Intersection Assist (**m. no. JX1**)
- with Night View Assist (**m. nr. KA6**)

Labor time:

Replace coolant regulator	Labor time: 992 TU
Includes:	Measuring vehicle front and rear
	Programming infrared camera
	Replace coolant regulator

Required parts:

Part No.	Designation - Location	Quantity
V04015004BS	Thermostat - Coolant regulator housing	1 piece
9A712168800	Sealing ring - Coolant regulator housing	1 piece

Additional parts required for vehicles with Porsche Dynamic Chassis Control PDCC (m. no. 1P7)

PAF00072900	M8 x 20 hexagon socket head bolt – Front underbody cover	3 pieces
-------------	---	----------

Additional parts required for vehicles with engine protective plate (M-No. 1SF)

N 10082912	Hexagon flange bolt (combination), M6 x 16 – Engine under underbody protection plate	3 pieces
9A791194602	Cheese head screw M8 x 20 – Engine under underbody protection plate	5 pieces

Required materials (usually already available in the Porsche Center):

V04015003P	Coolant additive, 20-liter/ 5.28 gal container	0.03 pieces
WRG80000001 1)	Refrigerant oil SP-A2 (250 ml/ 8.45 fl oz container)	1 piece
WRG80000002 2)	Refrigerant R134a	1 piece
or		
WRG80000003 3)	Refrigerant R1234yf	1 piece

1) For warranty processing, enter the corresponding part number with the designation 'Refrigerant SP-A2' **as an external component** in the warranty claim; maximum cost: \$6.60

2) For warranty processing, enter the corresponding part number with the designation 'Refrigerant R134a' **as an external component** in the warranty claim; maximum cost: \$5.50

3) For warranty processing, enter the corresponding part number with the designation 'Refrigerant R1234yf' **as an external component** in the warranty claim; maximum cost: \$16.50

⇒ **Damage number WRG8 066 000 2**

Scope 9:

Replace coolant regulator

Applies to **Cayenne Turbo S E-Hybrid** with the following equipment:

- without automatic distance control ACC (**m. no. 3V1 / 3V2 / 8T3 / 8T8**)
- without Real Topview (**m. no. KA6**)
- without Intersection Assist (**m. no. JX1**)
- without Night View Assist (**m. no. KA6**)

Labor time:

Replace coolant regulator
Includes: Replace coolant regulator

Labor time: **905 TU**

Required parts:

Part No.	Designation - Location	Quantity
V04015004BS	Thermostat - Coolant regulator housing	1 piece
9A712168800	Sealing ring - Coolant regulator housing	1 piece

Additional parts required for vehicles with Porsche Dynamic Chassis Control PDCC (m. no. 1P7)

PAF00072900	M8 x 20 hexagon socket head bolt - Front underbody cover	3 pieces
-------------	---	----------

Additional parts required for vehicles with engine protective plate (M-No. 1SF)

N 10082912	Hexagon flange bolt (combination), M6 x 16 - Engine under underbody protection plate	3 pieces
9A791194602	Cheese head screw M8 x 20 - Engine under underbody protection plate	5 pieces

Required materials (usually already available in the Porsche Center):

V04015003P	Coolant additive, 20-liter/ 5.28 gal container	0.03 pieces
WRG80000001 1)	Refrigerant oil SP-A2 (250 ml/ 8.45 fl oz container)	1 piece
WRG80000002 2)	Refrigerant R134a	1 piece
or		
WRG80000003 3)	Refrigerant R1234yf	1 piece

- 1) For warranty processing, enter the corresponding part number with the designation 'Refrigerant SP-A2' **as an external component** in the warranty claim; maximum cost: \$6.60
 - 2) For warranty processing, enter the corresponding part number with the designation 'Refrigerant R134a' **as an external component** in the warranty claim; maximum cost: \$5.50
 - 3) For warranty processing, enter the corresponding part number with the designation 'Refrigerant R1234yf' **as an external component** in the warranty claim; maximum cost: \$16.50
- ⇒ **Damage number WRG8 066 000 2**

Important Notice: Technical Bulletins issued by Porsche Cars North America, Inc. are intended only for use by professional automotive technicians who have attended Porsche service training courses. They are written to inform those technicians of conditions that may occur on some Porsche vehicles, or to provide information that could assist in the proper servicing of a vehicle. Porsche special tools may be necessary in order to perform certain operations identified in these bulletins. Use of tools and procedures other than those Porsche recommends in these bulletins may be detrimental to the safe operation of your vehicle, and may endanger the people working on it. Properly trained Porsche technicians have the equipment, tools, safety instructions, and know-how to do the job properly and safely. Part numbers listed in these bulletins are for reference only. The work procedures updated electronically in the Porsche PIWIS diagnostic and testing device take precedence and, in the event of a discrepancy, the work procedures in the PIWIS Tester are the ones that must be followed.

© 2025 Porsche Cars North America, Inc.