

Bulletin #: AS-65-25		<input type="checkbox"/> Take Note <input checked="" type="checkbox"/> Take Action	
<input type="checkbox"/> Retail Operator	<input type="checkbox"/> Sales Pre-Owned	<input checked="" type="checkbox"/> Business Manager	<input checked="" type="checkbox"/> Parts & Accessories
<input checked="" type="checkbox"/> General Manager	<input type="checkbox"/> Sales New Bike	<input checked="" type="checkbox"/> Service	<input type="checkbox"/> Administration
Name:		Phone Number:	
Title:		Source: Parts Logistics	
Email:			
Date: 8/27/2025		Supersedes: -	

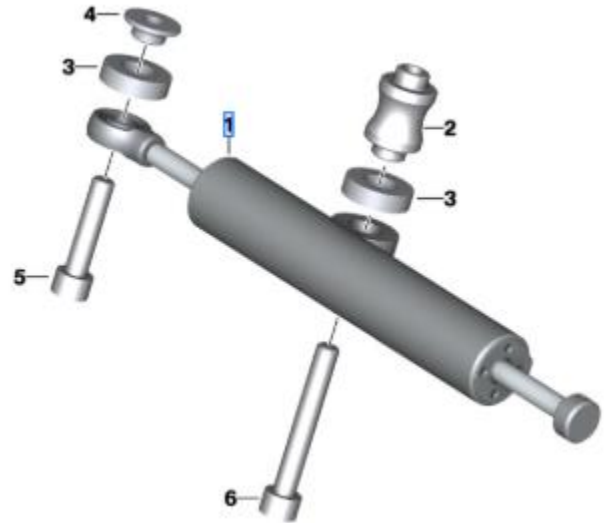
TEC785 STEERING DAMPER

INSPECT OF ALL PARTS ON STOCK

OVERVIEW

BMW AG has requested the inspection of all dealer stock of the part numbers listed below to ensure all parts in stock are returned.

Description	Part Number
Steering Damper	32 76 5 B81 FD3
Steering Damper	32 76 5 B81 FD4



- The image to the right shows the parts as depicted in ETK. Please see under "MORE DETAILS" section for information to determine affected stock to be returned.
- Affected stock must not be sold or installed on any motorcycle.
- Affected is all stock of new spare parts shipped and delivered to date only.
- Please return all incorrect part(s) to your facing Regional Distribution Center (RDC). Submit for return using a YR26 damage claim with order reason BM2. A valid BMW delivery and delivery item number must be entered, and 'TEC785' must appear in the text of your TEC claim. For assistance locating the delivery number, please open an IDS ticket with Dealer Services in the Claims section directed to Returns/Claims/Quality.

MAKE LIFE A RIDE



**BMW
MOTORRAD**

MORE DETAILS

- TEC785 is valid from August 27, 2025, through September 16, 2025. The deadline for filing a claim under TEC785 is September 16, 2025.
- All parts must be returned to your facing RDC no later than September 30, 2025.
- Please re-order as needed.

Affected Parts (NOT OK)	Non Affected Parts (OK)
all parts on stock	

MORE QUESTIONS?

Aftersales Business Development Manager		
Material Planning and Parts Logistics Analyst		

MAKE LIFE A RIDE