



STAR ONLINE PUBLICATION



Case Number: S2523000074

Release Date: August 2025

Symptom/Vehicle Issue: Bolt Positions For The Rear Electric Drive Motor (EDM)

Discussion: Service information is in the process of being updated to include the below information on the bolt locations for the rear EDM. The mounting bolts have unique lengths for each position. See the information below regarding bolt position, paint mark, and size identification.

#	PN#	QTY	THREAT LENGTH	OVERALL LENGTH		WASHER DIAM. [mm]	HEAD MARKING	COLOR*	LOCATIONS
				MID [mm]	TOL.				
A	06513985AA	1	80	94.3	±1.1	32.0	"V" and "10.9" ON HEAD	YELLOW	FRONT BRACKET PASSANGER SIDE LOWER CORNER
B	06513987AA	1	150	164.9	±1.1	32.0	"10.9" ON FLANGE	WHITE	FRONT PASSANGER SIDE MOUNT - THRU BUSHING & BRACKET INTO EDM
C	06513988AA	3	120	134.2	±1.2	36.0	"S" and "10.9" ON HEAD	BLUE	FRONT (DRIVER SIDE) AND REAR MOUNTS TO BRACKETS
D	06513990AA	1	165	179.6	±1.4	32.0	"10.9" ON FLANGE	GREEN	FRONT BRACKET DRIVER SIDE LOWER CORNER
E	06513991AA	1	115	129.2	±1.2	32.0	"V" and "10.9" ON HEAD	BLACK	FRONT BRACKET DRIVER SIDE UPPER CORNER
F	06513986AA	5	65	79.3	±1.1	32.0	"S" and "10.9" ON HEAD	NO PAINT	REAR SIDE EDM BRACKETS - M14
G	06513427AA	1	45	52.0	±0.8	24.0	-	NO PAINT	REAR SIDE EDM BR

M14 Dynamic Torque: 170 Nm

M10 Dynamic Torque: 55 Nm

*Colors indicated represent painting from assembly.

If coloring is not present, use a paint marker to indicate the bolts as noted above, marking on through the fastener and onto the mounts and brackets. See example image.



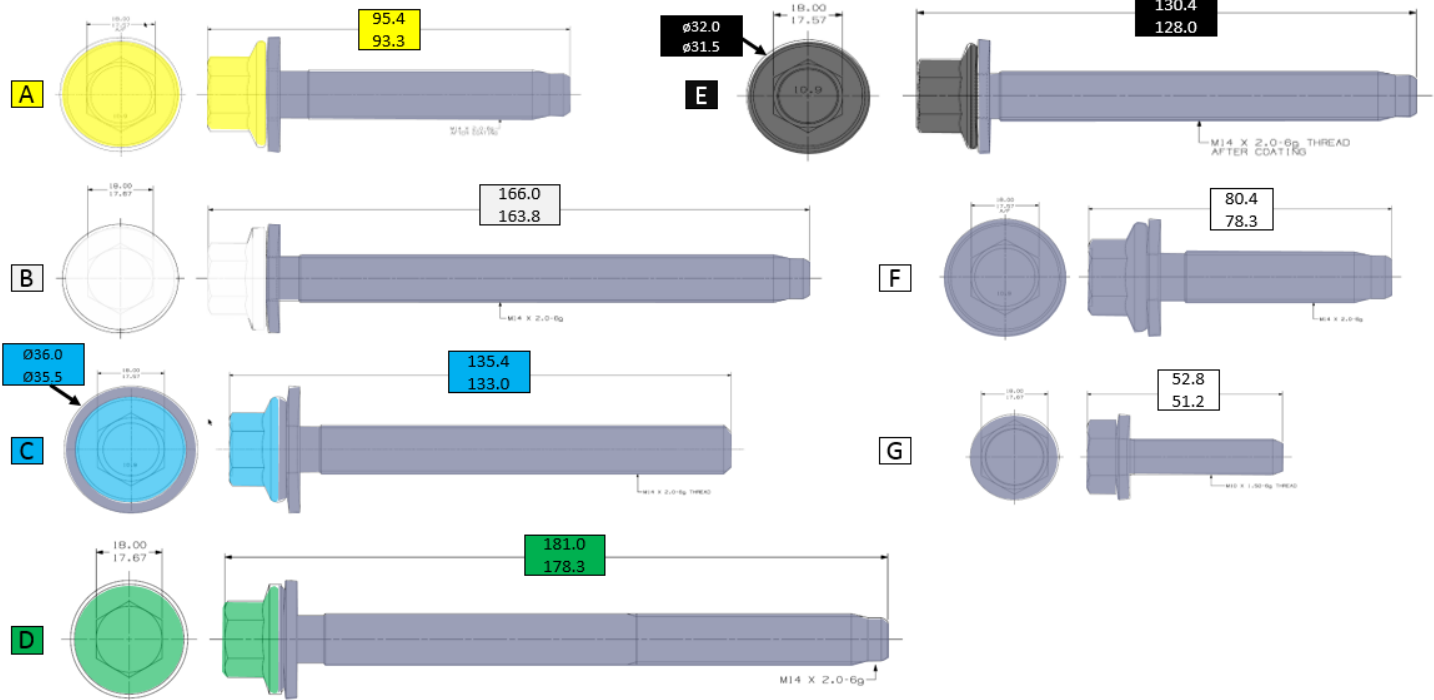
Example

This document does not authorize warranty repairs. This communication documents a record of past experiences. STAR Online does not provide any conclusions about what is wrong with the vehicle. Rather, it captures all previous cases known that appear to be similar or related to the vehicle symptom / condition. You are the expert, and you are responsible for deciding on the appropriate course of action.

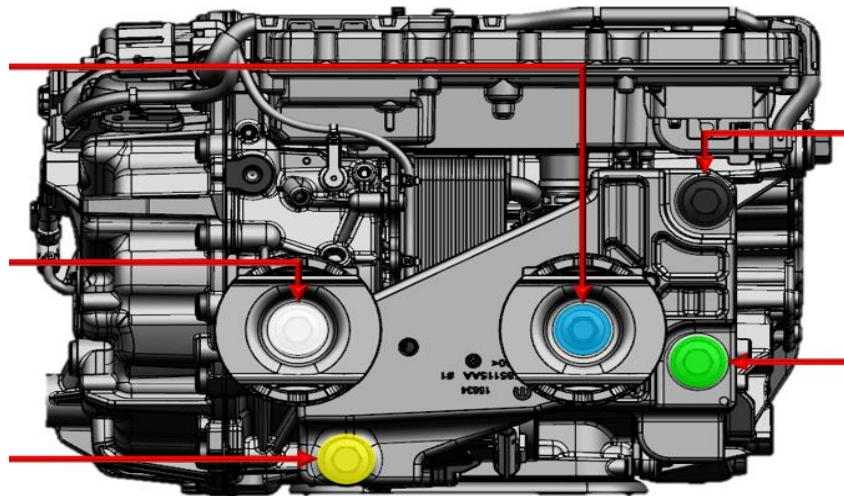
Contact STAR Center, or your Technical Assistance Center Via TechConnect, eCONTACT or Service Library entry if no solution is found.



STAR ONLINE PUBLICATION



Bolt Identification



Front Bolt Location By Color.

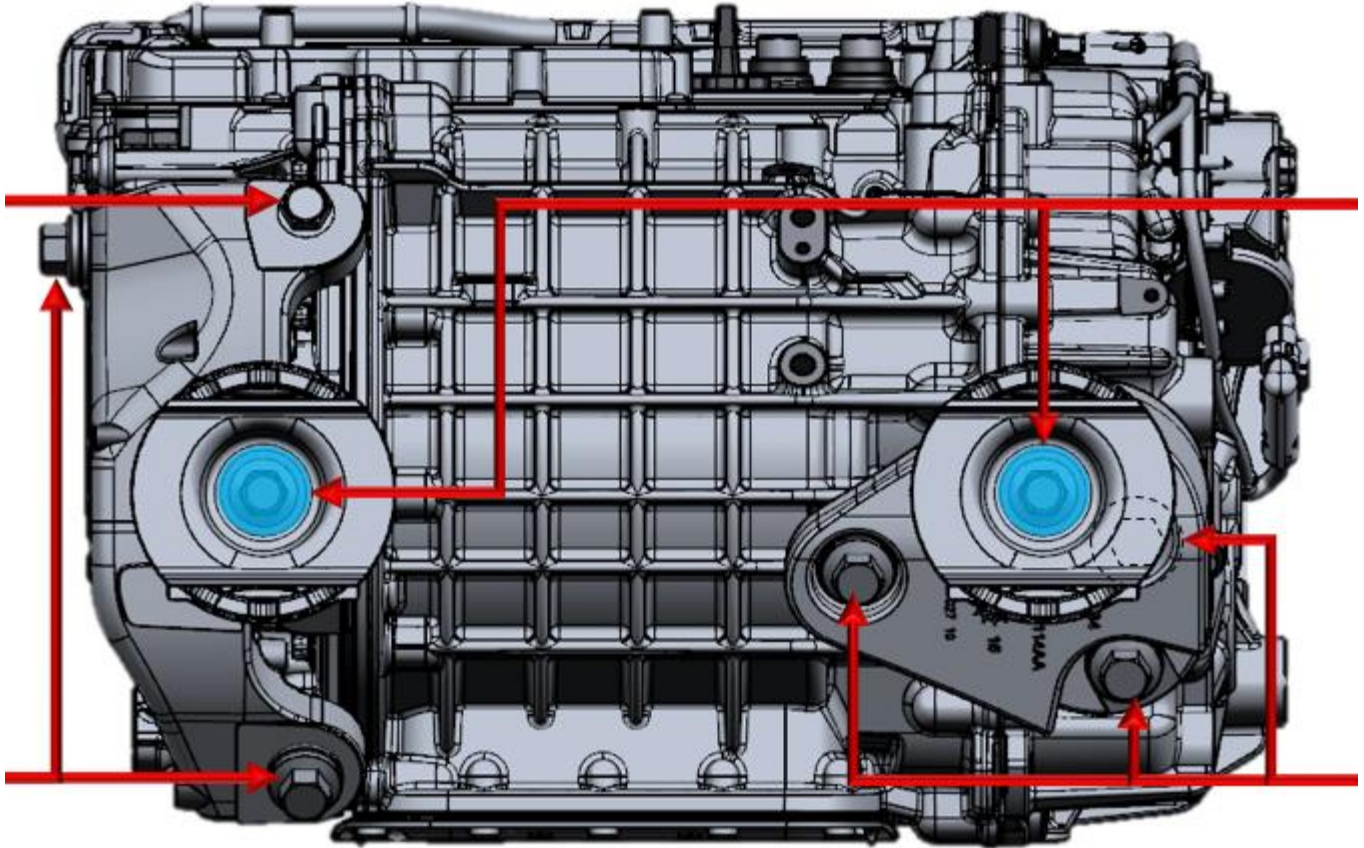
See First Image For Part Number/Size Identification

This document does not authorize warranty repairs. This communication documents a record of past experiences. STAR Online does not provide any conclusions about what is wrong with the vehicle. Rather, it captures all previous cases known that appear to be similar or related to the vehicle symptom / condition. You are the expert, and you are responsible for deciding on the appropriate course of action.

Contact STAR Center, or your Technical Assistance Center Via TechConnect, eCONTACT or Service Library entry if no solution is found.



STAR ONLINE PUBLICATION



Rear Bolt Identification By Color.
See First Image For Color/Size Identification.

This document does not authorize warranty repairs. This communication documents a record of past experiences. STAR Online does not provide any conclusions about what is wrong with the vehicle. Rather, it captures all previous cases known that appear to be similar or related to the vehicle symptom / condition. You are the expert, and you are responsible for deciding on the appropriate course of action.

Contact STAR Center, or your Technical Assistance Center Via TechConnect, eCONTACT or Service Library entry if no solution is found.