

## DIAGNOSTIC TROUBLE CODE P0A78-49 STORED IN EPIC – GENERATION 4 - MHEV

### Customer Voice:

- 'Stop Safely Electrical Fault Detected' warning message on the instrument panel.

### Technical Description:

- Software error

### Status:

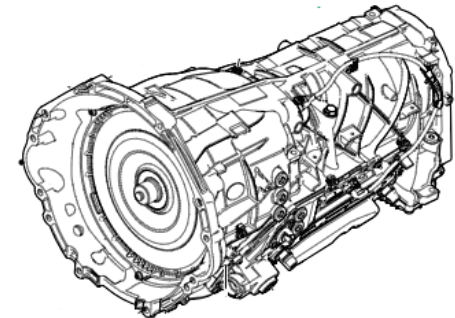
- Complete the EPIC Health Check application and follow DTC help text to diagnose the issue. The EPIC Health Check application will guide you to either update the software using the JLR approved diagnostic tool or raise a Technical Assistance (TA), depending on the result.
- If the EPIC Health Check application has instructed you to update the EPIC module software, complete the update and follow the procedure with the added 5 sleep cycles.
- If DTC P0A78-49 is stored within the EPIC module, following the module update, raise a Technical Assistance (TA) to PTS\_120.
- When raising a TA case for DTC P0A78-49, make sure the following diagnostic data is at
  - Confirmation that the EPIC module has been updated to the correct software level.
  - Confirmation that 5 sleep cycles have been completed.
  - Session files from the JLR approved diagnostic tool.
  - Photos of 12V and 48V wiring checks (grounds, interconnects).
  - Any additional observations or symptoms noted during diagnosis.

### Range Rover

- 24-25MY Range Rover
- 24-25MY RR Sport

### Defender

- 25MY Defender OCTA



SSM 76347