



**Countries:** CANADA, MEXICO, UNITED STATES  
**Availability:** ISIS, Bus ISIS, NotSIR  
**Major System:** ELECTRIC VEHICLE  
**Current Language:** English  
**Other Languages:** NONE  
**Viewed:** 264

**Document ID:** IK2300036  
**Revision:** 1  
**Created:** 1/22/2025  
**Last Modified:** 7/7/2025  
**Author:** Josh Bowman

[Less Info](#)

Hide Details

Coding Information

<b>Copy Link</b> 	<b>Copy Relative Link</b> 	<b>Bookmark</b>  <a href="#">View My Bookmarks</a>	<b>Add to Favorites</b> 	<b>Print</b> 	<b>Provide Feedback</b> 	<b>Helpful</b>  2	<b>Not Helpful</b>  0
----------------------	-------------------------------	--	-----------------------------	------------------	-----------------------------	-------------------------	-----------------------------

**Title:** Air Conditioning Software Versions

**Applies To:** IC Bus® Electric CE Series

## CHANGE LOG

Please refer to the change log text box below for recent changes to this article:

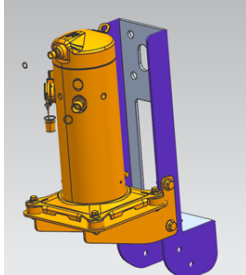
07/07/2025 - Updated Software Table
01/23/2025 - Initial Article Release

## DESCRIPTION

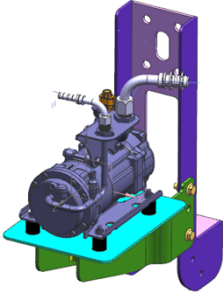
This document will depict which software version that is intended to be used within the HMI Panel and ECUs for IC Bus® Electric CE Series air conditioning system.

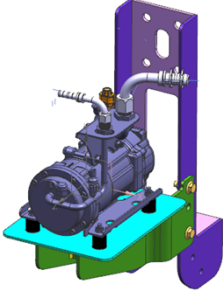
Please note, software updates at this time will only be needed if an issue is identified. Updates should not be done as a proactive repair unless otherwise stated within a published campaign.

## SOFTWARE TABLE

Model: PB10E00 (H01) - Emerson Components Feature 048CXZ (6/07/2021 - 10/18/2022)	System Reference	Production Release
<b>Panel</b>   GL-P6HNV001 / 2523234C1		<a href="#">SW 1.5</a>
<b>ECUs</b>   GL-M1HNV001 / 2523235C1		<a href="#">SW 1.3</a>

Model: PB10E00 (H01) - Modine Components Feature 048CXZ/048HEP (11/14/2022 - Present)	System Reference	Production Release


<b>Panel</b>   GL-P6HNV002 / 4471291C1		<a href="#">SW 1.3</a>
<b>ECUs</b>   GL-M1HNV002 / 4471292C1		<a href="#">SW 1.3</a>

Model: PB11E00 (H06) - Modine Components Feature 0xxxxx (xx/xx/xxxx - Present)	System Reference	Production Release
<b>Panel</b>   GL-P6HNV003 / TBD		<a href="#">SW 1.5</a>
<b>ECUs</b>   GL-M1HNV003 / TBD		<a href="#">SW 1.5</a>


\*Production Release - International and supplier tested

## **SPECIAL TOOLS / SOFTWARE**


Tool Description	Tool Number	Comments	Instructions
Programmer Panel	GL-P4SGL004	Tool Rental Program	<a href="#">Link</a>
Panel Programming Cable	401.00.069	Tool Rental Program	
Blank USB Drive	Source Locally	(1 GB min)	
Power Supply	Source Locally	EZ Tech Charger	



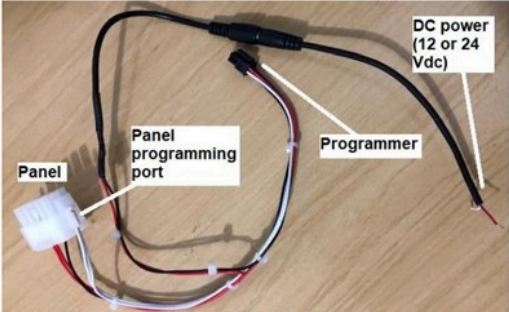
**PANEL - GL-P6HNV001**



**PROGRAMMER PANEL  
GL-P4SGL004**



**ECU - GL-M1HNV001**



**PANEL PROGRAMMING CABLE (401.00.069)**

---

## **WARRANTY INFORMATION**

### **Warranty Claim Coding:**

Refer to the [Warranty Coding Manual](#) for Group and Noun Codes.

---

### **Standard Repair Times:**

Refer to the [SRT Manual](#) for Repair Times

---

## **OTHER RESOURCES**

[Master Service Information Site](#)

 Hide Details

#### Feedback Information

Viewed: 263  
Helpful: 2  
Not Helpful: 0

No Feedback Found

---