



## Incorrect Interaxle Prop Shaft Hardware

Revision: 0

Revision Notes: Initial Release

**Service Category:** Service Department

**Section:** Function Group 451

**Technician Skill Level:** A

**Market:** North America

### Applicability

**MACK**

Year	Model
2026	AN, PI, GR, LR

### Introduction

Mack Trucks has identified that certain truck models may have been assembled with incorrectly torqued interaxle prop shaft U-joint hardware. Improper torque can increase the risk of hardware failure. To address this issue, please follow the instructions in this document to replace and correctly torque the interaxle prop shaft U-joint hardware.

### Production Change Information

This bulletin applies to vehicles built within the specified production changes below.

Brand	Engine	Emission Level	Starting Build Date	Ending Build Date
Mack	MP7, MP8	EM-USA21	27-May-2025	06-June-2025

### Warranty Information

<b>This repair is covered by an authorized Service Program. Reimbursement is obtained through the normal claim handling process.</b>		
Claim Type (used only when uploading from the Dealer Bus. Sys.)		<b>B</b>
<b>Main Labor Code</b>	<b>Description</b>	<b>Hours</b>
1720-16-09-01	Campaign General	0.5
<b>Causal Part</b>	<b>24650736</b>	
<b>SCC Authorization Code</b>	<b>S4574</b>	
<b>Expiration Date</b>	<b>July 31, 2026</b>	

## Incorrect Interaxle Prop Shaft Hardware

---

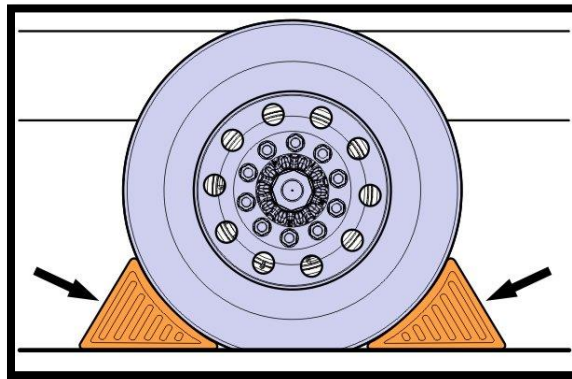
### Parts Information

Order parts using normal process.

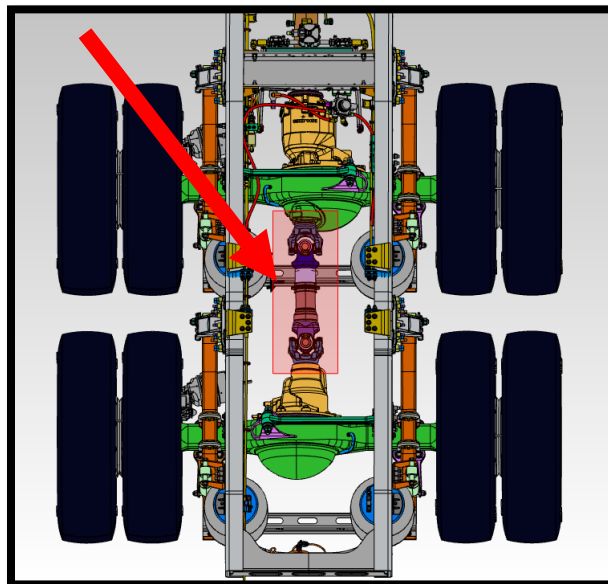
Part Numbers	Part Names	Quantity
85133970	U-Joint Strap Kit	2

### Repair Procedure

1. Park the vehicle on a level surface.
2. Apply the parking brake.
3. Place transmission in park or neutral.
4. Install wheel chocks.

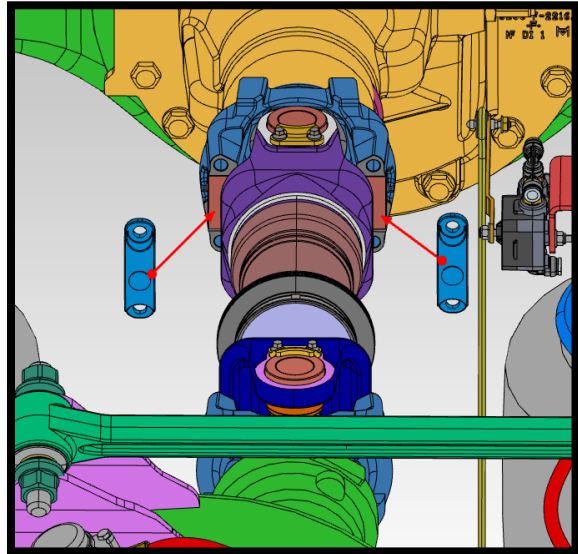
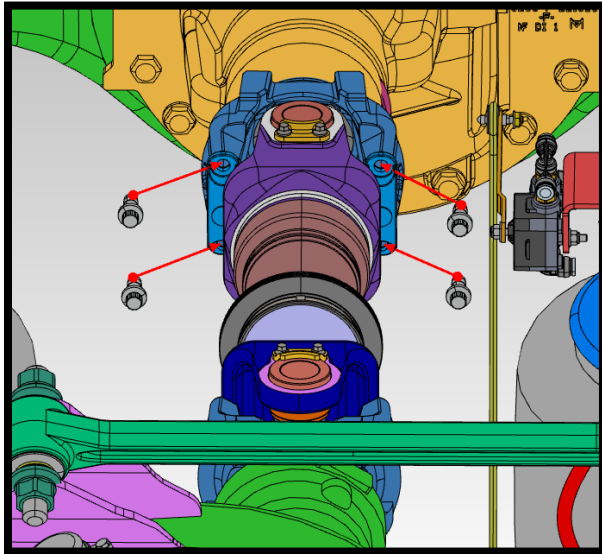
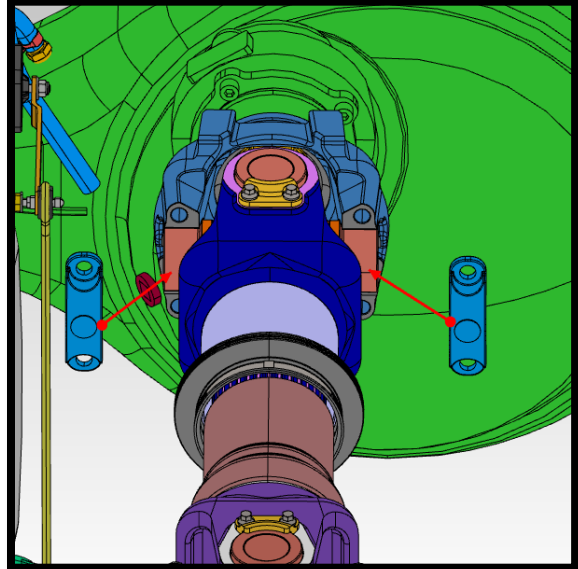
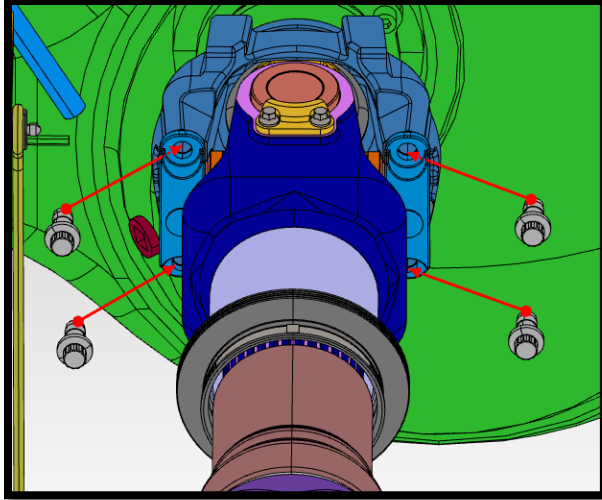


5. Locate the interaxle prop shaft.



## Incorrect Interaxle Prop Shaft Hardware

- Remove and replace the interaxle prop shaft u-joint straps and hardware with kit P/N 85133970(One kit per u-joint). **Replace one at a time.**



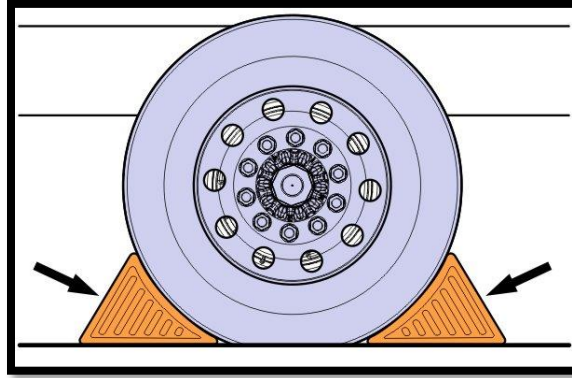
- Torque ALL 8 Interaxle prop shaft u-joint strap bolts.

Tightening torque	
Driveshaft, screw	M12
	147.5 ±7.5 Nm (109 ±24 lb <sub>f</sub> ·ft)

## Incorrect Interaxle Prop Shaft Hardware

---

8. Remove wheel chocks.



9. Return the truck to service.