



Mack Electromobility Chassis Electrical Center Decal Update

Service Category Service Department

Section Function Group 372

Technician Skill Level A

Market: North America

Applicability

Mack

Model Years	Models
2021-2026	LRBe

Introduction

Mack Trucks has identified that certain LRBe model trucks may have an undersized fuse used in the coolant pump circuit. The 10A fuse may open if the coolant pump is running under normal operating conditions. This could result in a loss of cabin heat. Follow the instructions below to inspect and replace the fuse with a 15A as necessary and install a new fuse location decal.

Production Change Information

This bulletin applies to vehicles built within the specified production changes below.

Brand	Engine	Emission Level	Starting Build Date	Ending Build Date
Mack	BEV	EM-ZE	18-May-2020	12-May-2025

Warranty Information

This repair is covered by an authorized Service Program. Reimbursement is obtained through the normal claim handling process.		
Claim Type (used only when uploading from the Dealer Bus. Sys.)	B	
Main Labor Code	Description	Hours
1720-16-09-01	Campaign, General x 3	0.3 hrs
3100-09-01-05	Low Voltage System, Commissioning	0.3 hrs
3100-09-01-06	Low Voltage System, Decommissioning	0.4 hrs
Causal Part	24299725	
SCC Authorization Code	S4563	
Expiration Date	July 31, 2026	

Mack Electromobility Chassis Electrical Center Decal Update

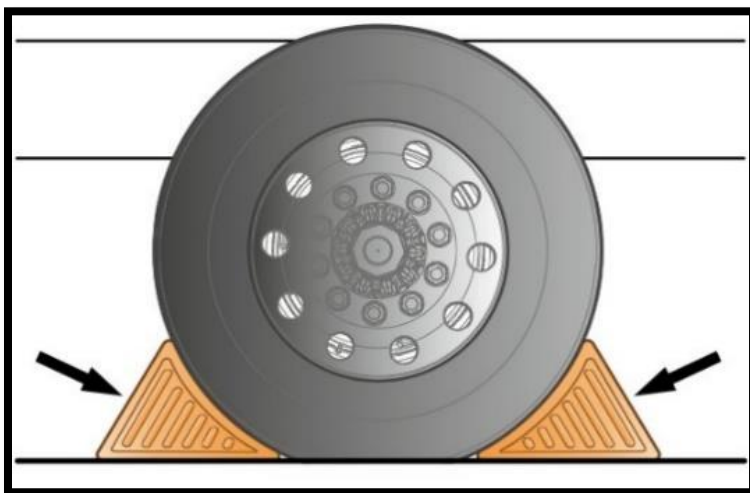
Parts Information

Order parts through normal parts ordering process.

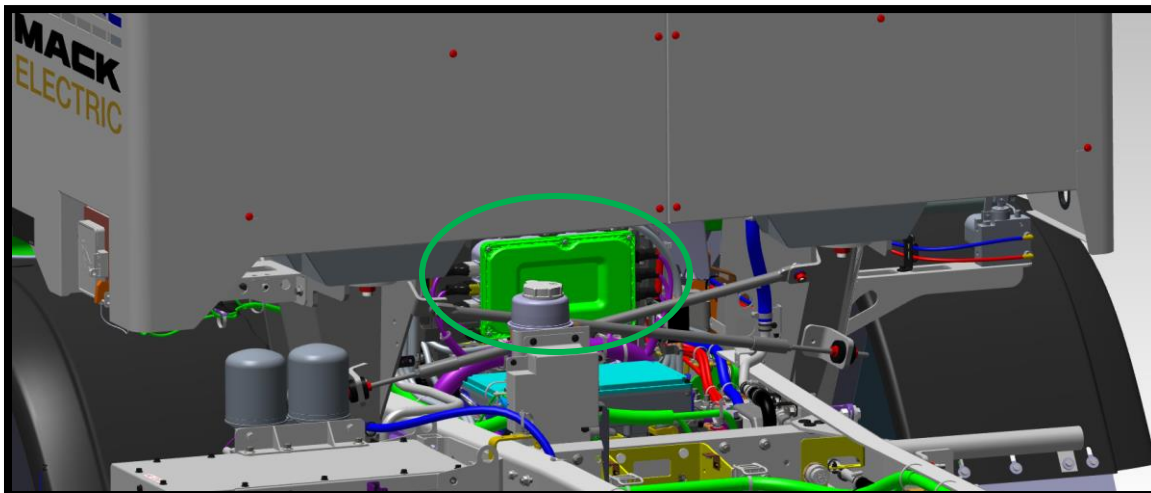
Part Numbers	Part Names	Quantity
24925155	Decal	1
20378935	Fuse	1

Repair Procedure

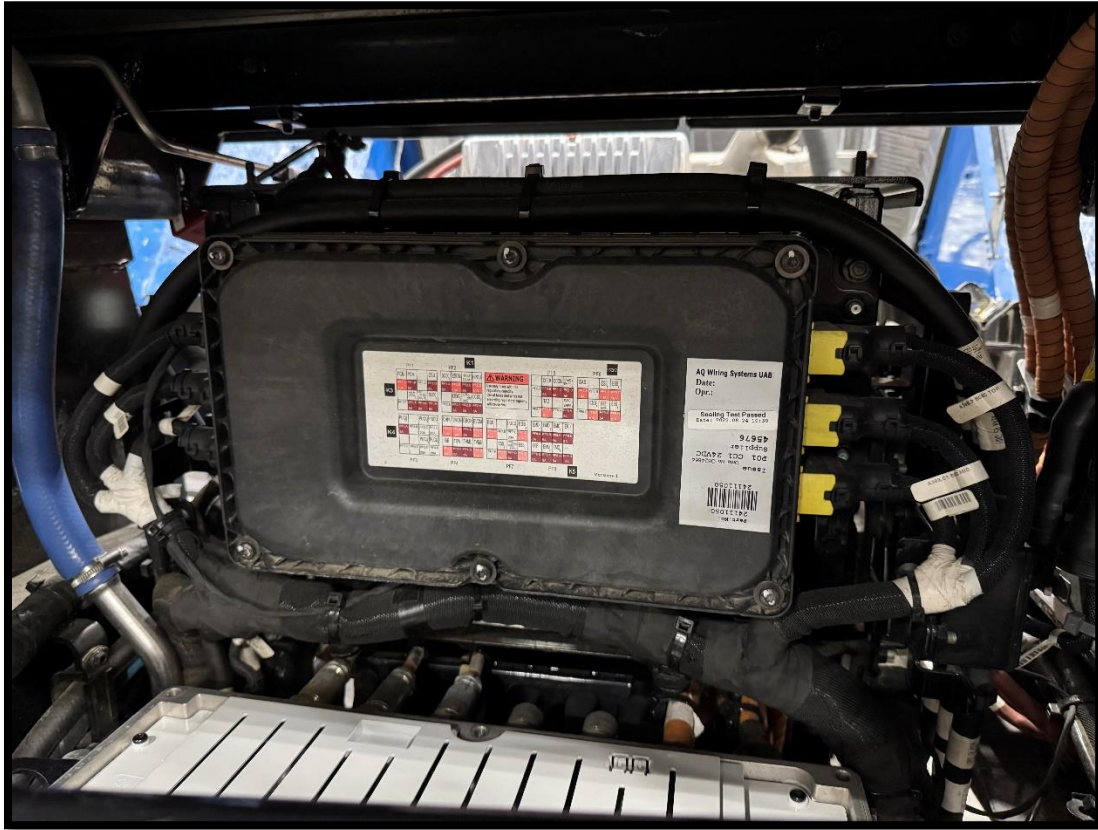
1. Park the vehicle on a level surface.
2. Apply the parking brake.
3. Install wheel chocks.



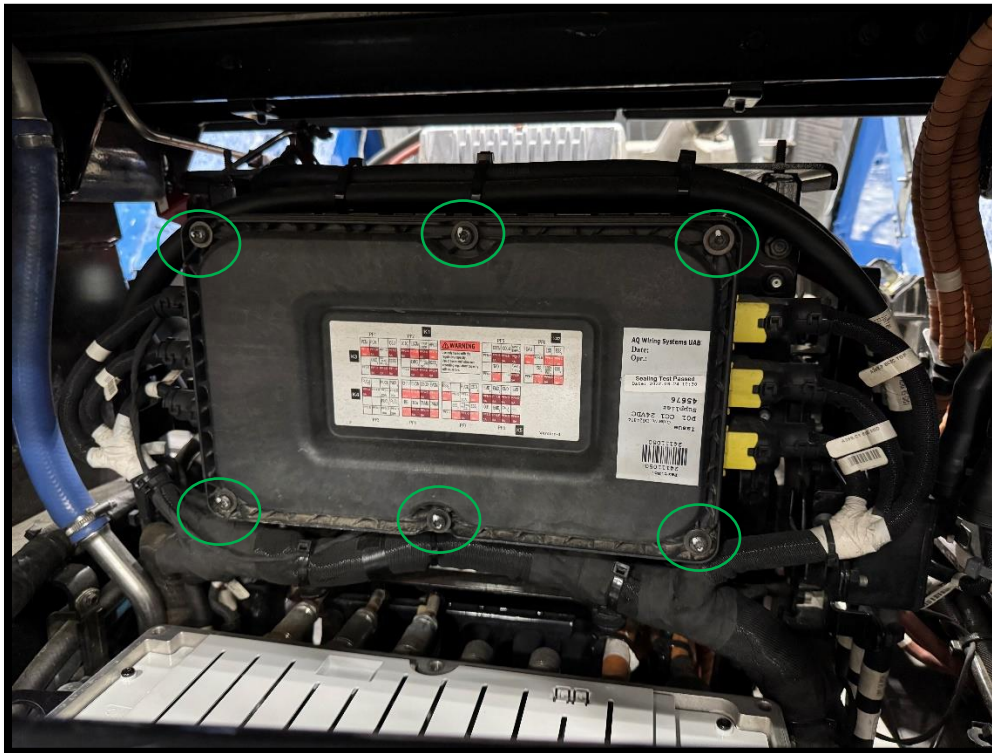
4. Follow **Impact procedure 3100-09-01-06 Low Voltage, Decommissioning** to decommission the vehicle.
5. Locate the Fuse Electrical Box underneath the hood (highlighted green).



Mack Electromobility Chassis Electrical Center Decal Update

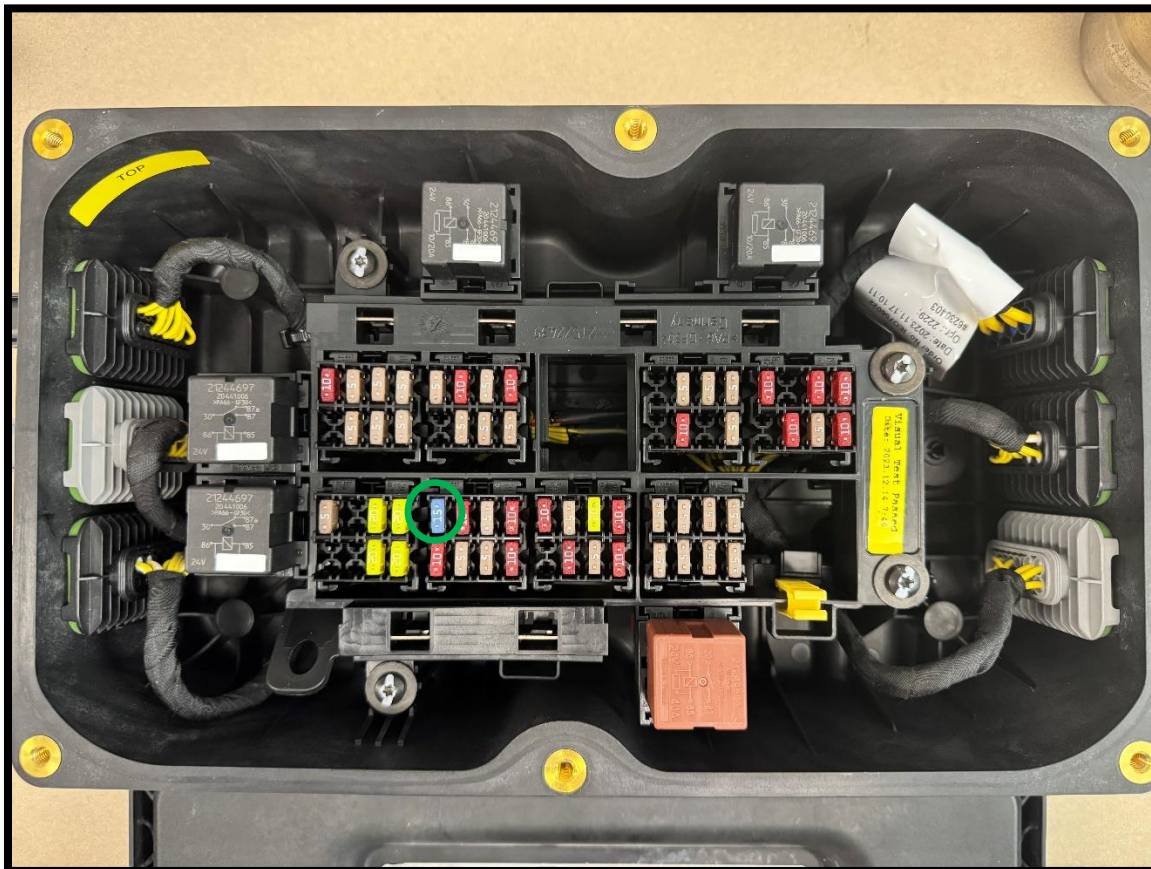
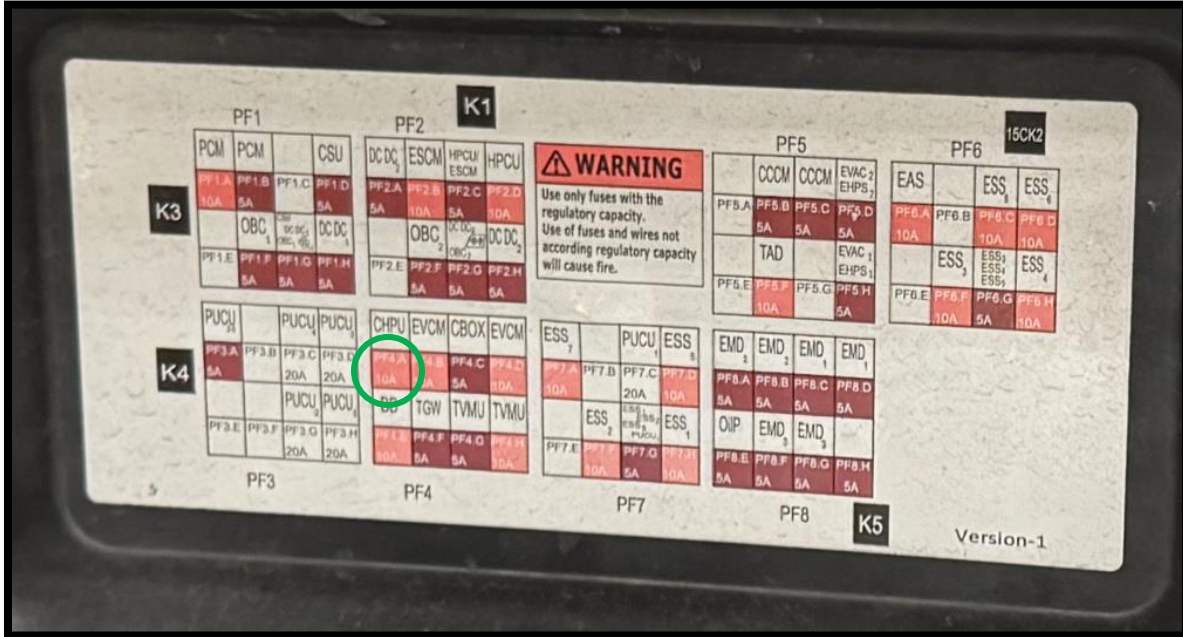


6. Remove the six (6) M6 T27 Torx bits holding the cover on the Fuse Electrical Box.



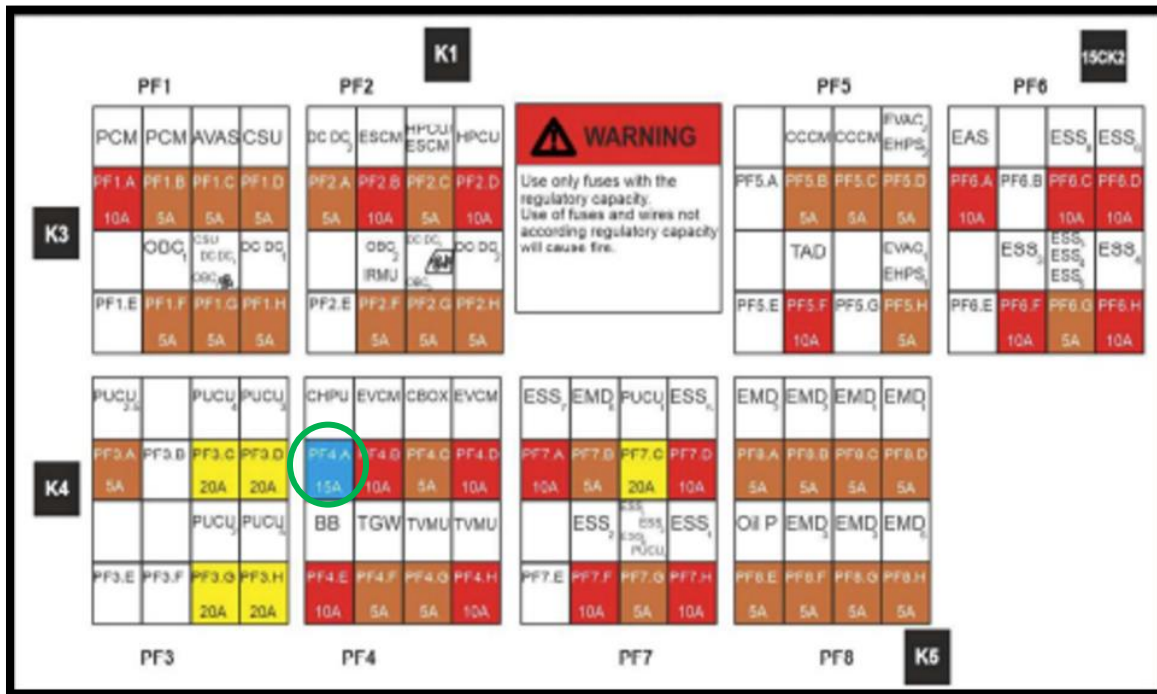
Mack Electromobility Chassis Electrical Center Decal Update

- Inspect and replace (if necessary) the 10A fuse with the new 15A fuse located in the CabHPU PF4.A location circled in green.



Mack Electromobility Chassis Electrical Center Decal Update

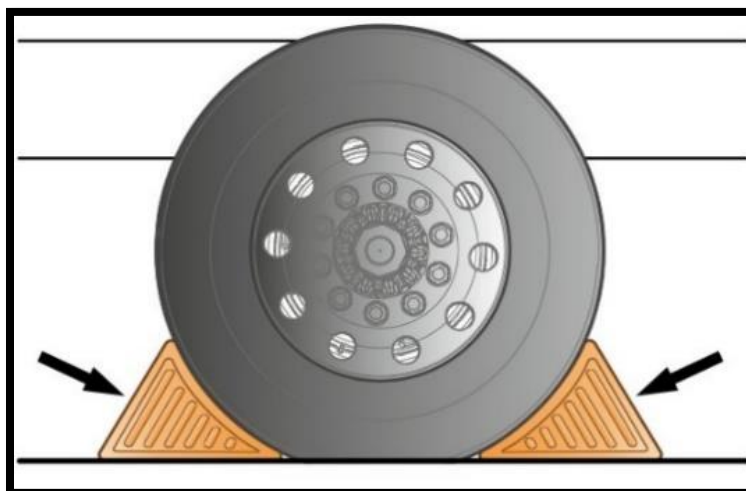
- Install the new label that has the updated fuse information over the old label. Ensure the clean the old label with isopropyl alcohol for better adhesion.



- Reinstall the cover using the M6 T27 torx bolts and torque to specification.

Tightening Torque	
10 ± 1.5 N-m (7.4 ± 1 ft-lbs)	

- Follow **Impact Procedure 3100-09-01-05 Low Voltage, Commissioning** to commission the vehicle.
- Remove wheel chocks.



- Return vehicle to service.