

Squeaking Or Creaking Noises From The Front Seats

Topic number	LI91.10-P-079346
Version	2
Function group	91.10 - Front seats
Date	7/30/25
Validity	Model series 206 as from 06/2023 Model series 214 as from 06/2023 Model series 254 as from 06/2023 Model series 294 as from 06/2023 Model series 295 as from 06/2023 Model series 296 as from 06/2023 Model series 297 as from 06/2023
Reason for change	Change time

Complaint

The customer complains about squeaking/creaking noises on uneven roadways, on bends or when moving in their seat.

Attachments	
File	Description
knarzen-quietschen-VS.mp4	Creaking/squeaking on the front seat

Cause

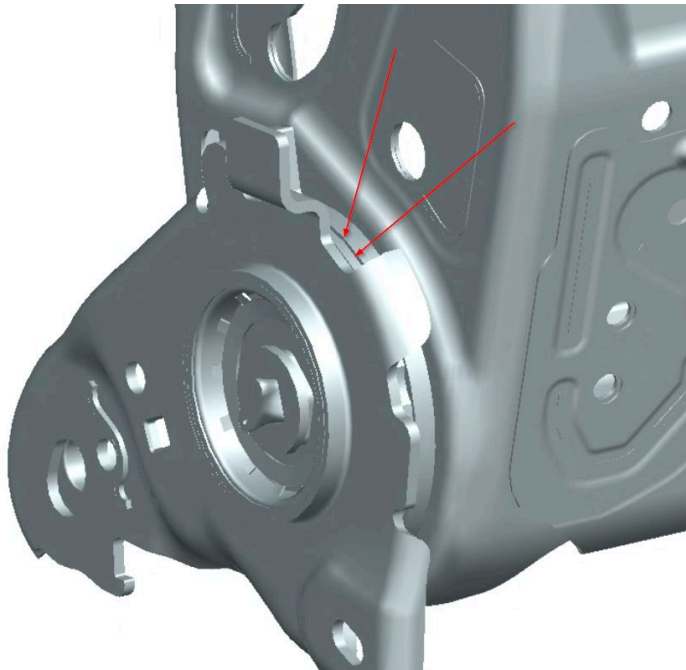
Noise in the backrest adjustment mechanism

Remedy

The adjustment mechanism is treated with dry lubricant spray A000 989 35 60 to rectify the noise.

To do this, proceed as follows:

- Move the seat to the front position and put the backrest into a lying position.
- Due to the risk of soiling on the left and right under the adjustment mechanism, cover and protect the area.
- Spray into the gap of the left and right adjustment mechanism with dry lubricant spray from above.
- If the noise persists, then repeat the process. Enough dry lubricant spray must be used



Then wait 15 minutes and leave the seat in this position!

Only then adjust the seat into the sitting position.

Note: Both front seats must always be treated!

Attachments	
File	Description
Bild1.jpg	

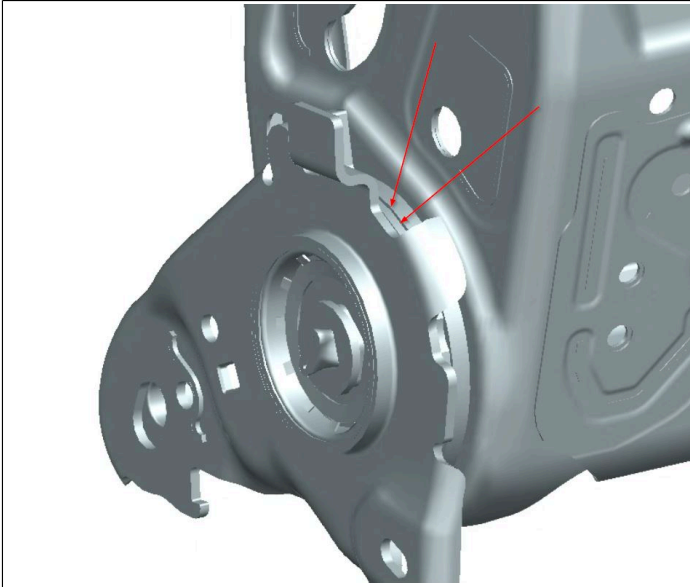
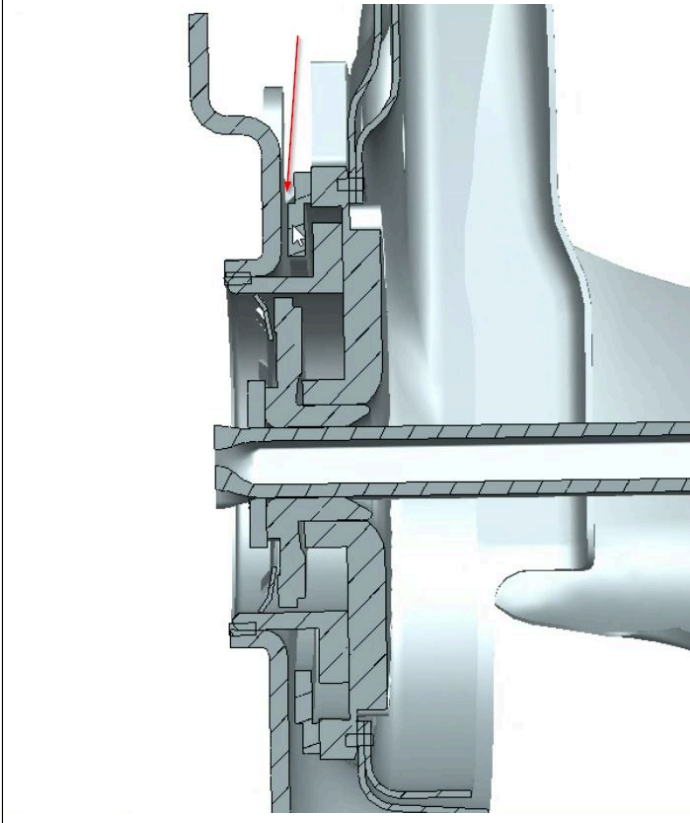


Bild2.jpg



Disclaimer

NOTE: The information contained in this document is intended for use by trained, professional technicians with the knowledge to properly and safely perform diagnosis and repairs on Mercedes-Benz vehicles, using Mercedes-Benz approved tools and equipment. It informs service technicians about conditions that could occur in certain vehicles and provides information that could assist in proper vehicle diagnosis, service, or repair. It does not indicate that a defect is present in any vehicle referenced in this document nor does it imply warranty coverage. DO NOT assume that a symptom or condition, or a described cause of a symptom or condition, affects any particular vehicle or groups of ve-

XENTRY Tips

icles, or that a described repair applies to any particular vehicle or groups of vehicles. There can be multiple causes resulting in the same or similar symptoms or conditions described in this document, and trained professional service technicians must use their diagnostic skills to make evaluations on a case-by-case basis. The information contained in this document does not guarantee warranty coverage nor does it extend the vehicle's warranty in any way.

Symptoms
Body > Seat > Noises > Grunting
Body > Seat > Seat adjustment > Noise
Body > Seat > Noises > Creaking

Parts						
Part number	ES1	ES2	Designation	Quantity	Note	EPC
A000 989 35 60			Dry lubricant spray	1	Spray is enough for 5 vehicles	X

Operation numbers/damage codes				
Op. no.	Operation text	Time	Damage code	Note
941010	Locate and rectify noise	3 AW	91A41	Includes the treatment of seat back-rest frame, front seat, left and right