



# INSTRUCTION TO SERVICE

ITS61391		DATE:07/09/2025
<b>SECTION:</b>	420 - BODY APPLIED PARTS - EXTERIOR	
<b>SUBJECT:</b>	Retrofit baggage bay door handle mounting bracket.	
<b>ISSUE:</b>	Existing mounting bracket is not compatible with the new door handle assembly.	
<b>SUMMARY:</b>	Replace baggage bay door handle mounting bracket with updated design.	

# ITS61391

Ref. NHTSA Recall No.	Ref. Transport Canada Recall No.
Not Applicable	Not Applicable

**THIS ITS DOCUMENT SHOULD BE RETAINED AND REFERRED TO FOR FUTURE MAINTENANCE UNTIL THE PARTS AND/OR SERVICE MANUAL IS UPDATED TO REFLECT WORK DONE AS A RESULT OF THIS DOCUMENT. ENSURE THAT THIS DOCUMENT IS AVAILABLE FOR PARTS AND MAINTENANCE STAFF GOING FORWARD.**

## PROCEDURE:

1. Set park brake and chock wheels.
2. Turn the main battery disconnect switch to the "OFF" position.
3. Locate the baggage bay doors and open them up. Gain access behind the doors.

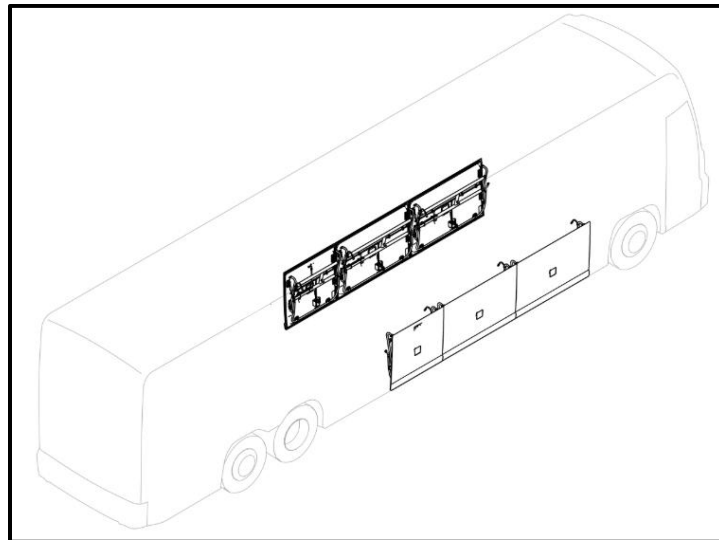


Figure 1: Baggage Bay Doors Location Reference

4. Unplug existing harness (ref PN: 07-12-1018) on the motor. Set aside for reinstallation.
5. Remove and save lock solenoid rod (PN: 03-29-1570), screws, nuts and motor (PN: 7L-8-959). Set all aside for reinstallation.

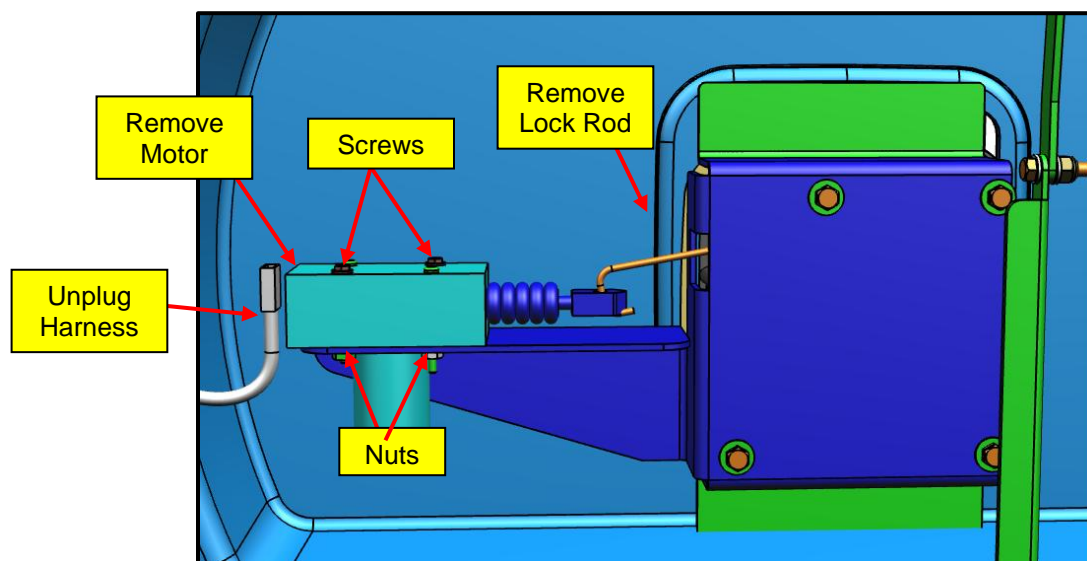
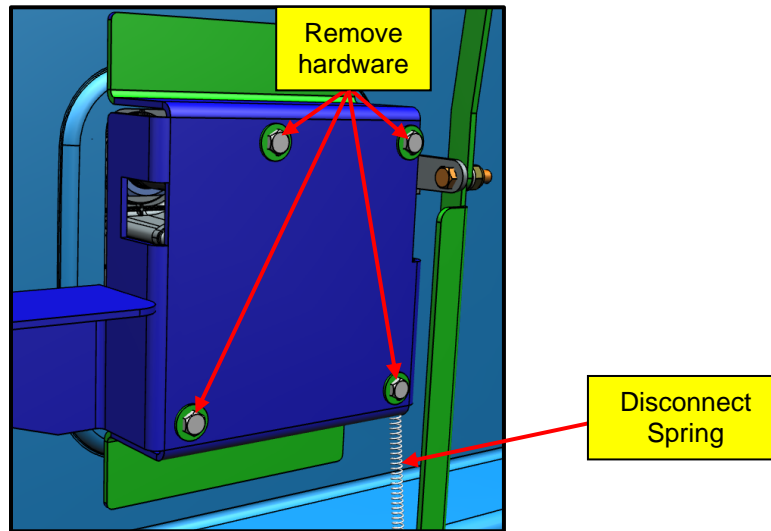


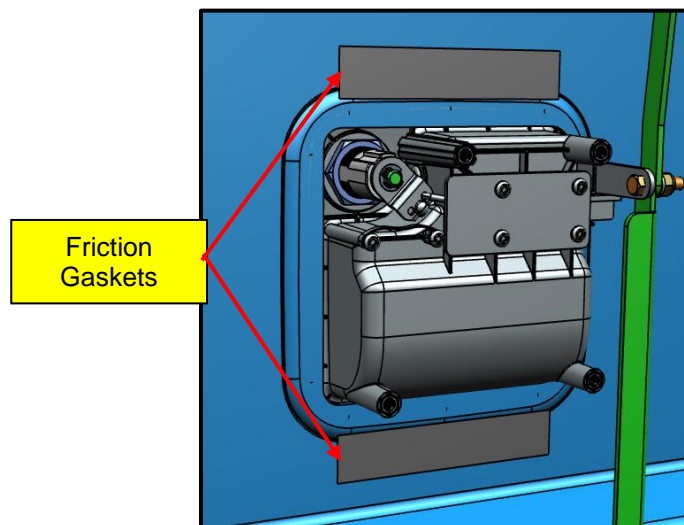
Figure 2: Door Motor Location Reference

6. Disconnect the spring (part of the door assembly) to the bracket.
7. Remove capscrew (PN: 19-1-387) and flat washer (PN: 19-2-23). Set aside for reinstallation.



**Figure 3: Door Handle Mounting Bracket Removal**

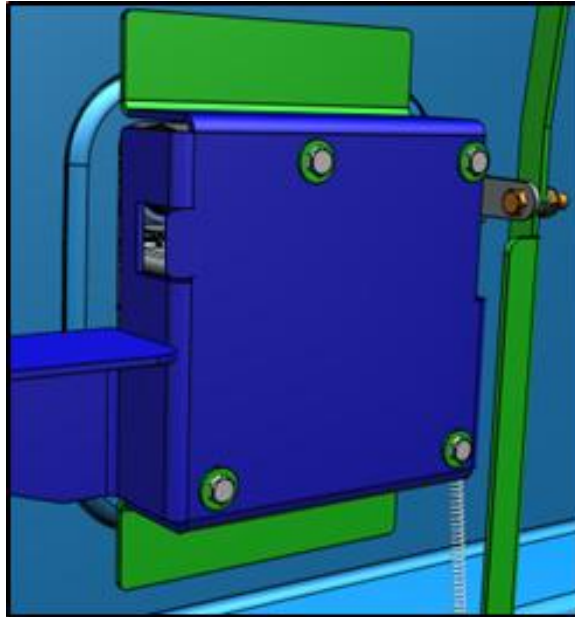
8. Remove existing gaskets and install new friction gaskets (PN: 03-29-1625) between new bracket and inner door panel.



**Figure 4: Friction Gaskets Location Reference**

- Install new door handle mounting bracket (PN: 1130599) with existing capscrew (PN: 19-1-387) and flat washer (PN: 19-2-23). Torque to  $10 \pm 1$  in-lbs and apply adhesive loctite (PN: 23-02-0088) to fastener threads before tightening.

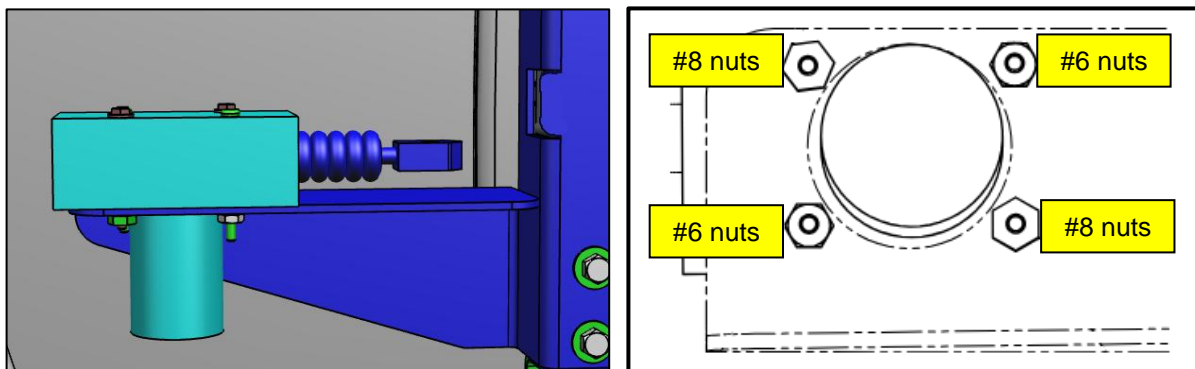
**Note: Clean off old loctite before reapplication as necessary.**



**Figure 5: New Door Handle Mounting Bracket Installation**

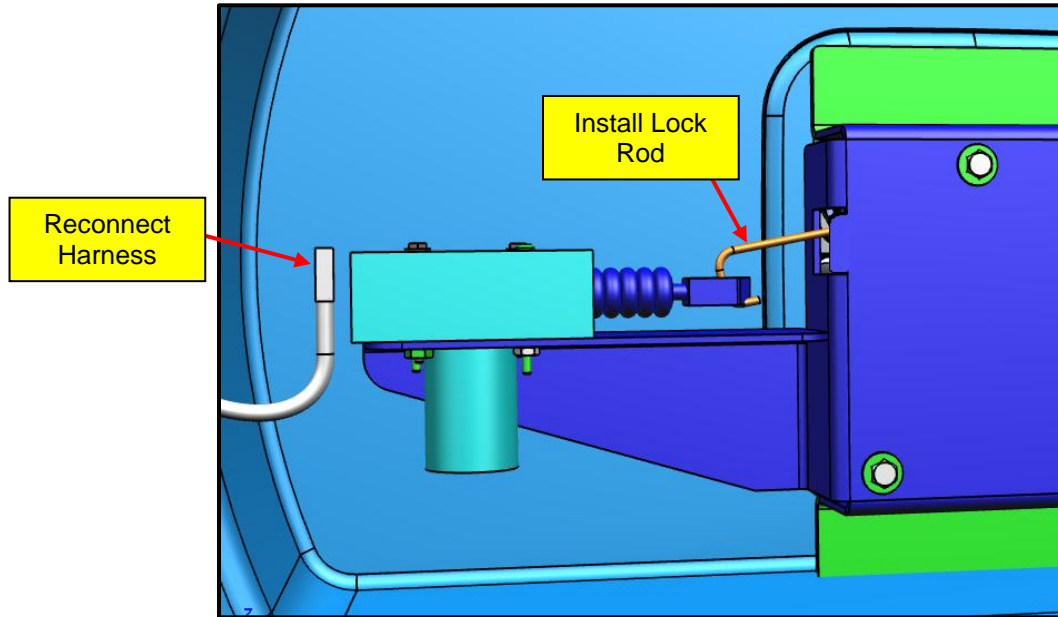
- Reinstall motor (PN: 7L-8-959) with existing screws and nuts from step 5. Torque #6 nuts (19-03-0591) to 14-18 in-lbs and torque #8 nuts (19-3-111) to 18-22 in lbs. Figure 6b shows bottom view of motor and bracket. Apply adhesive-loctite (PN: 21-7212-18) to #8 fastener threads.

**Note: Clean off old loctite before reapplication as necessary.**



**Figure 6a and 6b: Motor Installation on New Bracket**

11. Reconnect existing harness (ref PN: 07-12-1018) on the motor. Reinstall lock solenoid rod (PN: 03-29-1570) to motor first, then to the codeable lock handle.



**Figure 7: Harness and Solenoid Lock Rod Reinstallation**

12. Repeat steps 4 to 11 for the rest of the baggage bay doors.
13. Turn the main battery disconnect switch to the "ON" position.



**LABOUR ESTIMATE**

	Operation	Number of Technician(s)	Hours	Labor Time T X HR
1	Replace six baggage bay door handle mounting brackets	1	2	2

**PARTS REQUIRED**

Item	Part Number	Description	Qty. per Coach	Units	Notes
1	1130599	BRKT-HANDLE MTG CODEABLE	6	EA	
2	03-29-1625	GASKET-FRICTION,HANDLE	12	EA	

**SPECIAL TOOLS REQUIRED**

Item	Part Number	Description	Qty.	Units	Notes
1	23-02-0088	ADHESIVE-LOCTITE 243	0.010	EA	Source locally
2	21-7212-18	ADHESIVE-LOCKTITE THRD-LOCKING	0.010	EA	Source locally