

V O L V O

Volvo Car USA LLC

Technical Journal

Technical Journal Title Check Engine Light and DTC - ECM P001792		Ref. No. TJ 37249.5.0	
Issuer (Dept.) Technical Service		Issue Date 5/28/25	Status Date 6/17/25
Car Market United States and Canada	Partner 3 US 7510 Volvo Car USA	Function Group 2154	
Function Description Camshaft		Page Page 1 of 69	

Attachment

File Name	File Size
TJI-531608-1_1_1_en-US 1.pdf	3.6338 MB
TJ_37249_1.pdf	0.0864 MB

Rows beginning with * are modified

Note! If using a printed copy of this Technical Journal, first check for the latest online version.

DESCRIPTION:

*Additional/modified information under Service

*Attachment *TJI-531608-1_1_1_en-US 1.pdf* added.

If the DTC below is set and Check Engine Light is on, please follow advice under service.

ECM: Engine Control Module.

CSC Customer Symptom Codes

Code	Description
DL	Warning lights and chimes/Malfunction Indicator Light ("Check engine" light) indication/no indication

DTC Diagnostic Trouble Codes

Control Module	Code	Fault Type
ECM	P001792	Intermittent
ECM	P001792	Permanent

Vehicle Type

Type	Eng	Eng Desc	Sales	Body	Gear	Steer	Model Year	Plant	Chassis range	Struc Week Range
224	L1	BL1KERS					2022-9999		-	202122-999952
227	L1	BL1KERS					2023-9999		-	202222-999952
236	06	B06KERS					2022-9999		-	202122-999952
238	06	B06KERS					2022-9999		-	202122-999952

Technical Journal 37249.5.0

Type	Eng	Eng Desc	Sales	Body	Gear	Steer	Model Year	Plant	Chassis range	Struc Week Range
246	O6	B06KERS					2022-9999		-	202122-999952
246	L1	BL1KERS					2022-9999		-	202122-999952
246	M1	BM1KERS					2025-9999		-	202417-999952
256	O6	B06KERS					2023-9999		-	202222-999952
256	L1	BL1KERS					2023-9999		-	202222-999952
256	M1	BM1KERS					2025-9999		-	202417-999952
536	K9	BK9KERS					2023-9999		-	202222-999952
536	L1	BL1KERS					2023-9999		-	202222-999952

SERVICE:

***Steps 1-5 must be performed before performing additional fault tracing.**

1. Check if the vehicle software is the latest version. If not, please perform a Total Upgrade of the software according to TJ 31543.
2. If the software is the latest version, erase the DTC and proceed to the next step.
3. Reset the adaptations for intake and exhaust camshaft according to attachment *TJ 37249_1.pdf*.
4. Perform a test drive with the combustion engine at different loads for approximately 20-30 minutes at speeds ranging between 50-100 km/h (30-60 mph).
5. Perform a new VIDA readout, check if the DTC has re-occurred.
 - If the DTC doesn't re-occur, release the car to the customer.
 - If the DTC re-occurs, continue to fault trace according to VIDA.

* If VIDA symptom-based fault tracing leads to the replacement of parts, follow method in attachment *TJI-531608-1_1_1_en-US 1.pdf*.

Observe only hand tools should be used according to VIDA method, otherwise parts can be damaged.

* If the camshafts are replaced or the cylinder head is disassembled, the sealing rings must always be replaced.

If VIDA symptom-based fault tracing leads to the replacement of parts, retain the material according to the regular procedure as described in Warranty Policy and Procedure Manual (WPPM)

* A new ECM software is also planned for release during 2025 quarter 2.

Warranty claim info:

To get a warranty claim accepted for a job described in this TJ, use the corresponding VST OP number stated in this TJ.

Note that the TJ number must be stated in the repair order text.

VST Operation Number

VST Operation Number	Description
98783-2	Camshaft sleeve acc.to TJ.
36100-2	Test drive according to Technical Journal 4JV
36001-2	Diagnostic trouble codes read/ reset
36002-3	Software control module downloading

VEHICLE REPORT:

Yes, please submit a Vehicle Report if the service solution described in this TJ has no effect. Use concern area "Vehicle Report" and sub concern area "Support needed", use function group 2154.

To view TJ attachments continue to next page. This TJ has two attachments.

Technical Journal 37249.5.0

TJ 37249

VIDA

Home XC60 (18-), 2012, AWF8G45 AWD X

Planning & Diagnostics Software Installation Information Service Journals

Model/Year/Chassis: XC60 (18-), 2022, 914023

Customer Name:

Lists

- Planning
- Customer Symptom Codes
- Claim Types
- Technical Journals
- Service Programs
- Operations and Packages
- Parts
- Software
- Diagnosics (2)
- Components
- Service Functions

ECUs (3)

ID	Name
4/56	Central Electronic Module (CEM)
4/154	Climate Control Module (CCM)
4/82	Differential Electronic Module (DEM)
4/213	Driver Door Module (DDM), Default
5/1	Driver Information Module (DIM)
4/197	Electronic Gear Selector Module (EGSM)
4/46	Engine Control Module (ECM) (4)
4/318	Forward-Looking Camera 2 (FLC2)

DTCs Documents Wiring Diagrams Parameters Activations Diagnostic Sequences (5)

Diagnostic Sequences

- Recovering the ECM from crash mode
- Resetting adaptations for camshaft regulation, exhaust
- Resetting adaptations for camshaft regulation, intake (6)
- Resetting adaptations for cylinder balancing
- Resetting adaptations for fuel/air mix (fuel trim)
- Resetting adaptations for the fuel pump, low pressure side
- Resetting of adaptation values for the flywheel
- Resetting of adaptation values for the fuel injectors
- Resetting of adaptation values for the lambda probe, front
- Resetting of adaptation values for the lambda probe, middle



Volvo Car Customer Service

TJ Instruction VCC-531608-1

Title	Camshaft bushing	Page	1 (65)
Action	Replacement	Operation number:	98783-2

Issue	Date	Reason
1	2025-03	First issue

Affected vehicles

Model year	Model	Engine
2021, 2022, 2023, 2024, 2025	S60 (19-)	B420T, T10, T2, T3, T4, T5, T6
2021, 2022, 2023, 2024	S90 (17-)	B420T, T10, T2, T6
2021, 2022, 2023, 2024, 2025	S90L	B420T, T2, T6
2021, 2022, 2023, 2024, 2025	V60 (19-)	B420T, T10, T2, T3, T4, T5, T6
2021, 2022, 2023, 2024, 2025	V60 Cross Country (19-)	B420T10, T2
2021, 2022, 2023, 2024, 2025	V90 Cross Country	B420T, T10, T2
2021, 2022, 2023, 2024, 2025	XC60 (18-)	B420T, T10, T2, T6
2021, 2022, 2023, 2024, 2025	XC90 (16-)	B420T, T10, T2

Materials

Materials	Qty.	Part No.	Notes
Isopropanol	0.02		
Engine oil	0.02		
Chemical gasket	0.1	1161771	

Special tools

Description	Part No.
RADIATOR PROTECTION	999 5474
Mounting	999 7534
Support	999 7533

Special tools

Description	Part No.
Counterhold	999 7718
Hook wrench	981 4129
L-hook	951 2943
Cleaning tool	999 7505

Equipment

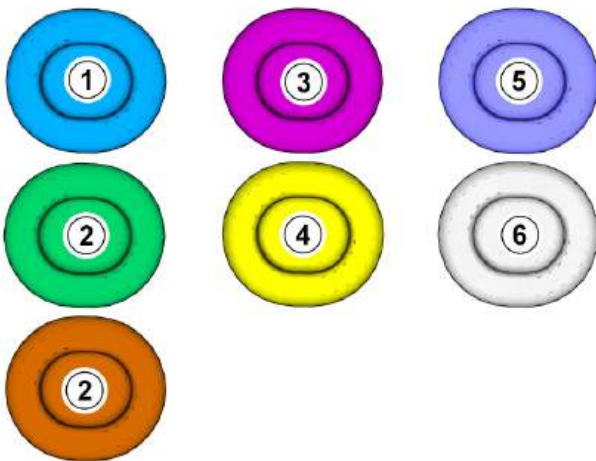
Designation	Part No.
Interior trim remover	
Marker pen	
Screw M10 x 20 mm	
Putty knife (plastic)	
Abrasive cloth	

Removal

Note! Removal steps in this procedure may contain installation details.

Illustrations in the information may be reused from previous models and may therefore deviate as regards the background's motif. The technical content relevant to the operation is, however, always correct.

Color symbols



Note! This colour chart displays (in colour print and electronic version) the importance of the different colours used in the images of the method steps.

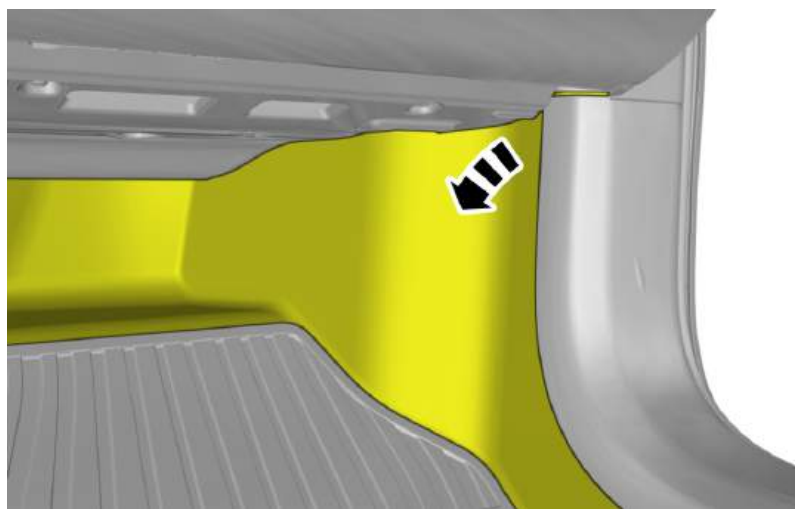
- 1 . Used for focused component, the component with which you will do something.
- 2 . Used as extra colors when you need to show or differentiate additional parts.
- 3 . Used for attachments that are to be removed/installed. May be screws, clips, connectors, etc.
- 4 . Used when the component is not fully removed from the vehicle but only hung to the side.
- 5 . Used for standard tools and special tools.
- 6 . Used as background color for vehicle components.

See information on safety information fuel system , refer to:

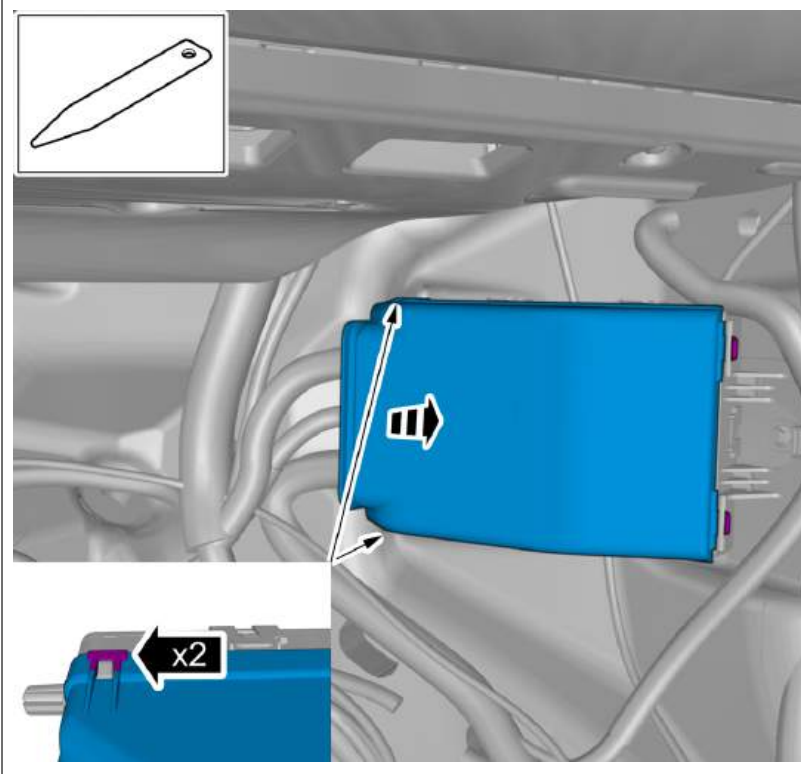
- General Safety Information
- 2 - Engine with mountings and equipment
- 23 - Fuel system
- 230 - general



Note! Orientation view

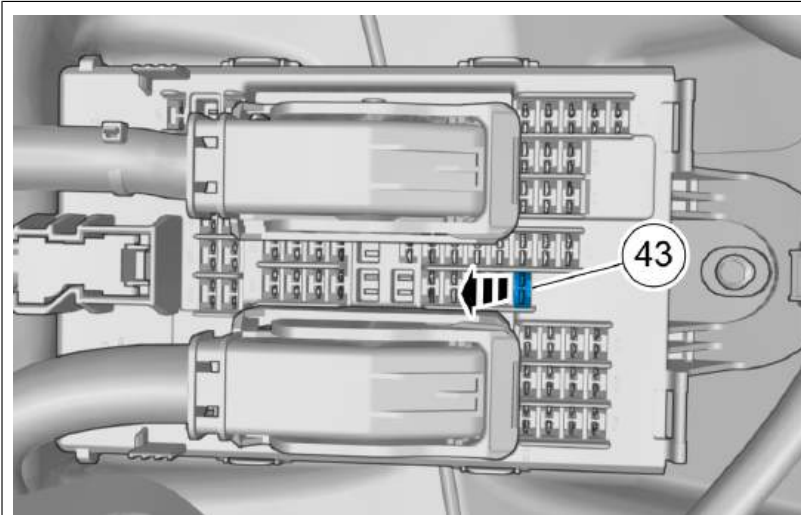


Fold the carpet aside.



Remove the marked part.

Use: Interior trim remover



Remove the fuse for the fuel pump (FP).



Start and run the engine at idle until it stops.

Disconnecting the battery

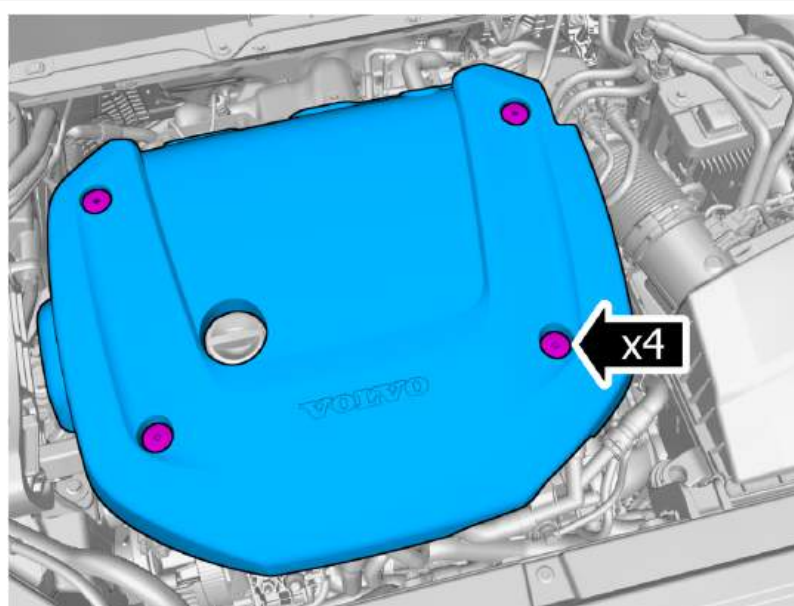
Disconnect mid voltage battery, disconnecting and connecting , refer to:

Cleaning, Inspection and Adjustment

3 - Electrical system

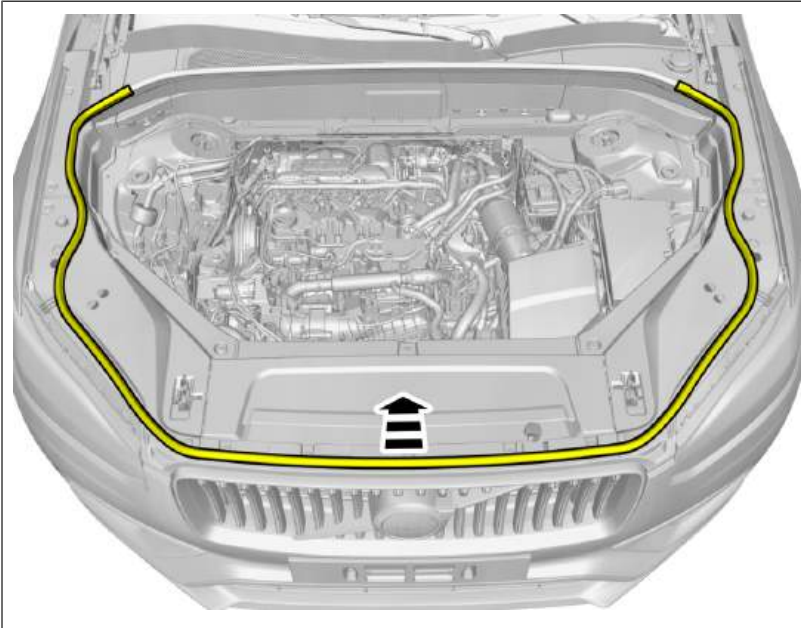
31 - Battery and mounting

311 - battery

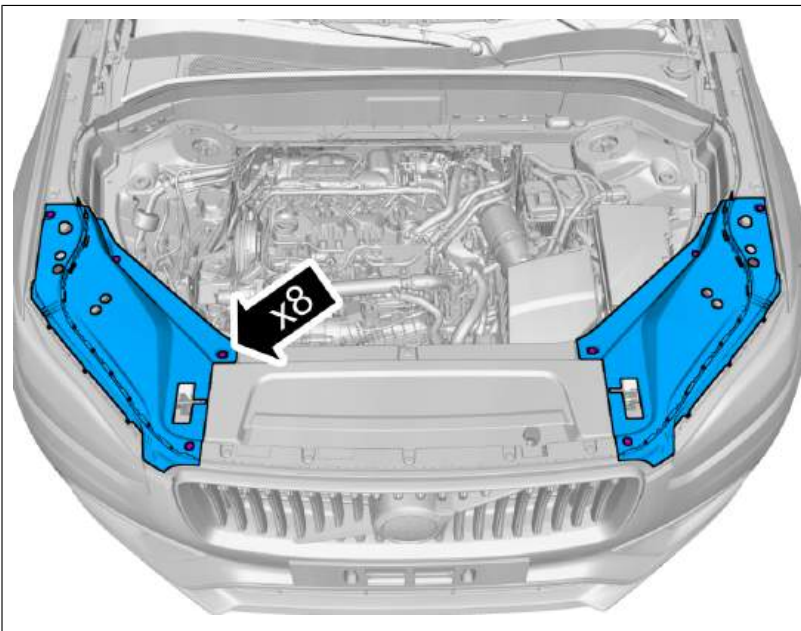


Loosen the screws.

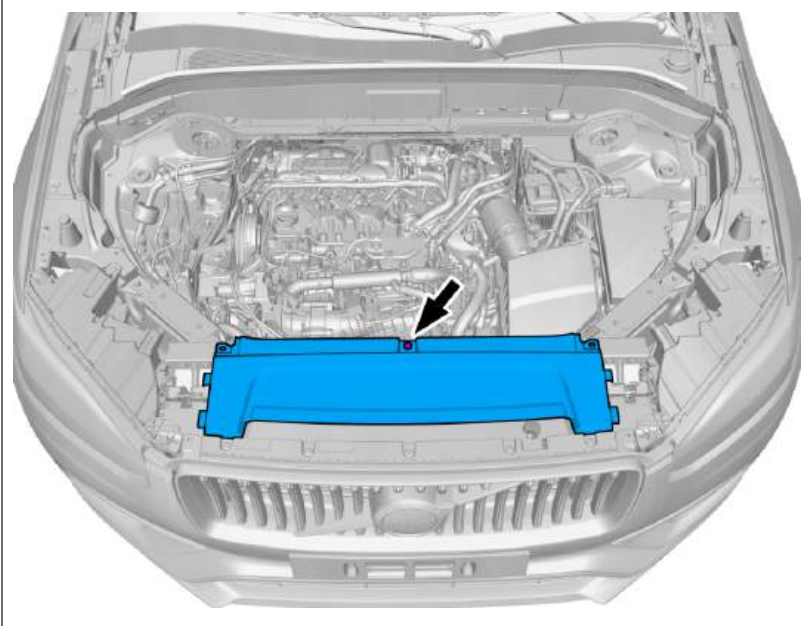
Remove the marked part.



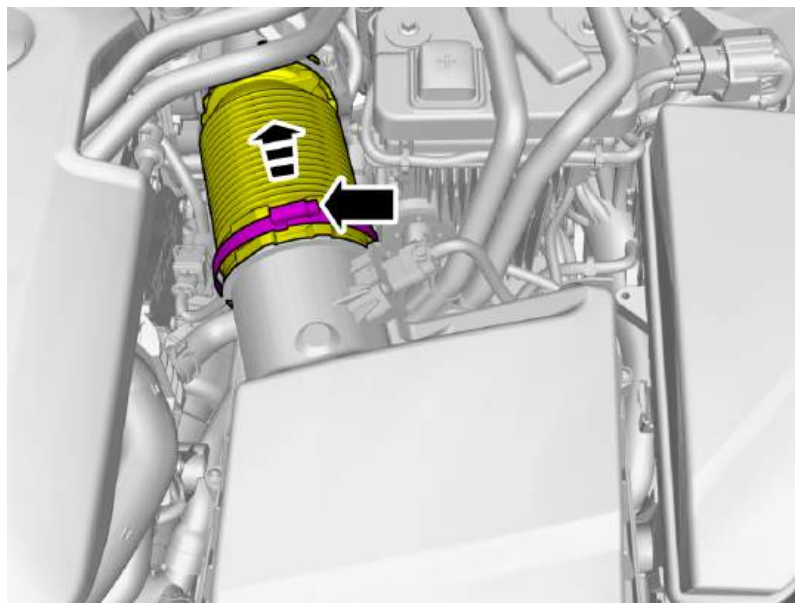
Fold marked part aside.



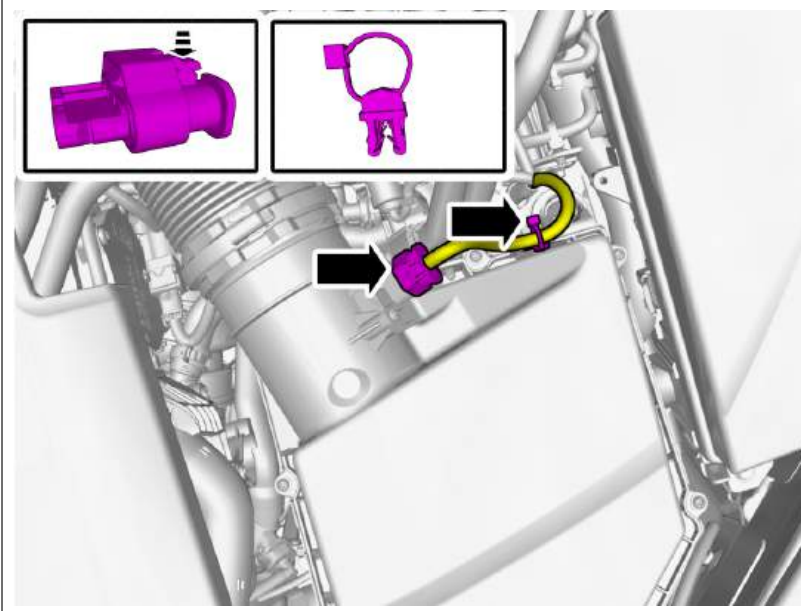
Remove the clips.
Remove the marked parts.



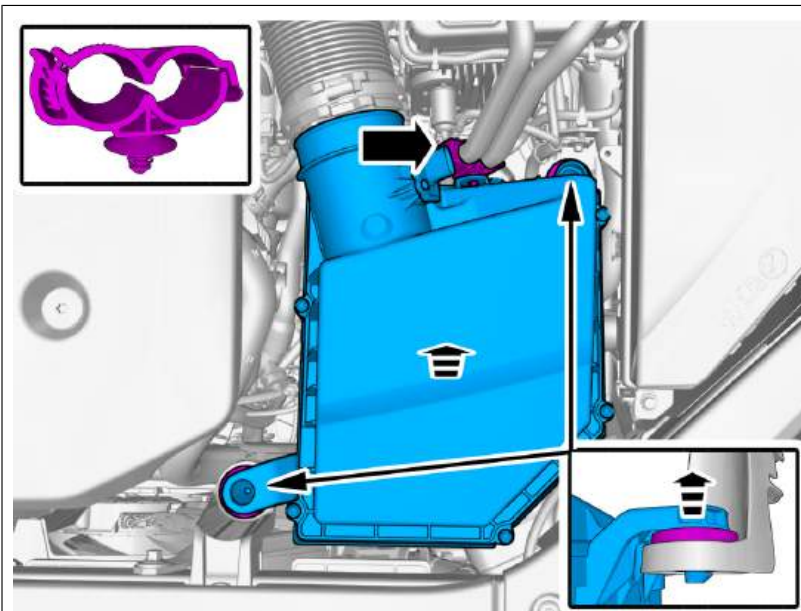
Remove the clip.
Remove the marked part.



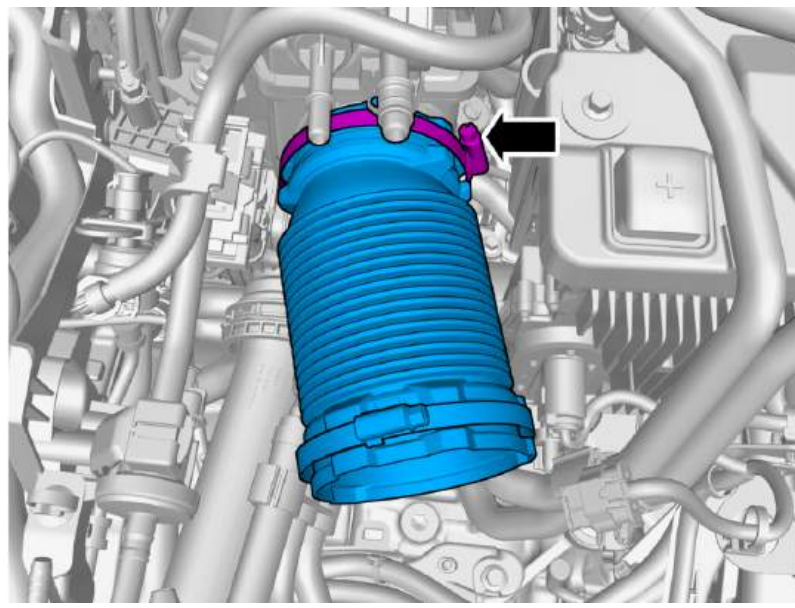
Loosen the hose clamp.
Undo the hose from the connection.



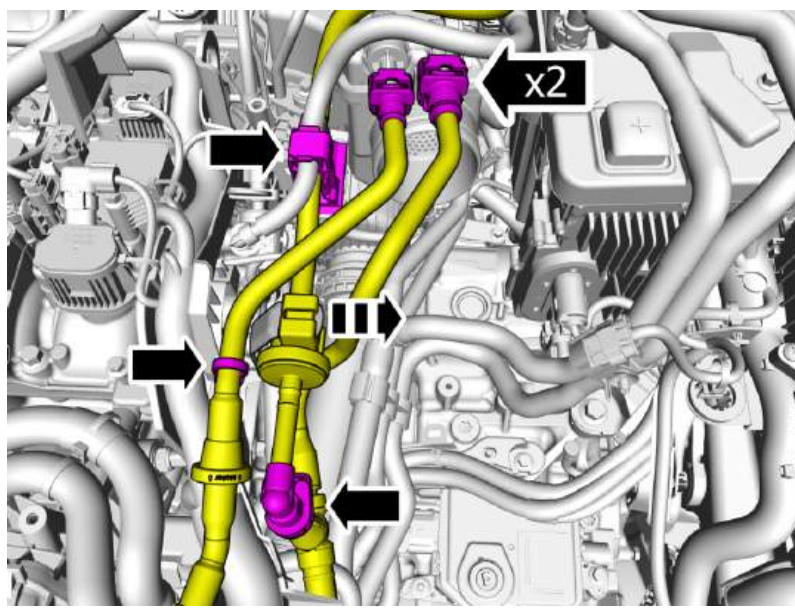
Disconnect the connector.
Remove the cable harness clips.



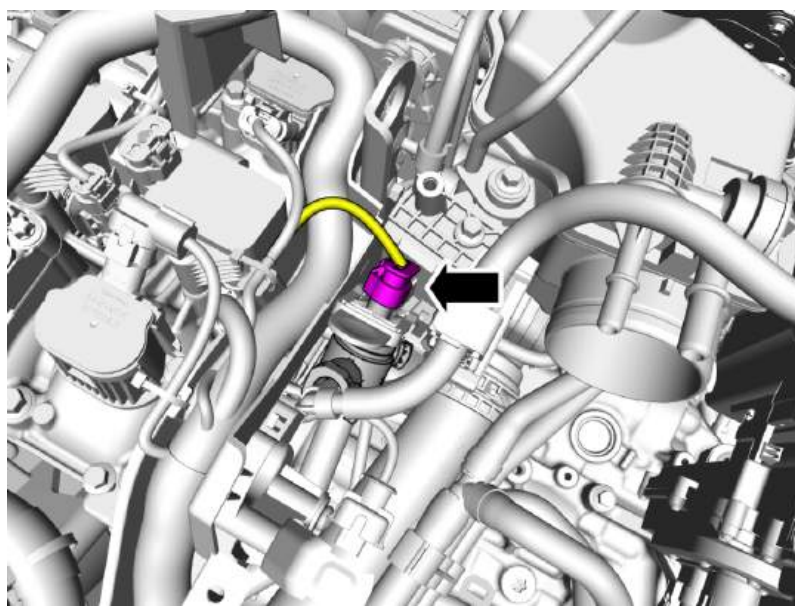
Loosen the clip.
Lift the marked component up



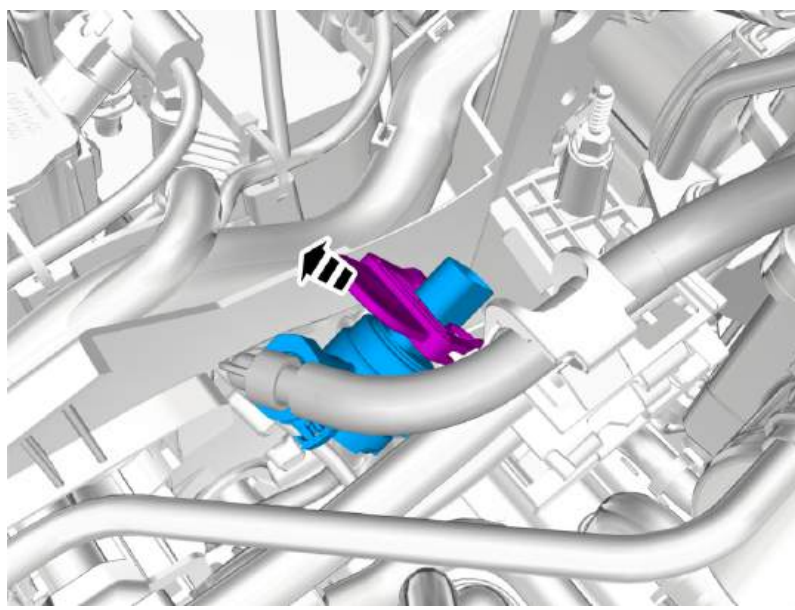
Loosen the hose clamp.
Remove the marked part.



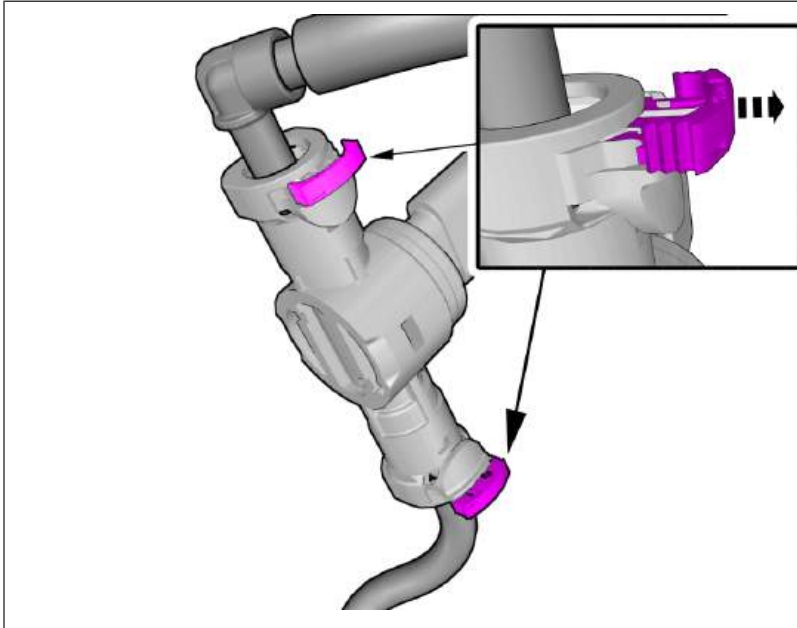
Remove the clips.
Release the locks.
Undo the hoses from the connections.
Fold marked parts aside.



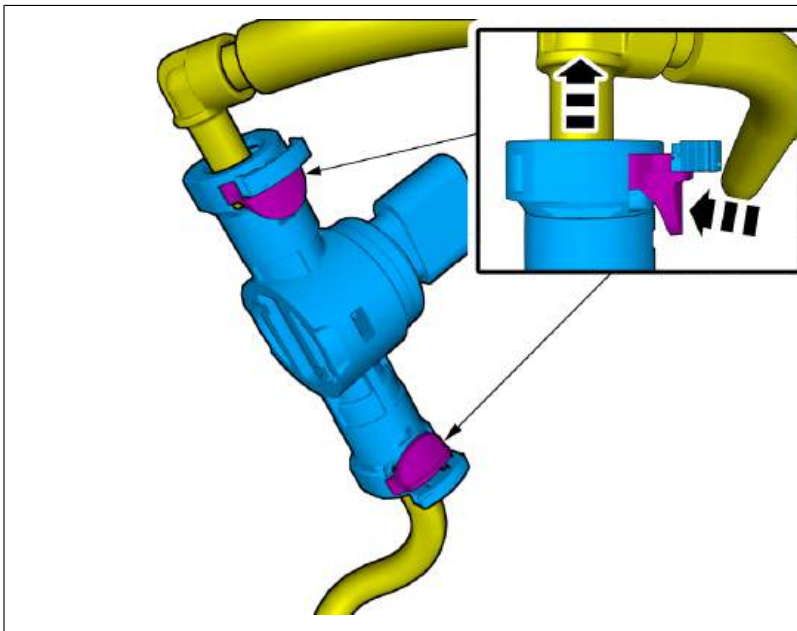
Disconnect the connector.



Loosen the clip.



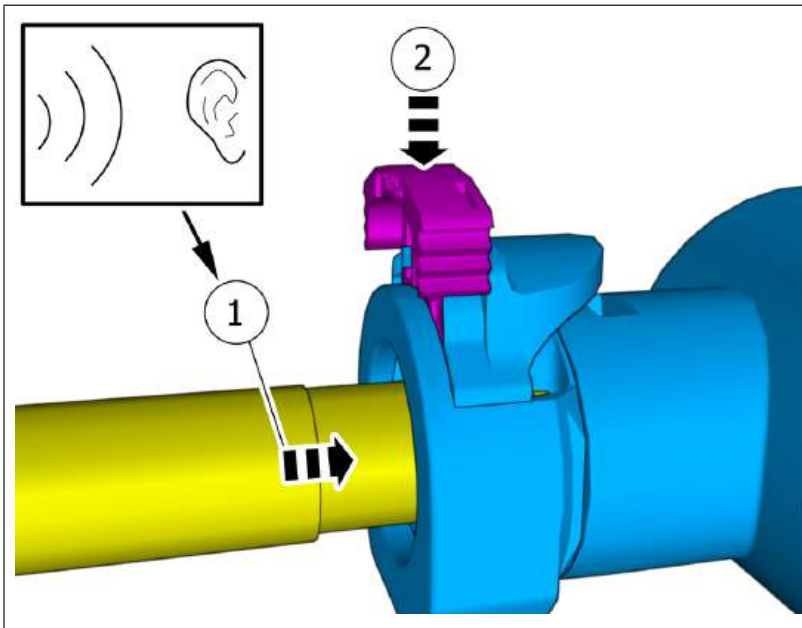
Release the locks.



Warning! Be prepared to collect escaping fluid.

Depress the locking devices.
Undo the hoses from the connections.
Fold marked part aside.
Remove the marked part.

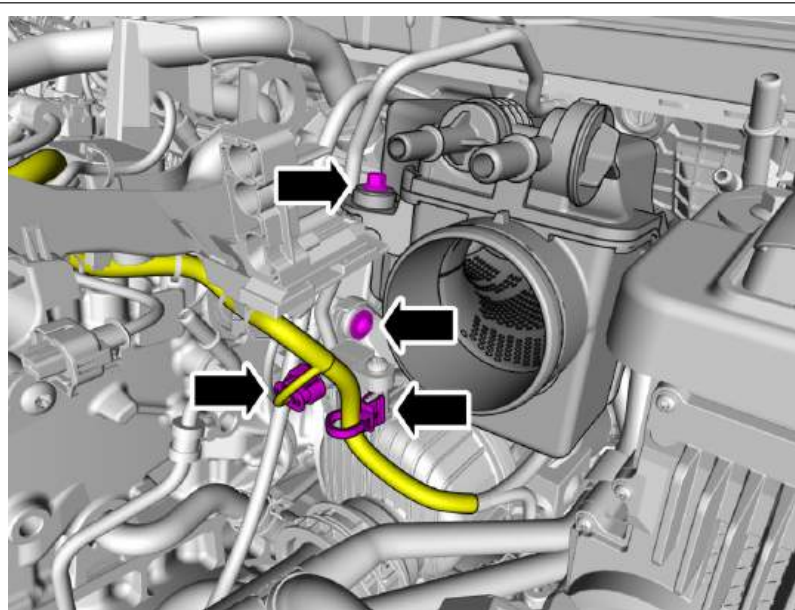
Extra information



On both sides.

- 1 . Press until a click is heard.
- 2 . Depress the locking devices.

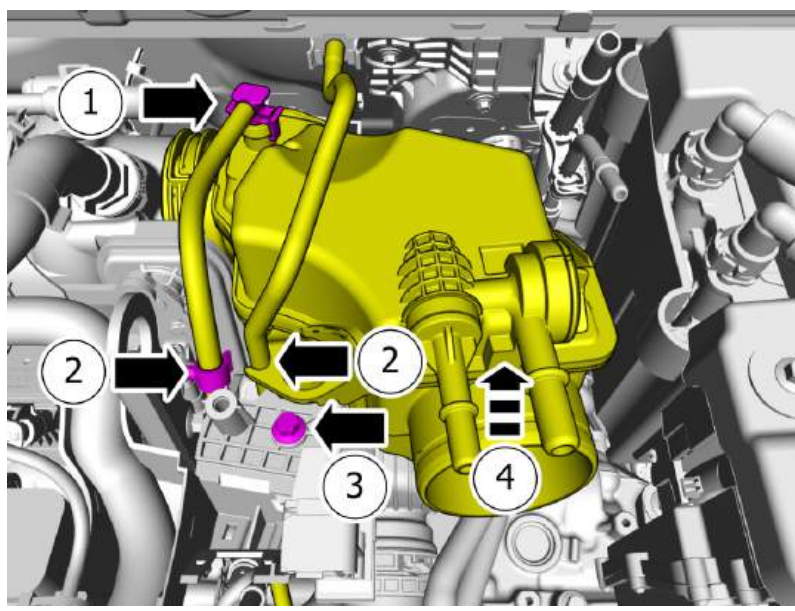
Continue the removal following the steps below.



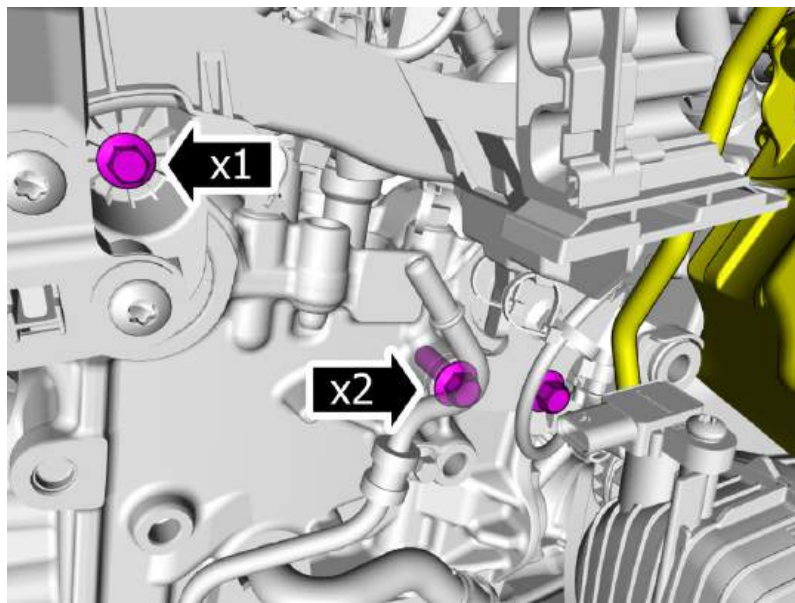
Remove the screws.
Disconnect the connector.
Loosen the clip.
Fold the cable harness aside.

Torque:

M6 , 10 Nm

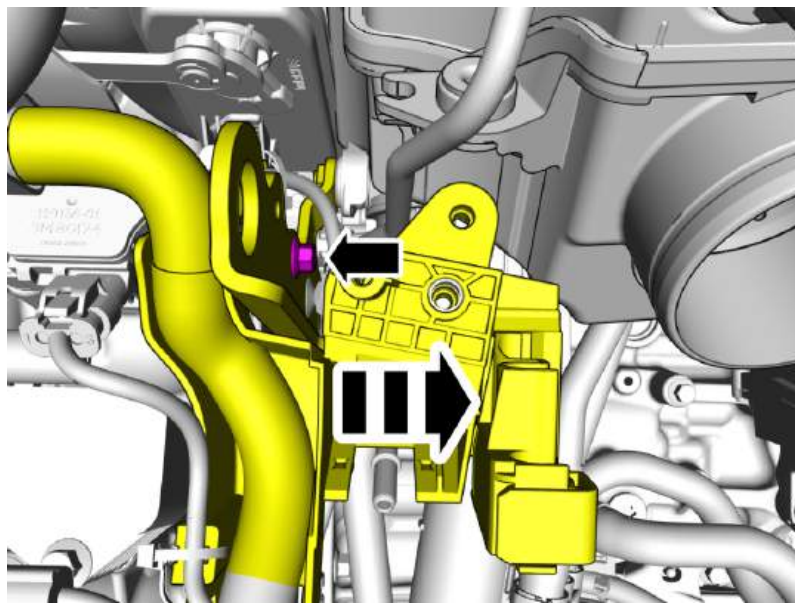


- 1 . Undo the hose from the connection.
- 2 . Loosen the marked details from the clip/ clips.
- 3 . Remove the screw.
- 4 . Turn in direction of arrow until stop.
- 5 . **Torque:**
M6 , 10 Nm

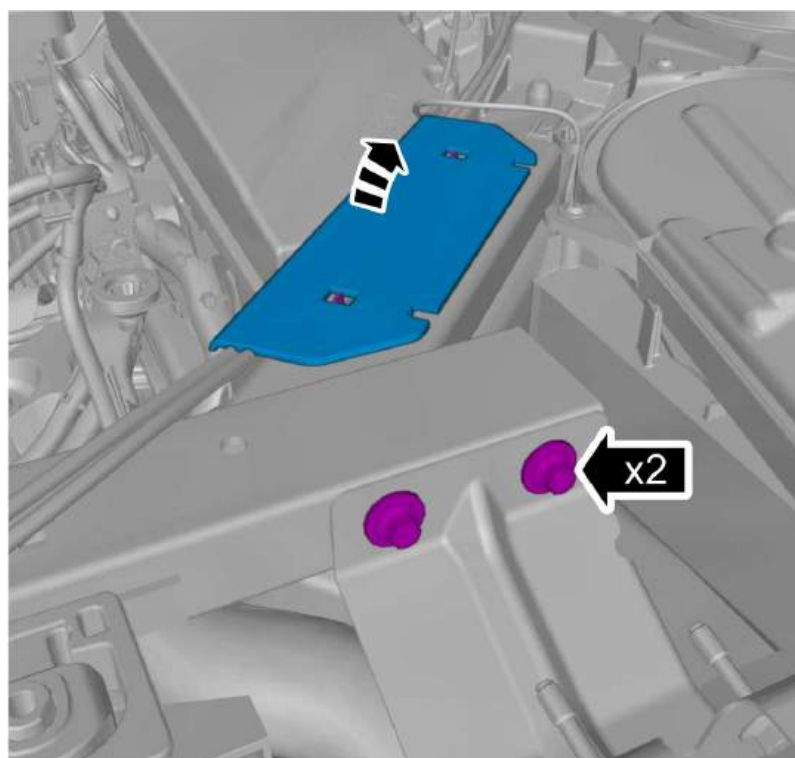


Remove the screws.

- 1 . **Torque:**
M6 , 10 Nm
- 2 . **Torque:**
M8 , 24 Nm



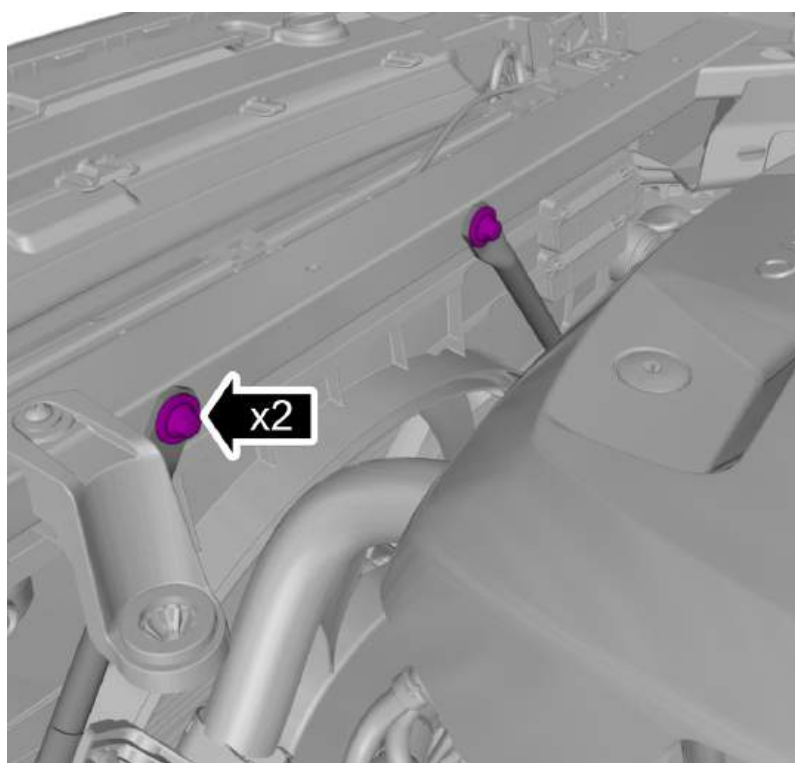
Fold marked parts aside.
Remove the screw.



Remove the marked part.
Remove the screws.
On both sides.

Torque:

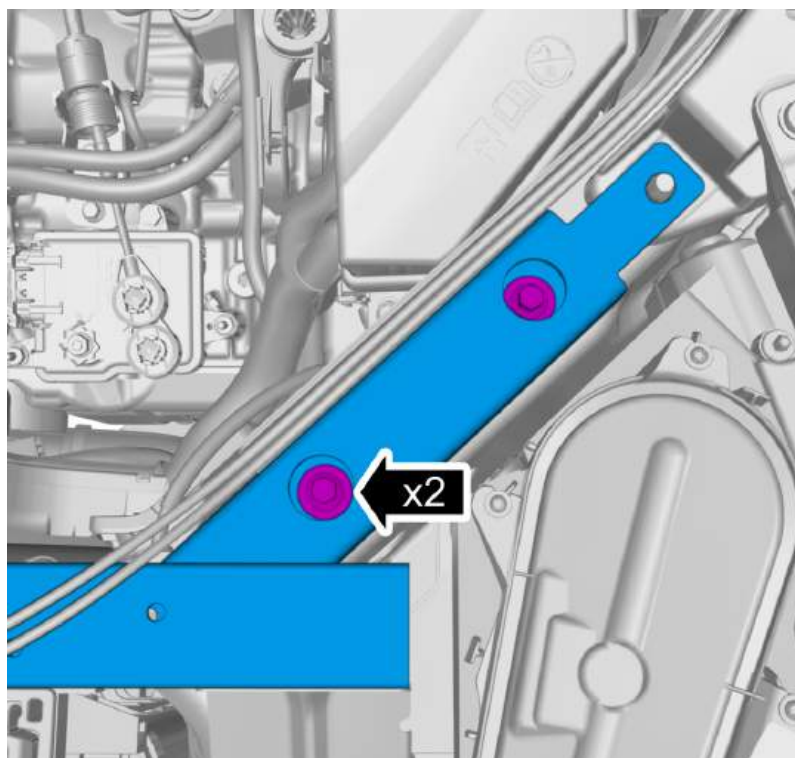
M6 , 10 Nm



Remove the screws.

Torque:

M8 , 24 Nm



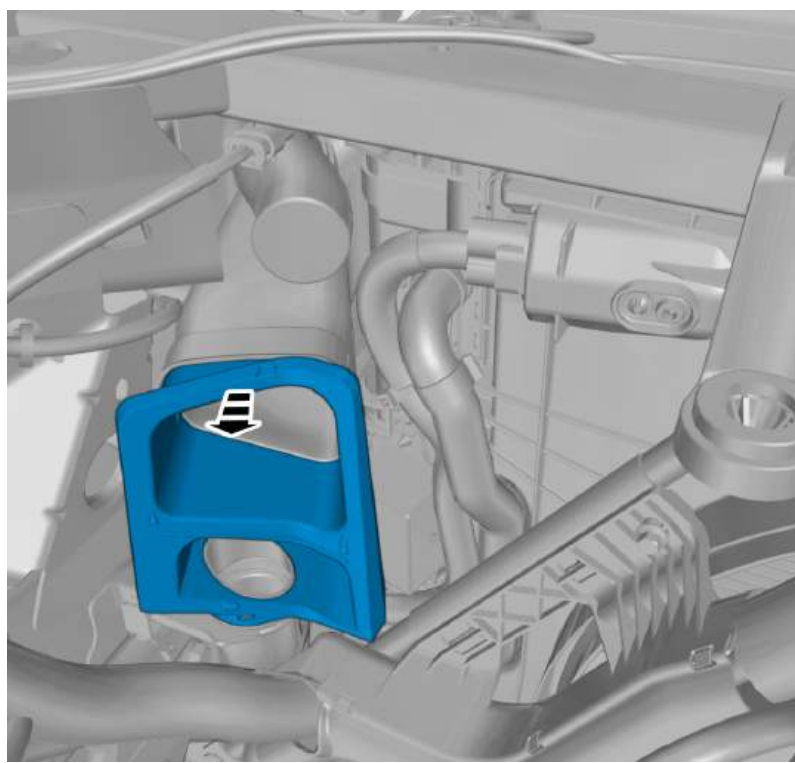
Remove the screws.

On both sides.

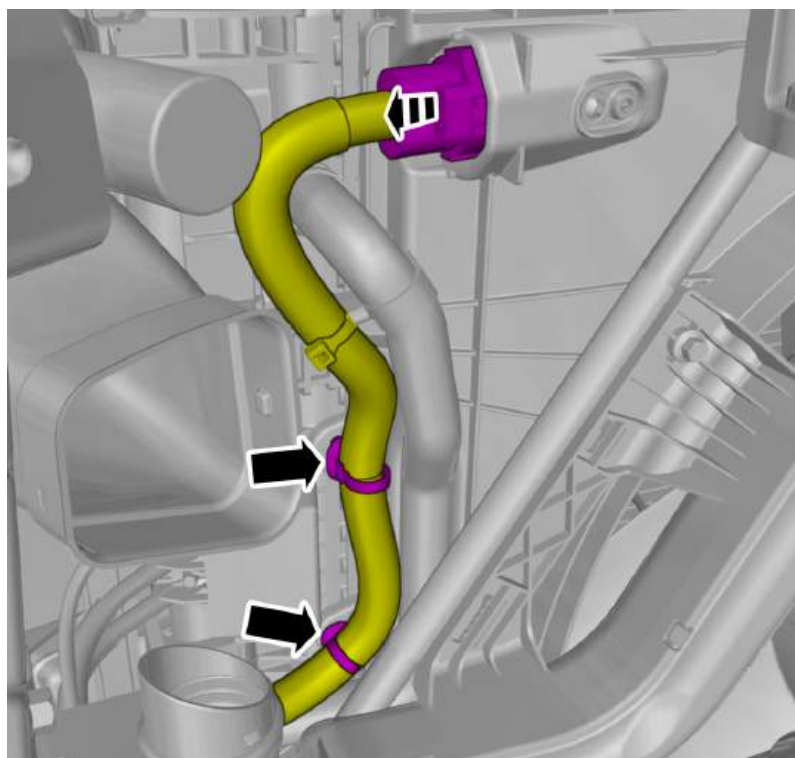
Torque:

Front end to upper side member , 30 Nm

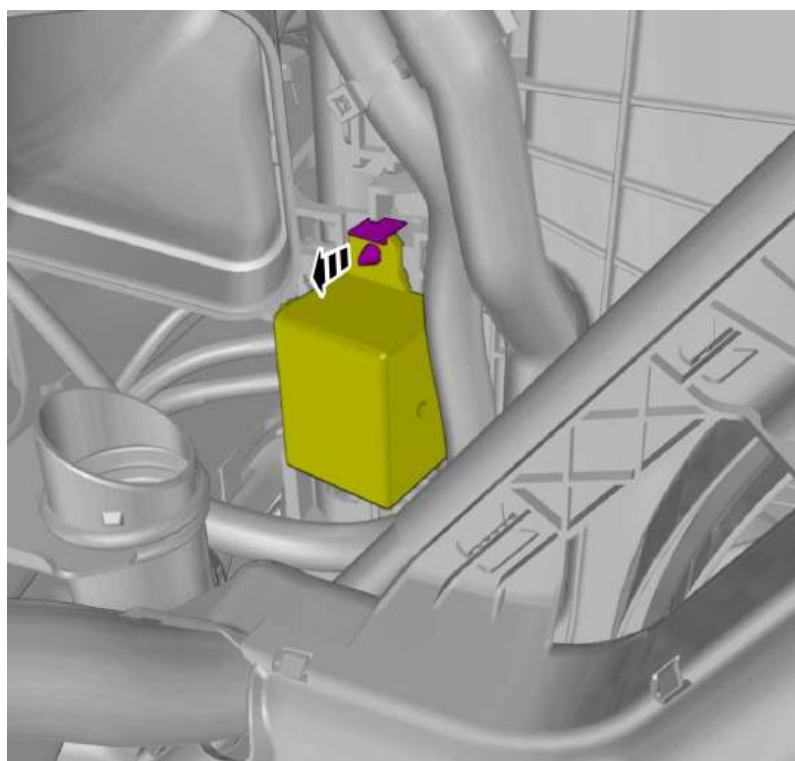
Remove the marked part.



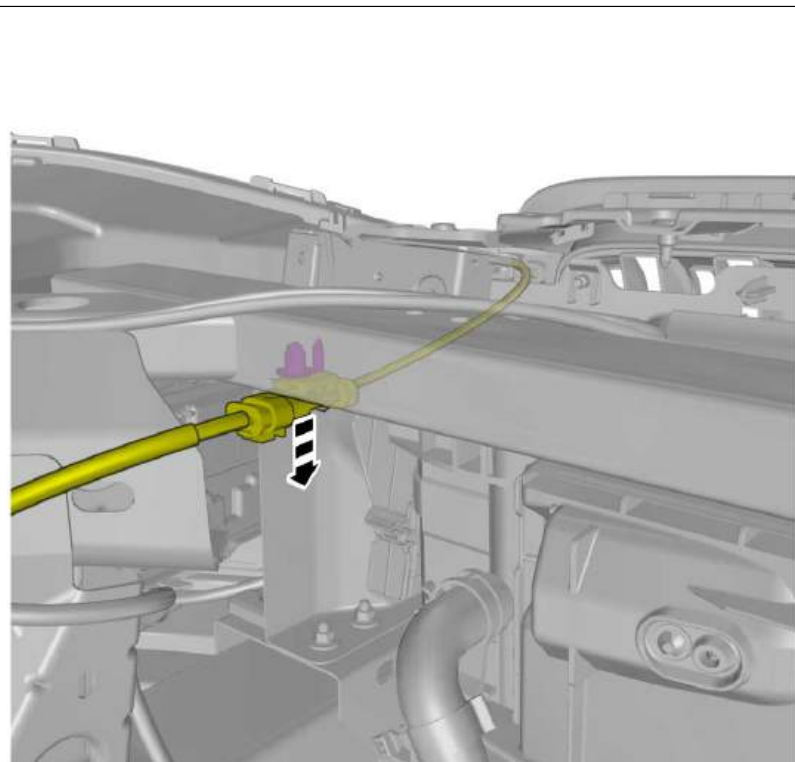
Remove the marked part.



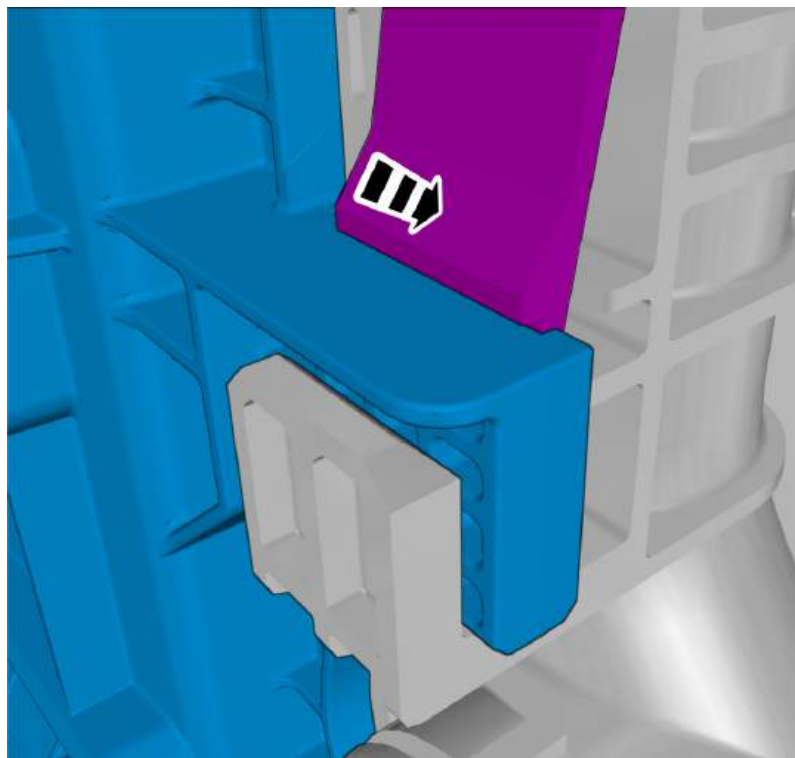
Disconnect the connector.
Remove the cable harness clips.



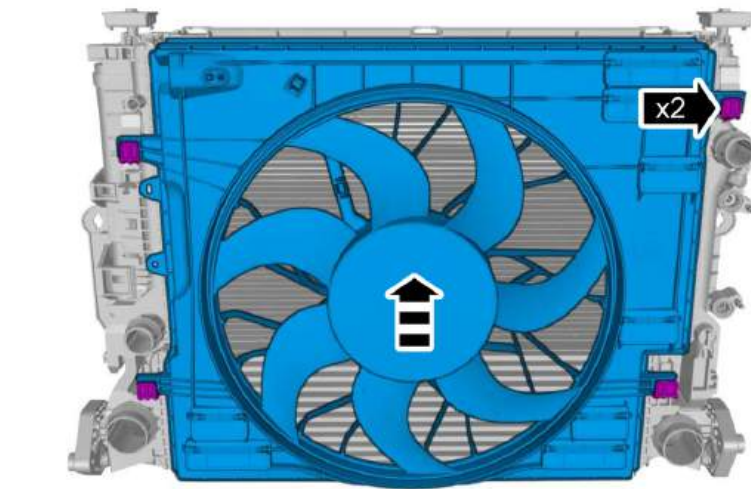
Fold marked part aside.



Remove the cable harness clips.

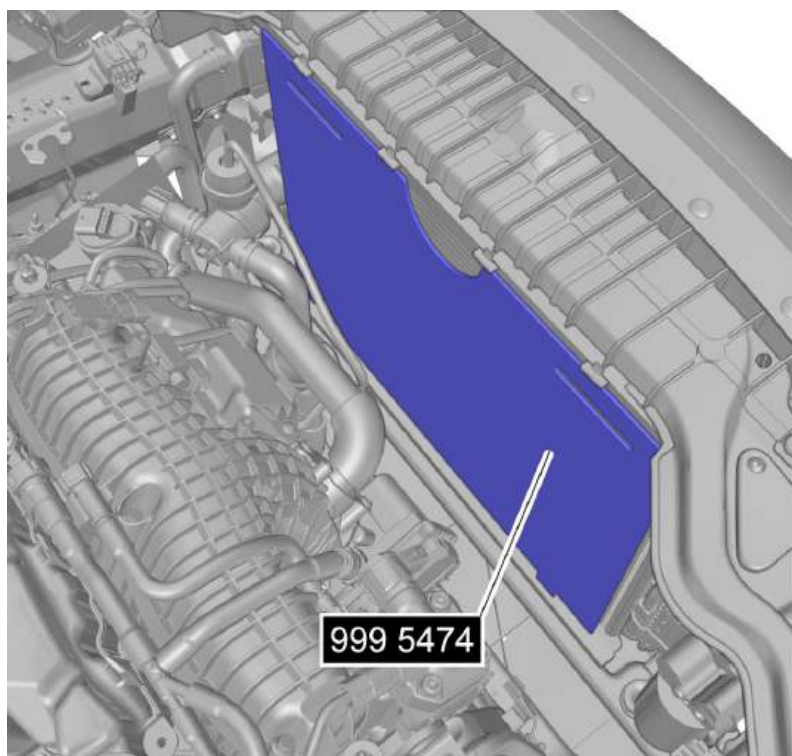


Press the marked component.



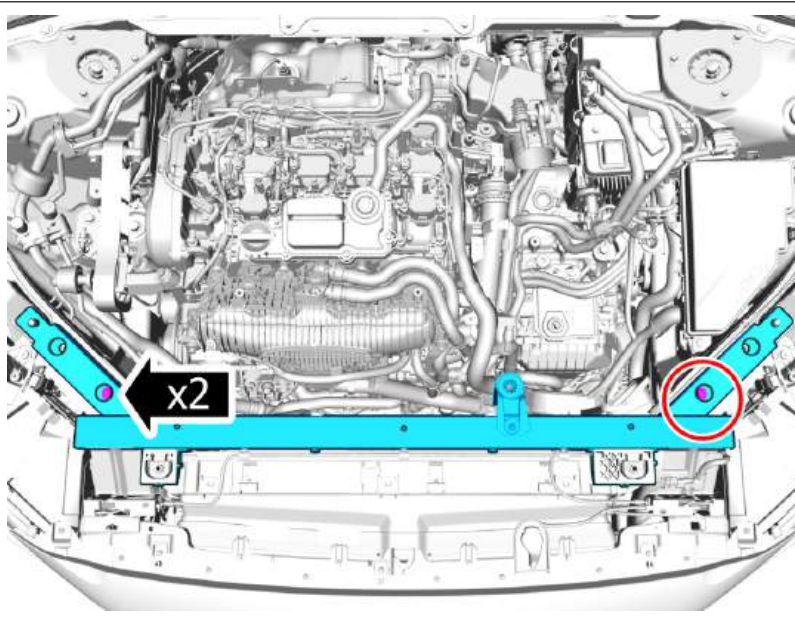
Hint: It may be necessary to twist or turn the component.

Remove the marked part.

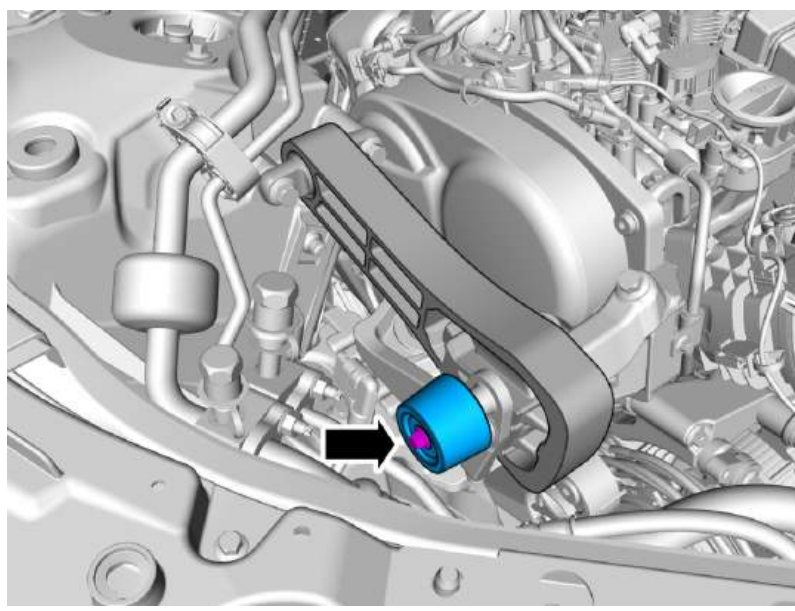


Place the component where indicated in the graphic.

Special Tool: T9995474, RADIATOR PROTECTION



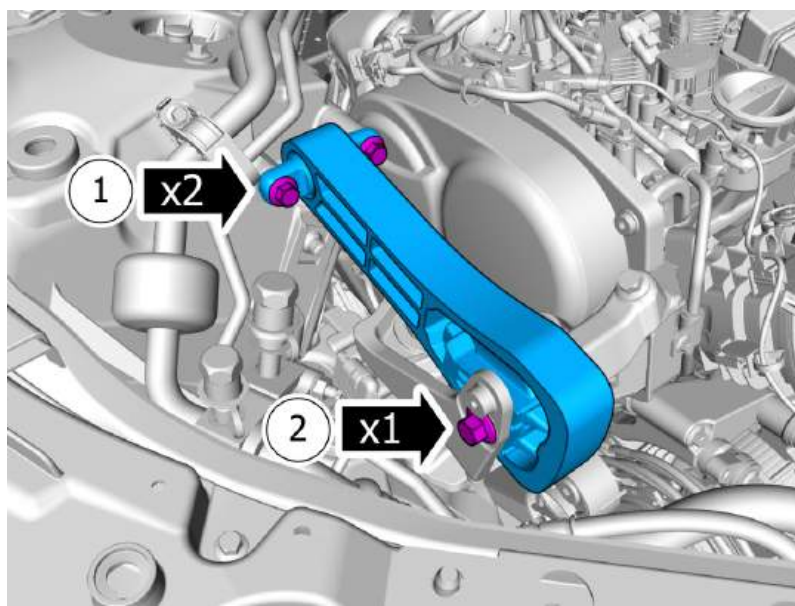
Install the marked component.
Install the screws.



Loosen the screw.
Remove the marked part.

Torque:

M6 , 10 Nm



Note! Make sure to follow the correct sequence during installation.

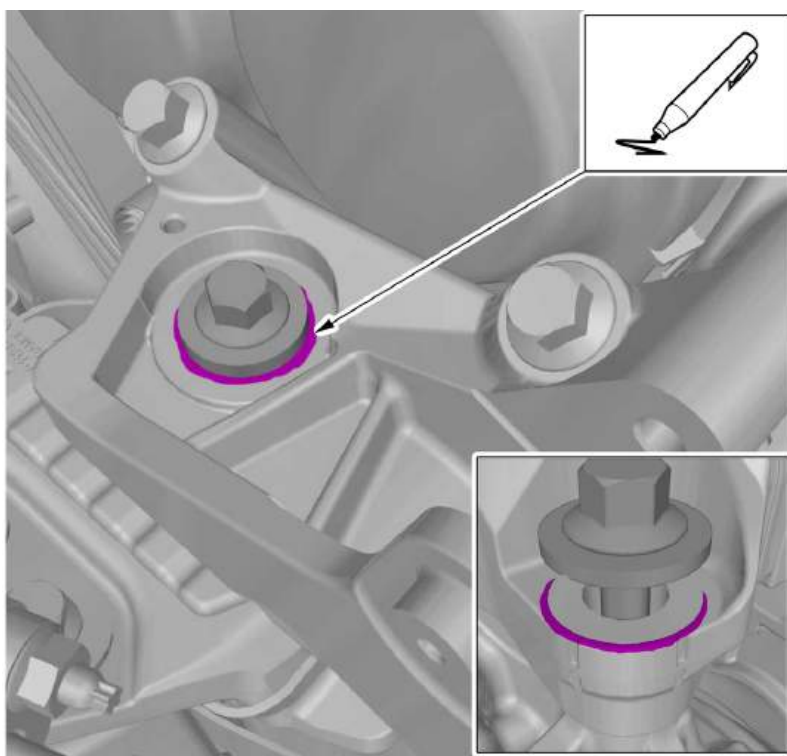
Remove the screws.

1 · **Torque:**

Upper torque rod to spring strut turret ,
60 Nm

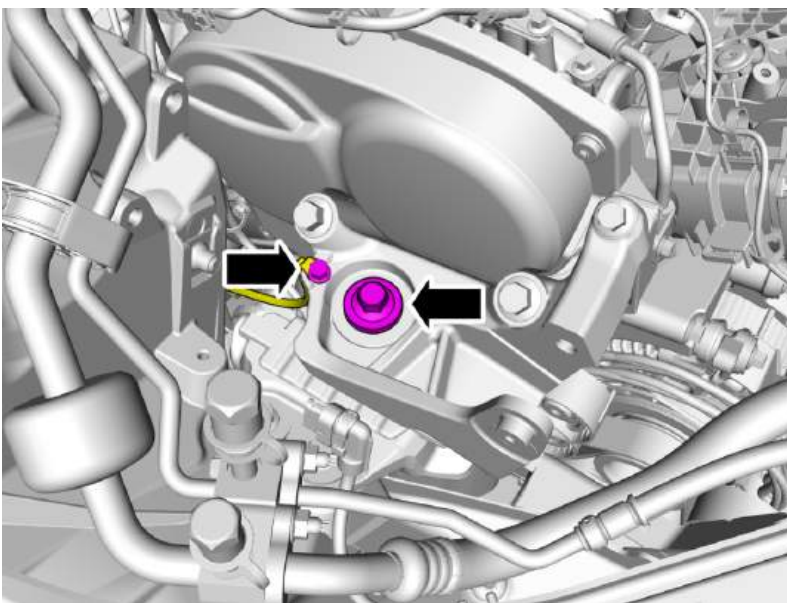
2 · **Torque:**

Upper torque rod to engine mount
bracket , 110 Nm



Caution! Note the position of the component before removal.

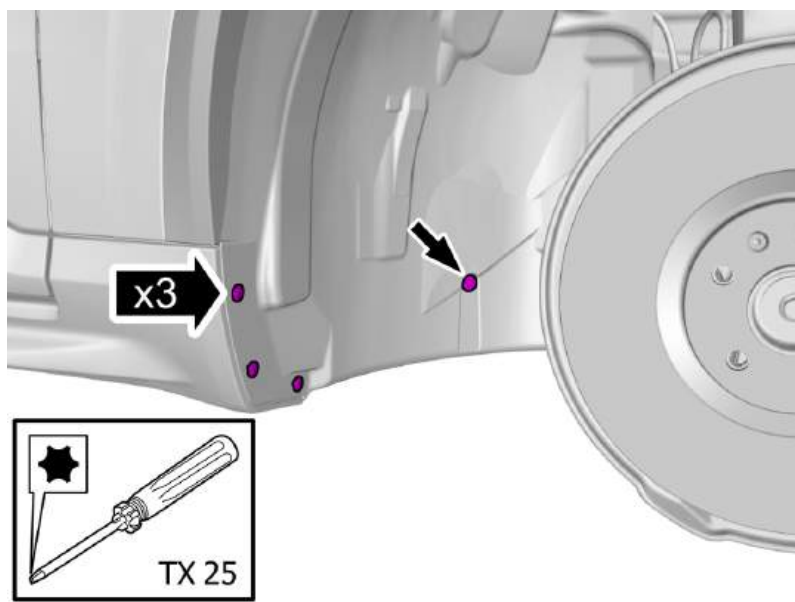
Use: Marker pen



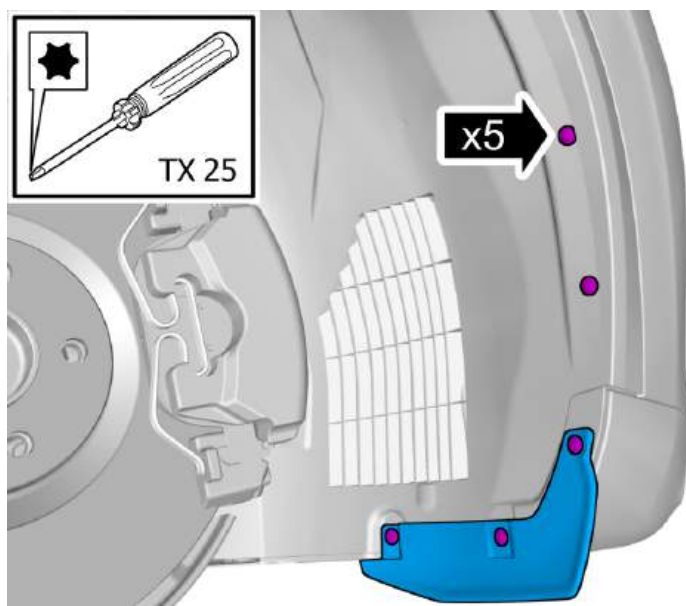
Remove the screws.

- 1 · **Torque:**
M6 , 10 Nm
- 2 · **Torque:**
Engine mount bracket, to Engine pad ,
110 Nm

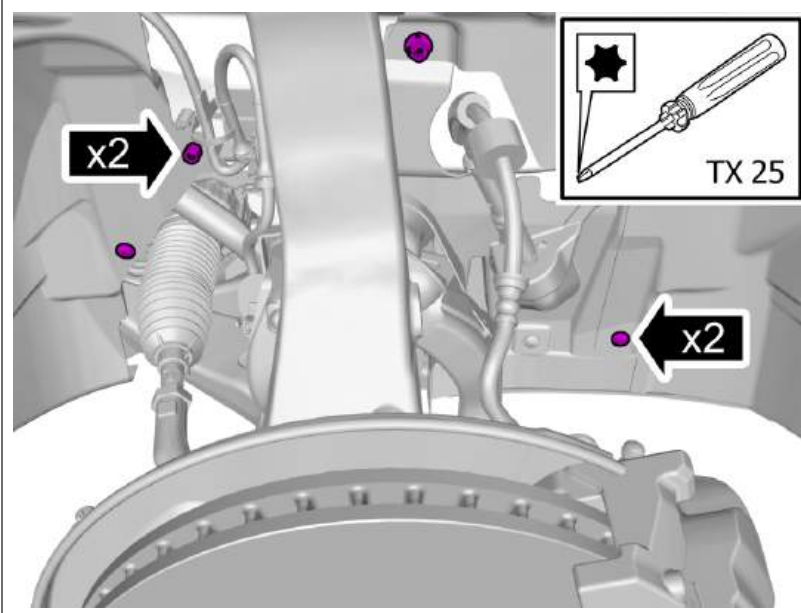
Remove right side the front wheel , refer to:
Removal, replacement and installation
7 - Springs and wheels
77 - Wheels, tyres
770 - complete wheels



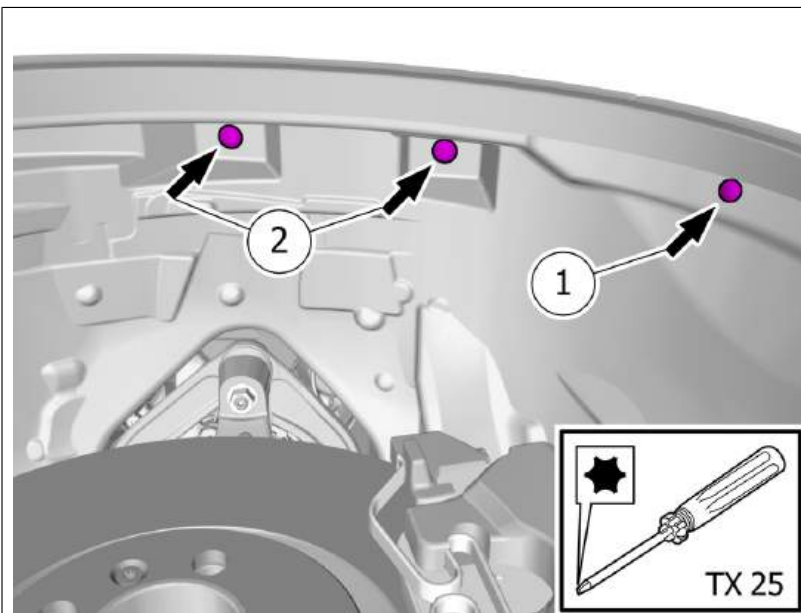
Remove the clip.
Remove the screws.



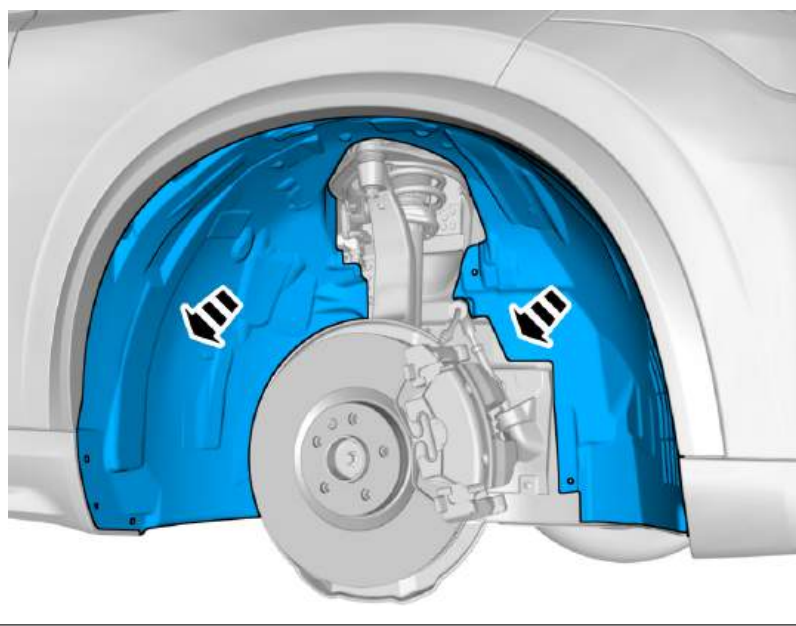
Remove the screws.
Remove the marked part.



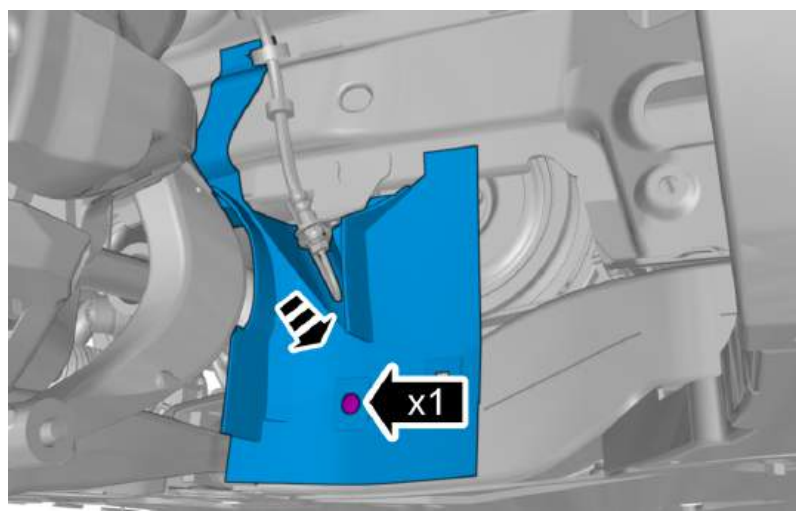
Remove the screws.
Remove the nuts.



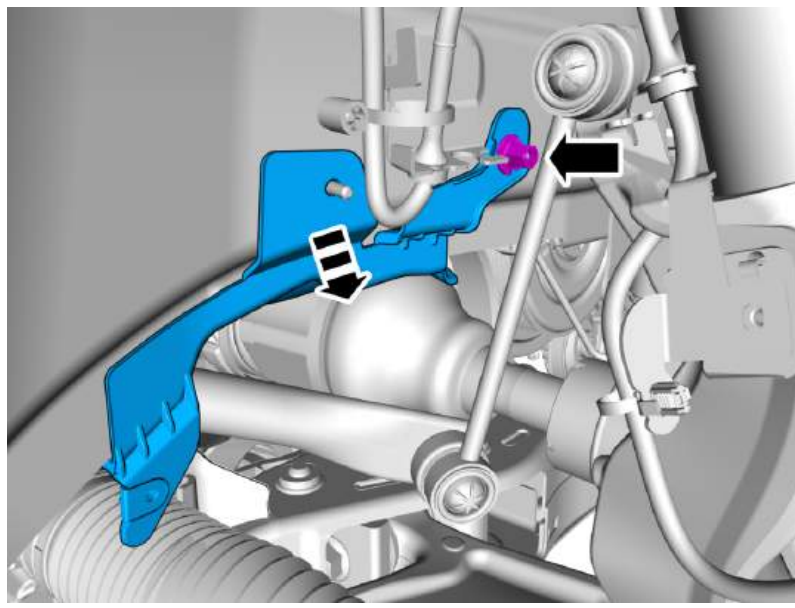
Remove the screw.
Remove the clips.



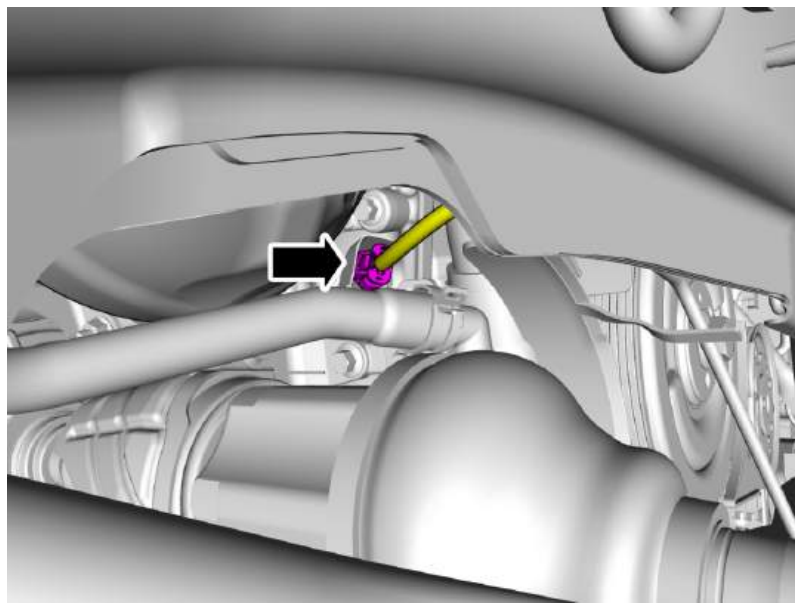
Remove the marked part.



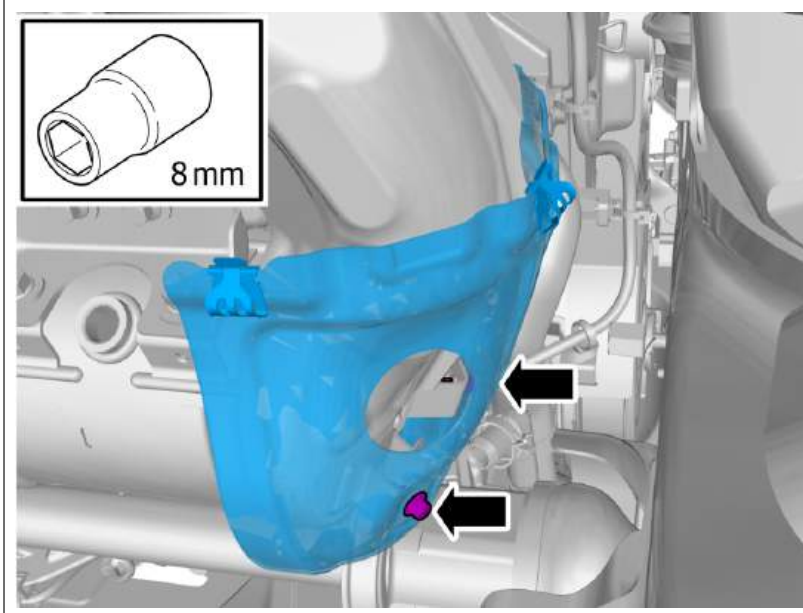
Remove the screw.
Remove the marked part.



Remove the nut.
Remove the marked part.

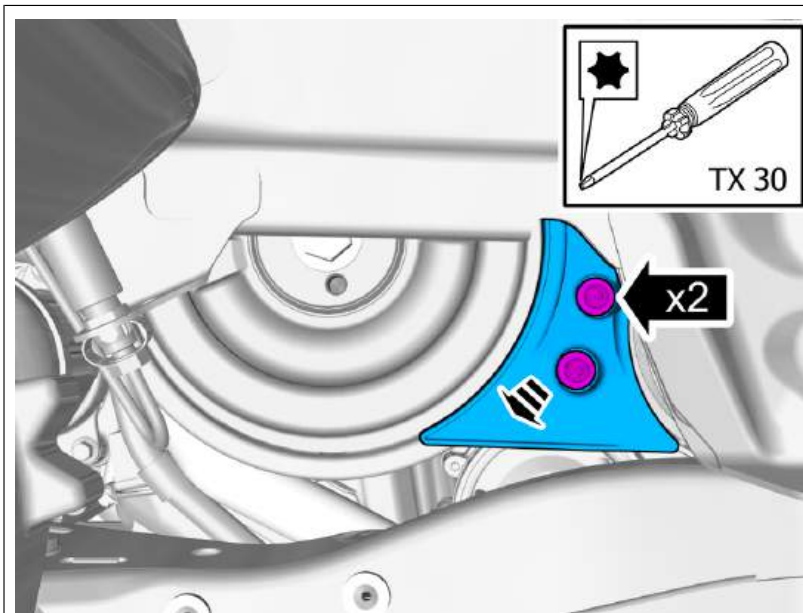


Disconnect the connector.
Remove the cable harness clips.



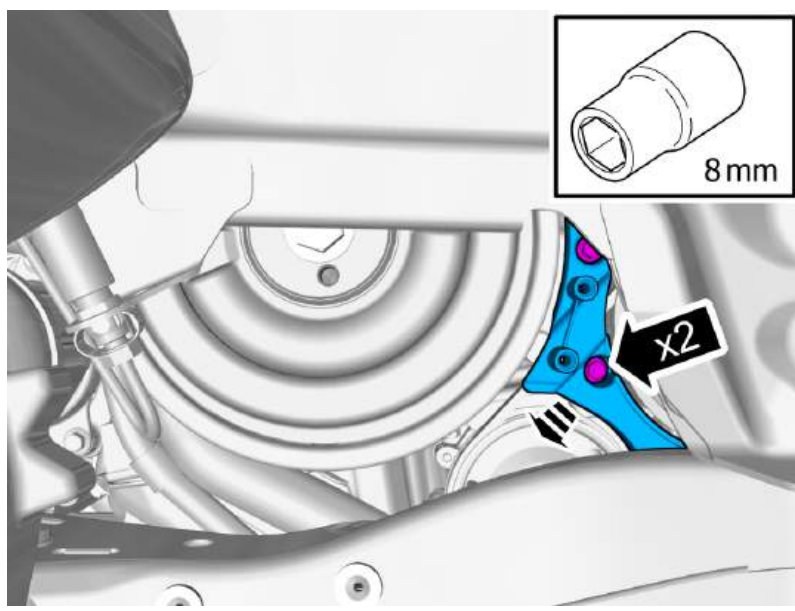
Note! Do not loosen the bolts more than 2 turns.

Loosen the screws.



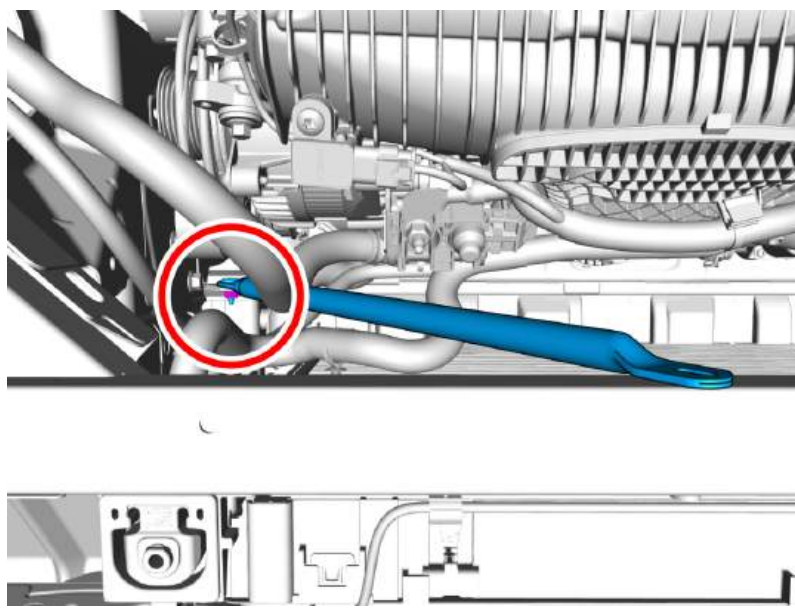
Remove the screws.

Remove the marked part.

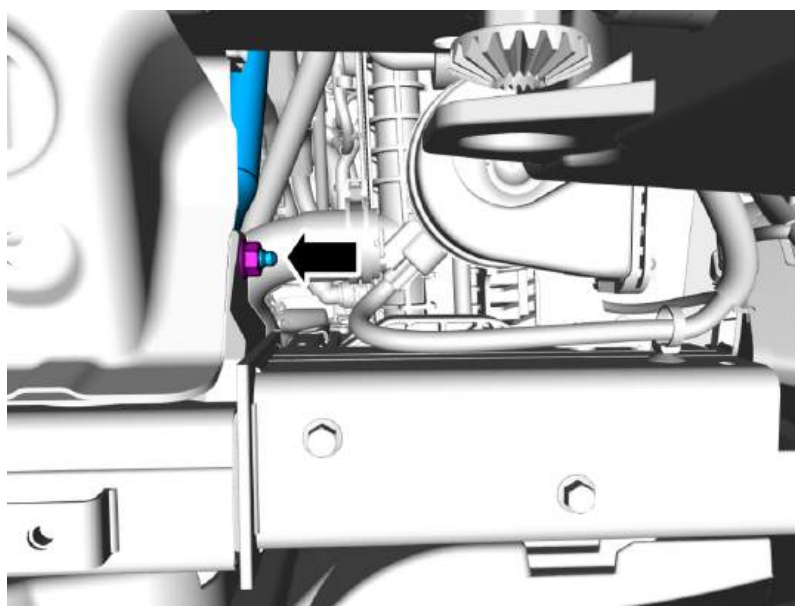


Remove the screws.
Remove the marked part.

Torque:
M6 , 10 Nm



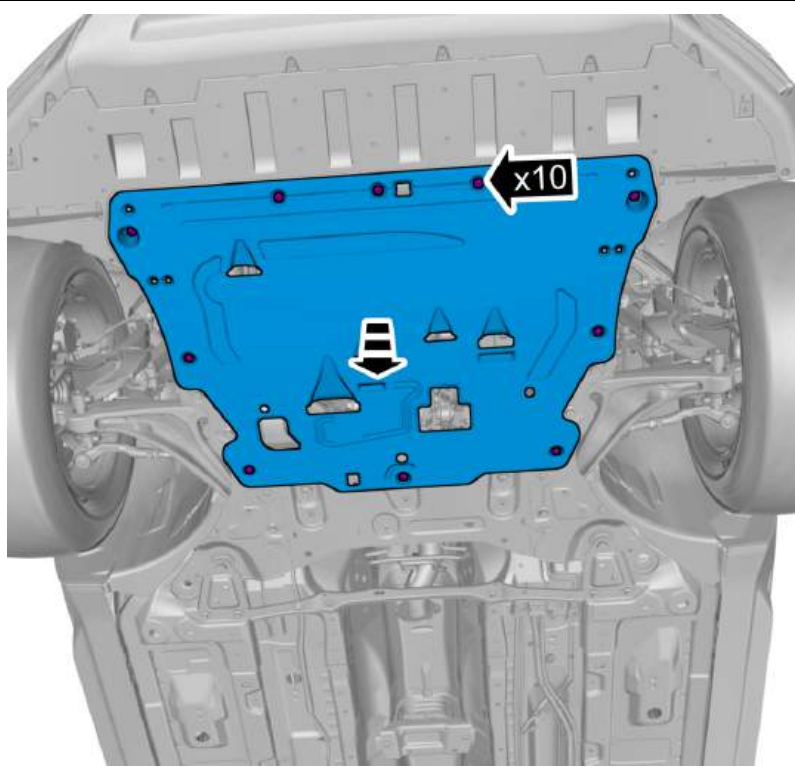
Note! Orientation view



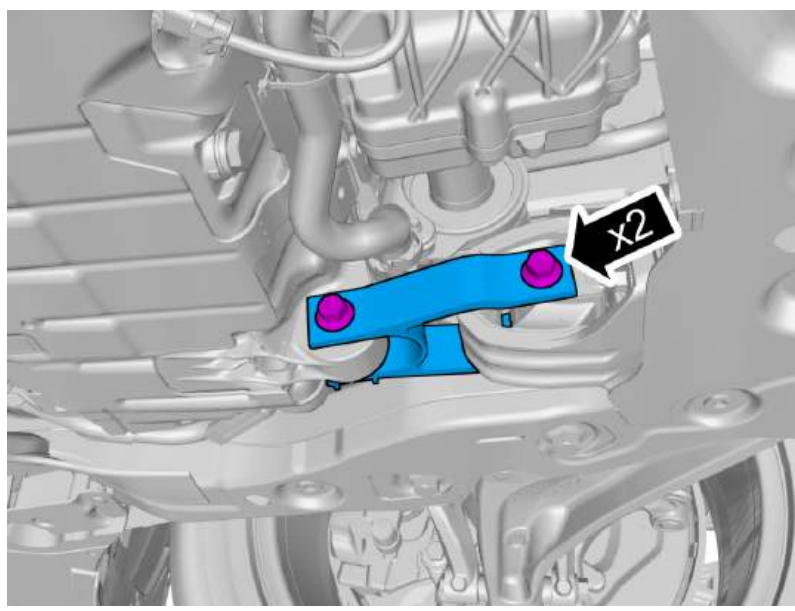
Remove the nut.
Remove the marked part.

Torque:

M8 , 24 Nm



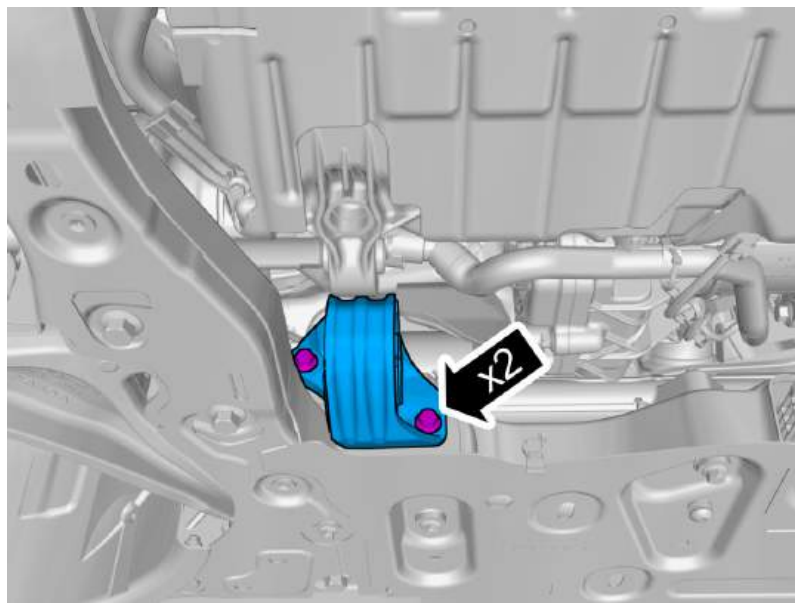
Remove the screws.
Remove the clips.
Remove the marked part.



Remove the screws.
Remove the marked part.

Torque:

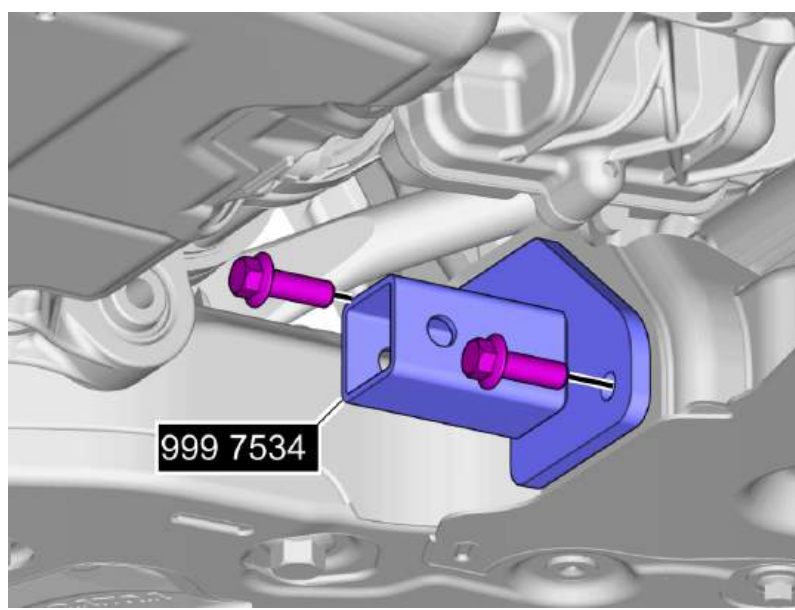
Lower torque rod rear right, to Engine mount bracket , 110 Nm



Remove the screws.
Remove the marked part.

Torque:

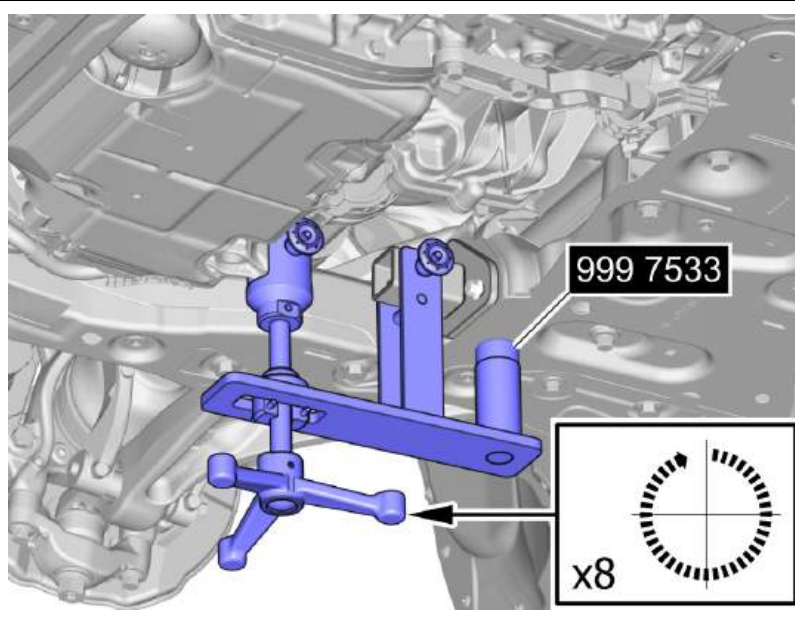
Lower torque rod rear right, to subframe , 60 Nm



Install the Special tool.
Install the screws.

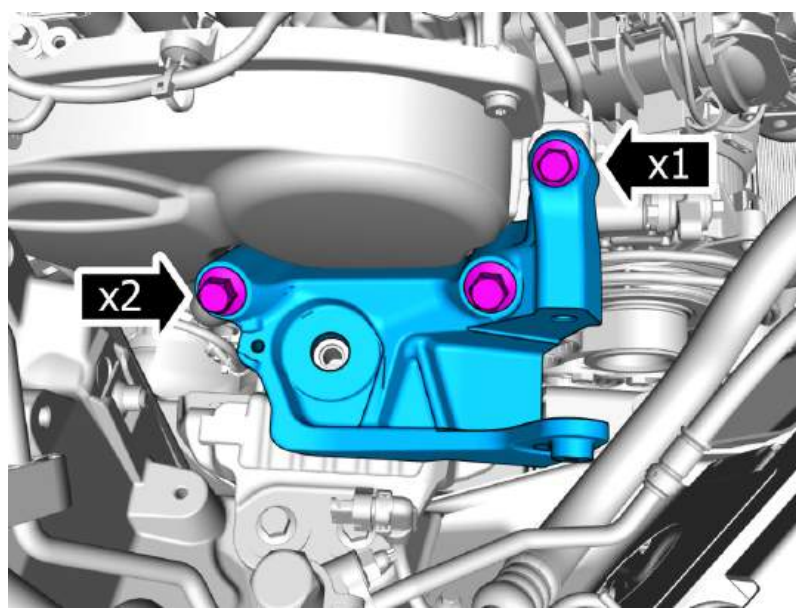
Use: Screw M10 x 20 mm

Special Tool: T9997534, Mounting



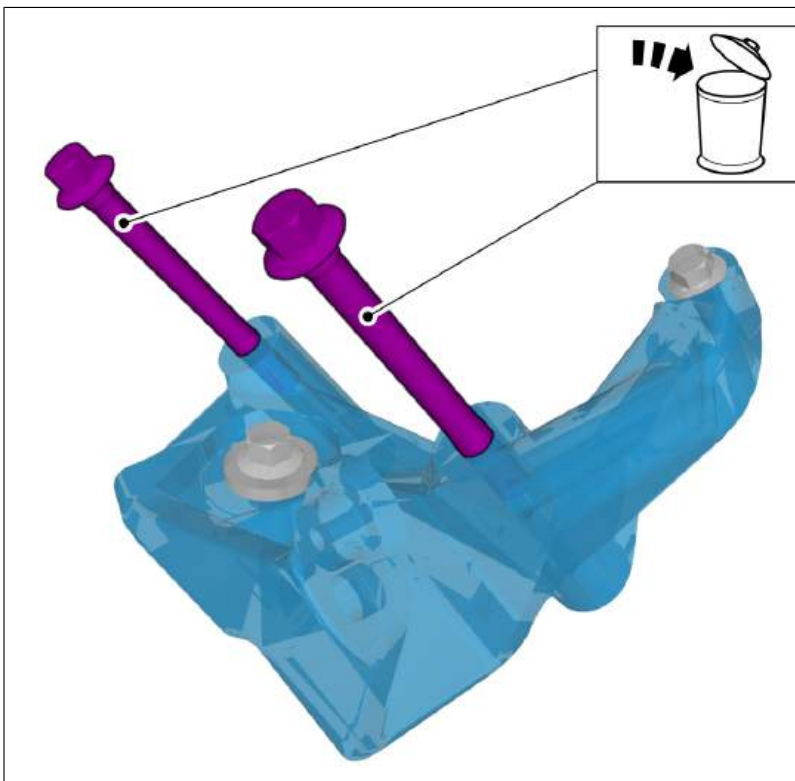
Install the Special tool.
Adjust to the specified value.

Special Tool: T9997533, Support



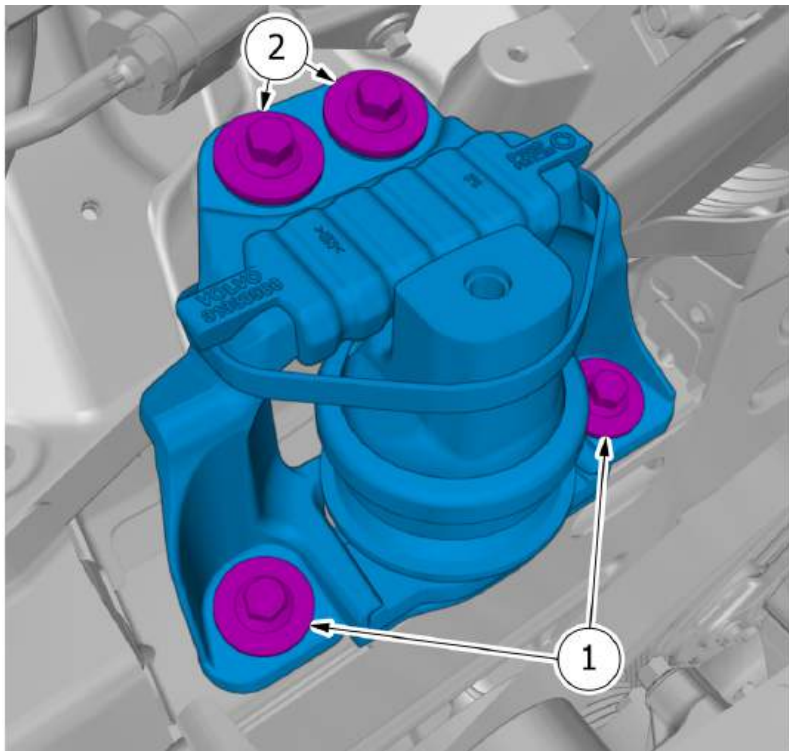
Remove the screws.
Remove the marked part.

1. **Torque:**
 - Stage 1 : Engine mount bracket, to Cylinder head, M12 , 90 Nm
 - Stage 2 : Engine mount bracket, to Cylinder head, M12 , 130°
2. **Torque:**
 - Engine mount bracket, to Cylinder head, M10 , 60 Nm



Caution! Make sure that new bolts are installed.

Vehicles early version



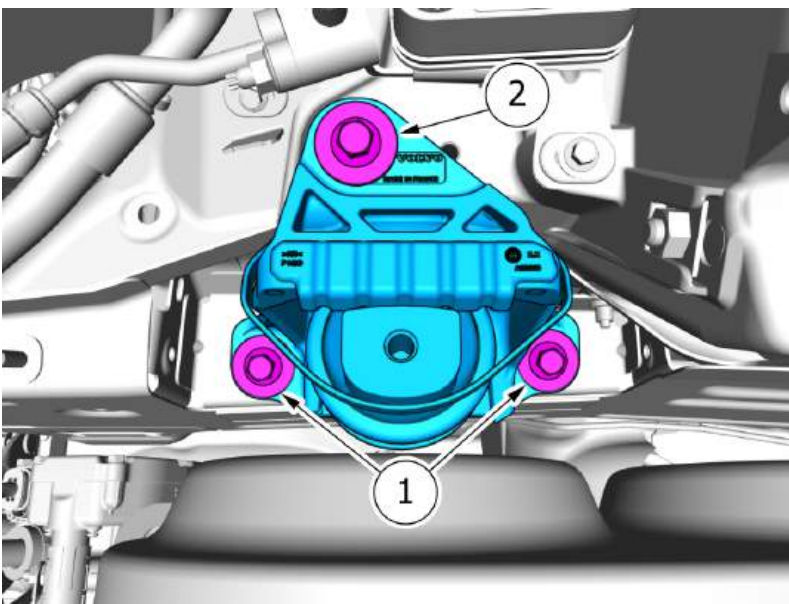
Note! Make sure to follow the correct sequence during installation.

Remove the screws.
Remove the marked part.

Torque:

Right-hand engine pad to body frame ,
60 Nm

Vehicles late version



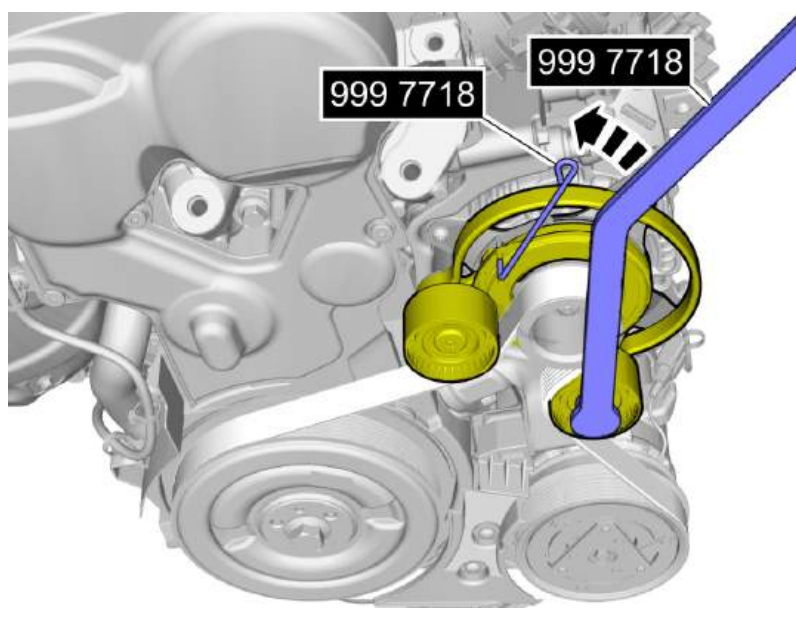
Note! Make sure to follow the correct sequence during installation.

Remove the screws.
Remove the marked part.

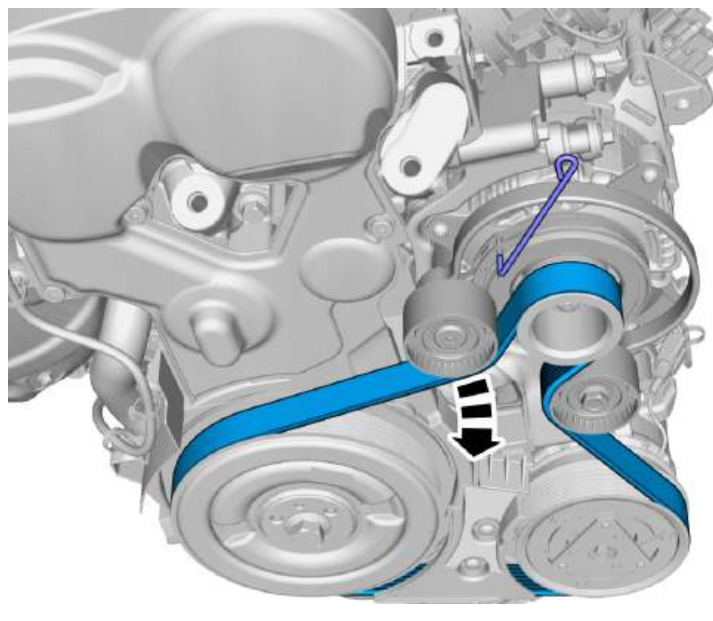
Torque:

Right-hand engine pad to body frame ,
60 Nm

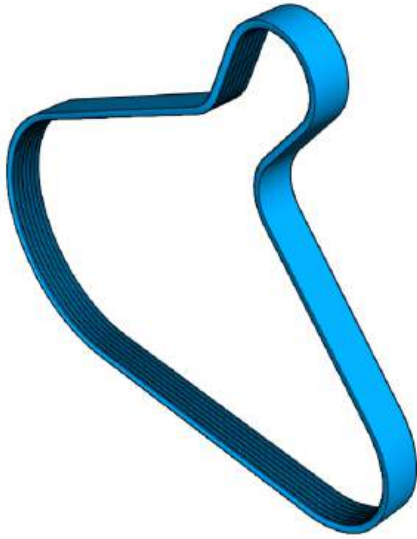
All vehicles



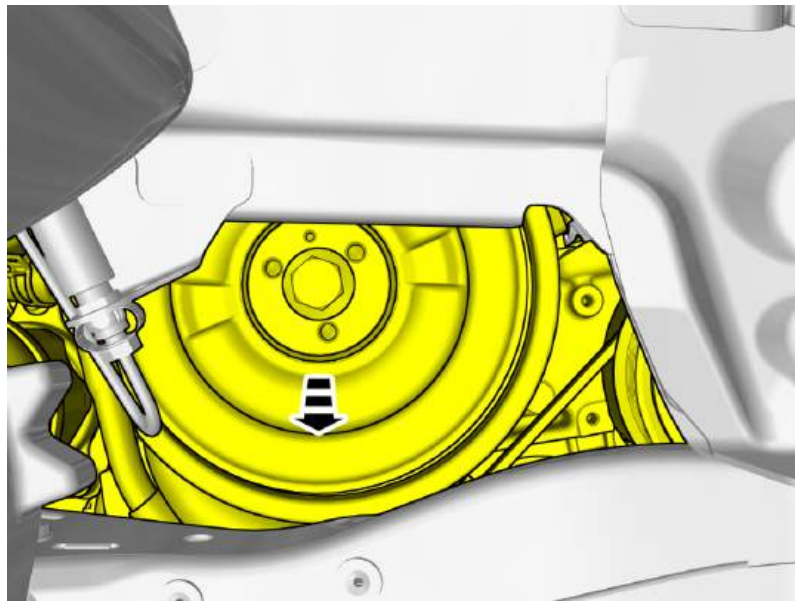
Special Tool: T9997718, Counterhold



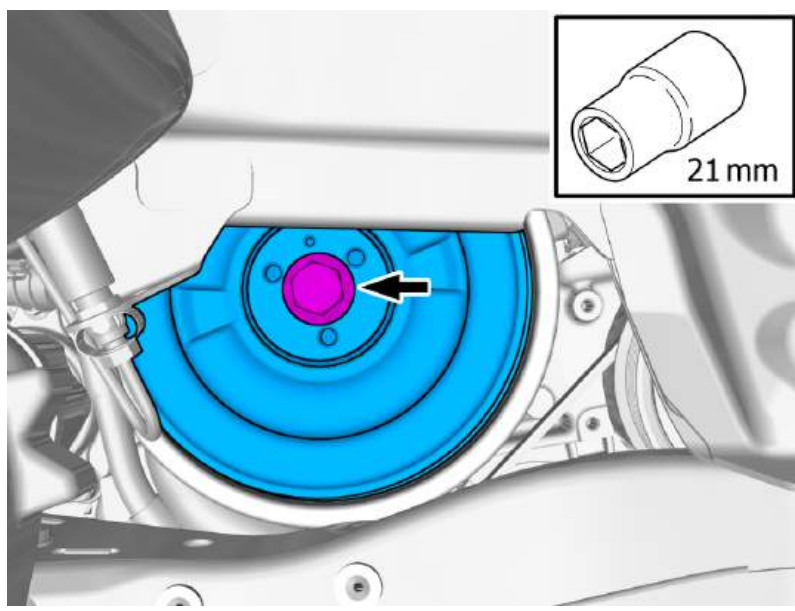
Remove the marked part.



Note! The component can be reused unless it has been subjected to abnormal mechanical stress, damage or oil contamination.

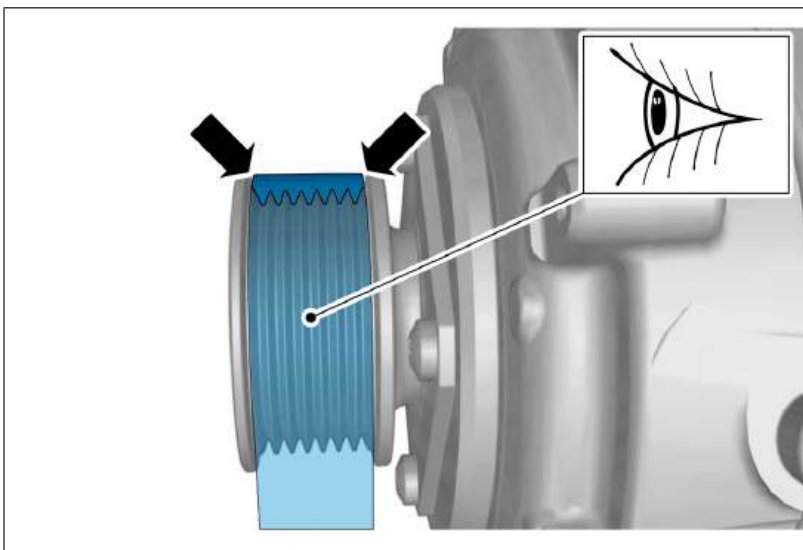


Lower the engine.



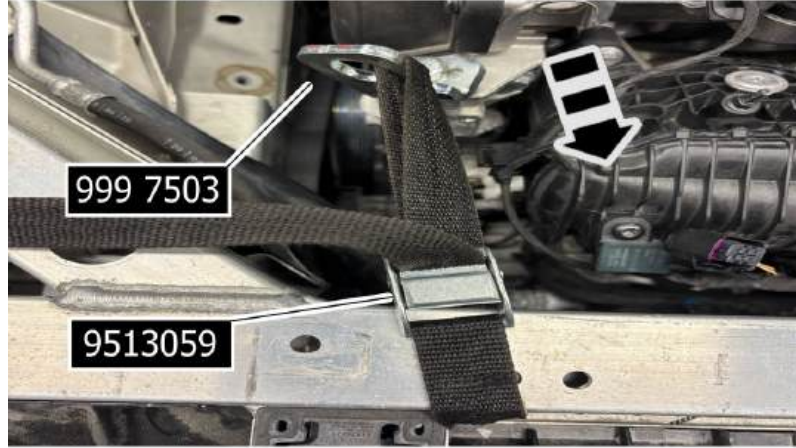
Note! Note the position of the component before removal.

Extra information

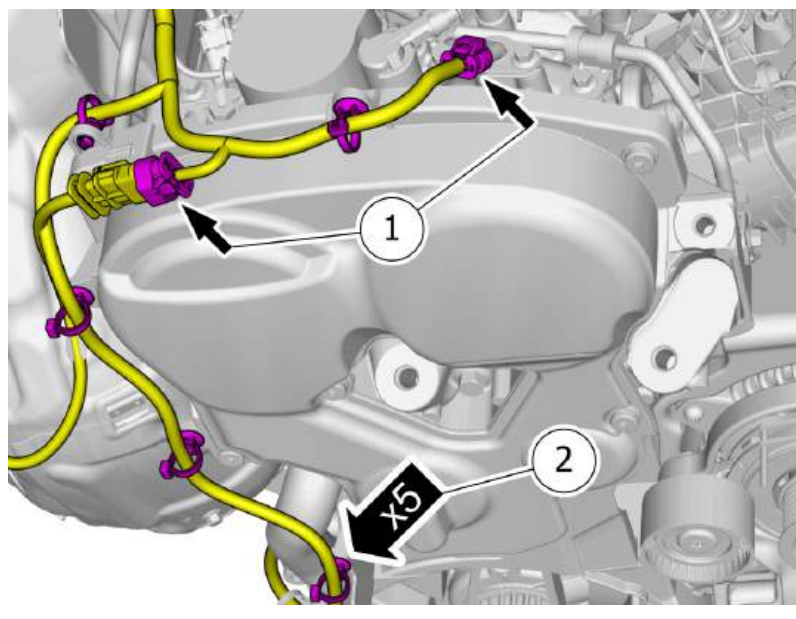


Caution! Make sure that the component is positioned correctly.

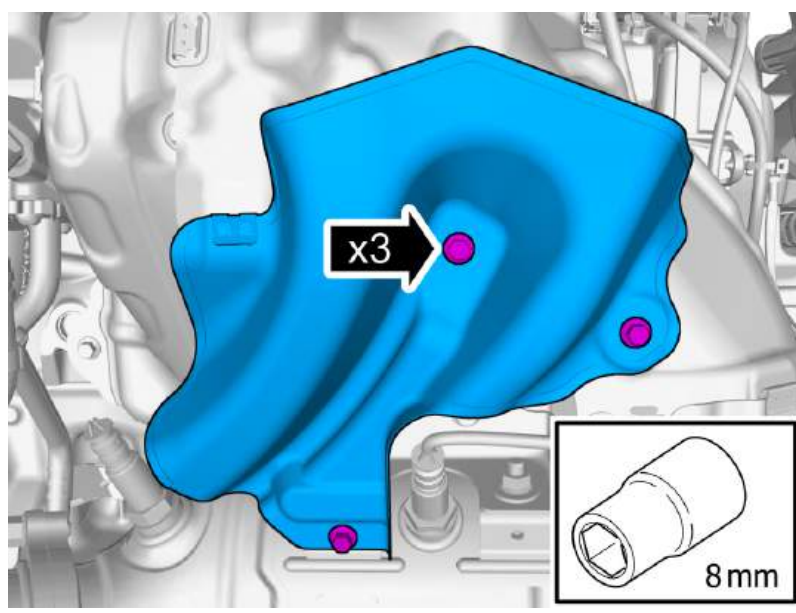
Continue the removal following the steps below.



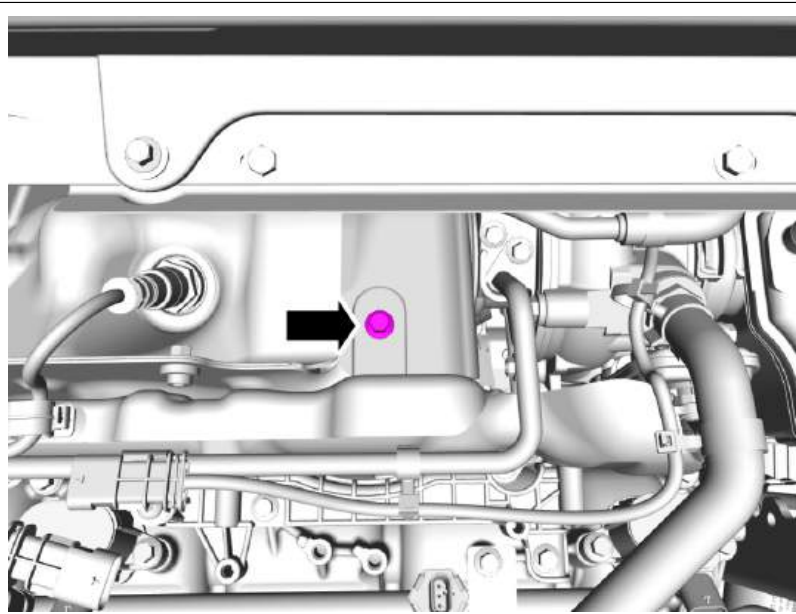
Install the Special tool.
Pull the component in direction of the arrow.



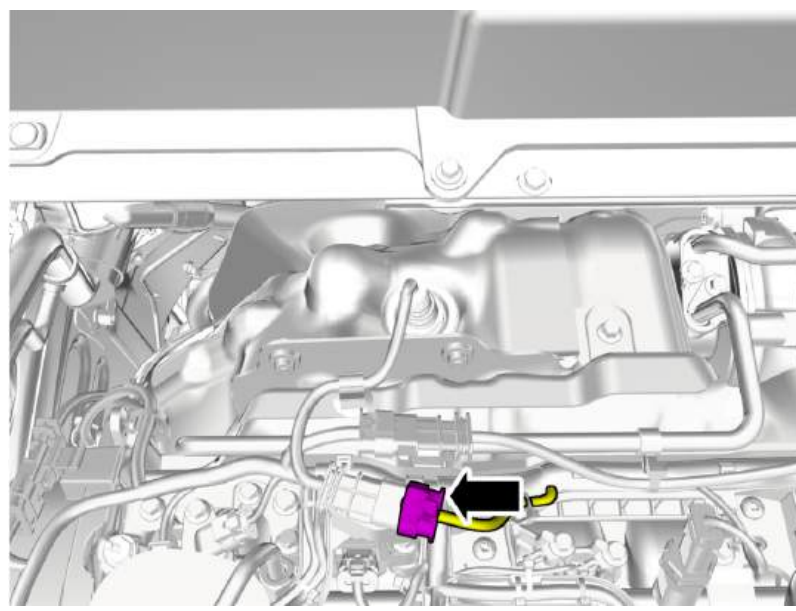
Disconnect the connectors.
Remove the cable harness clips.



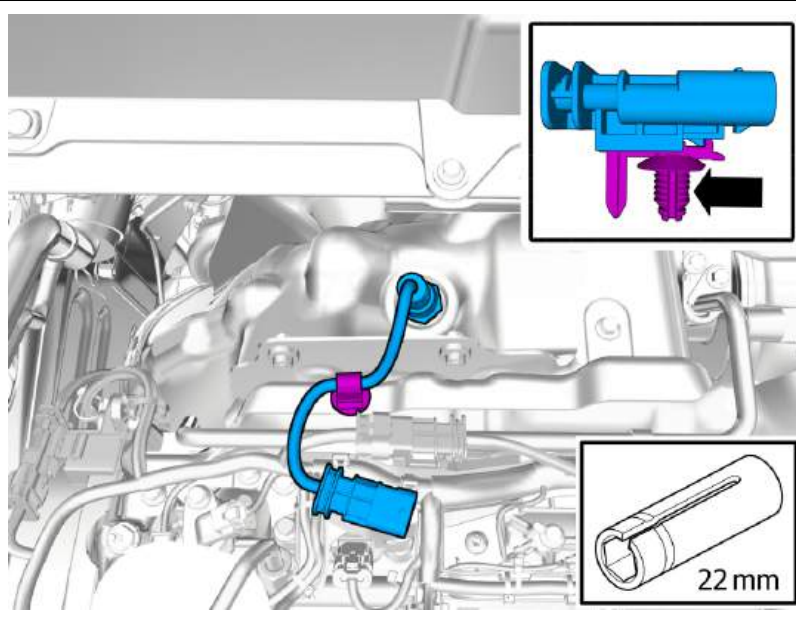
Remove the screws.
Remove the marked part.



Remove the screw.



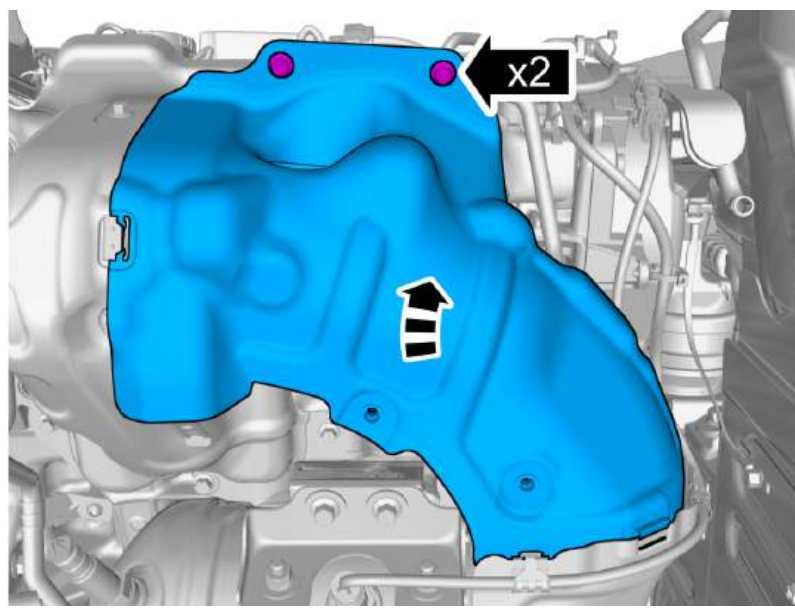
Disconnect the connector.



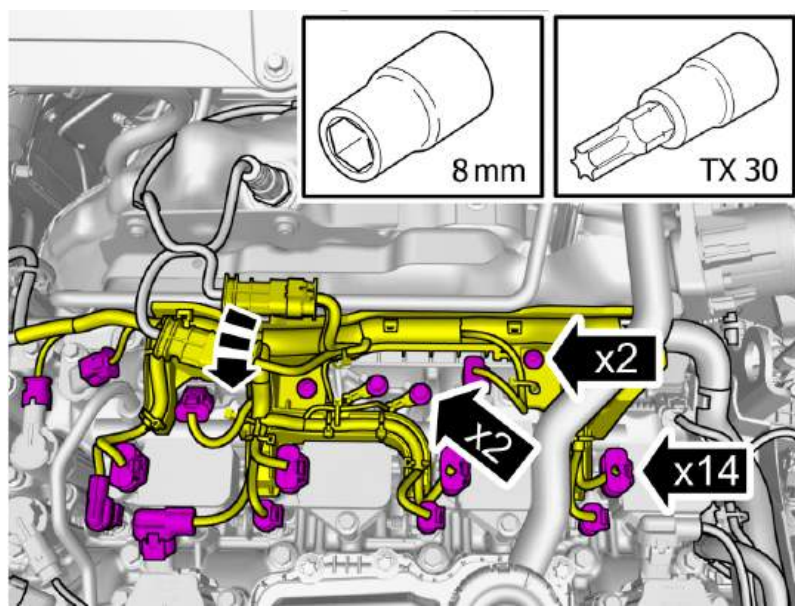
Loosen the clips.
Remove the marked part.

Torque:

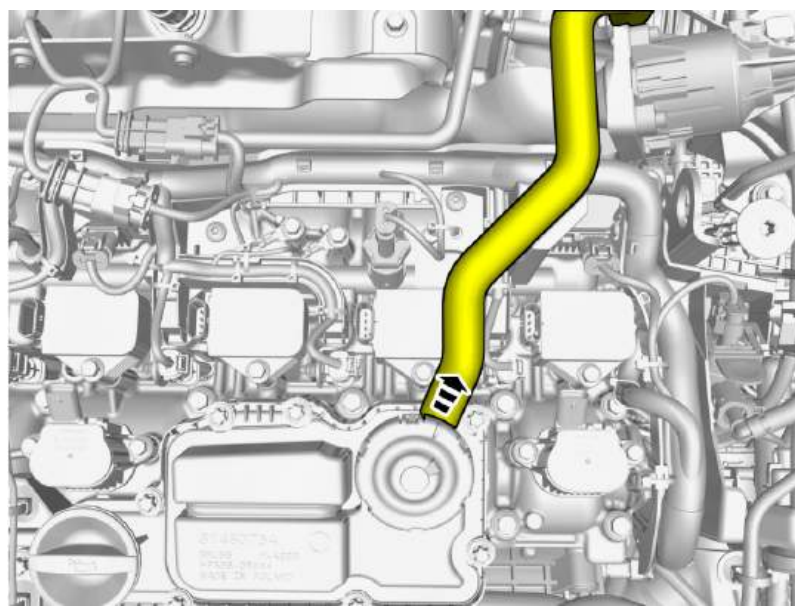
Lambda probe, tightening , 45 Nm



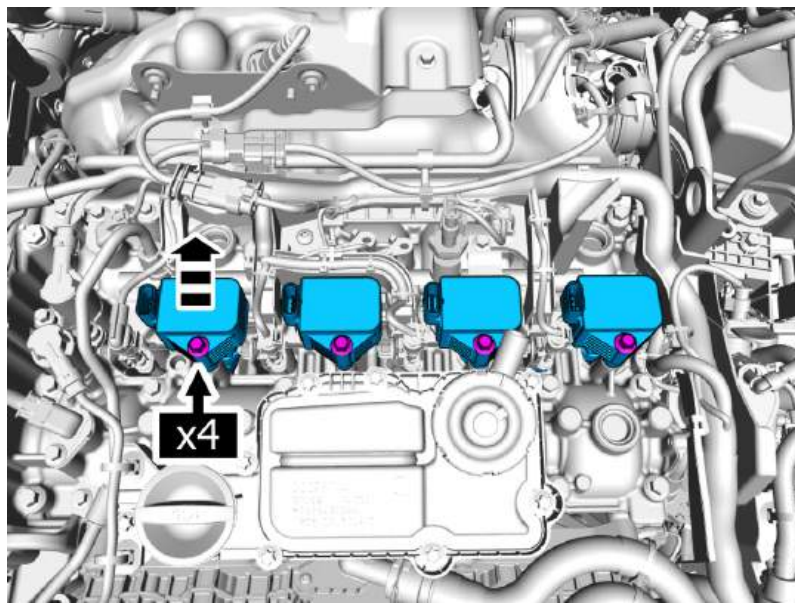
Remove the screws.
Remove the marked part.



Remove the screws.
Disconnect the connectors.
Fold marked part aside.



Undo the hose from the connection.
Fold marked part aside.

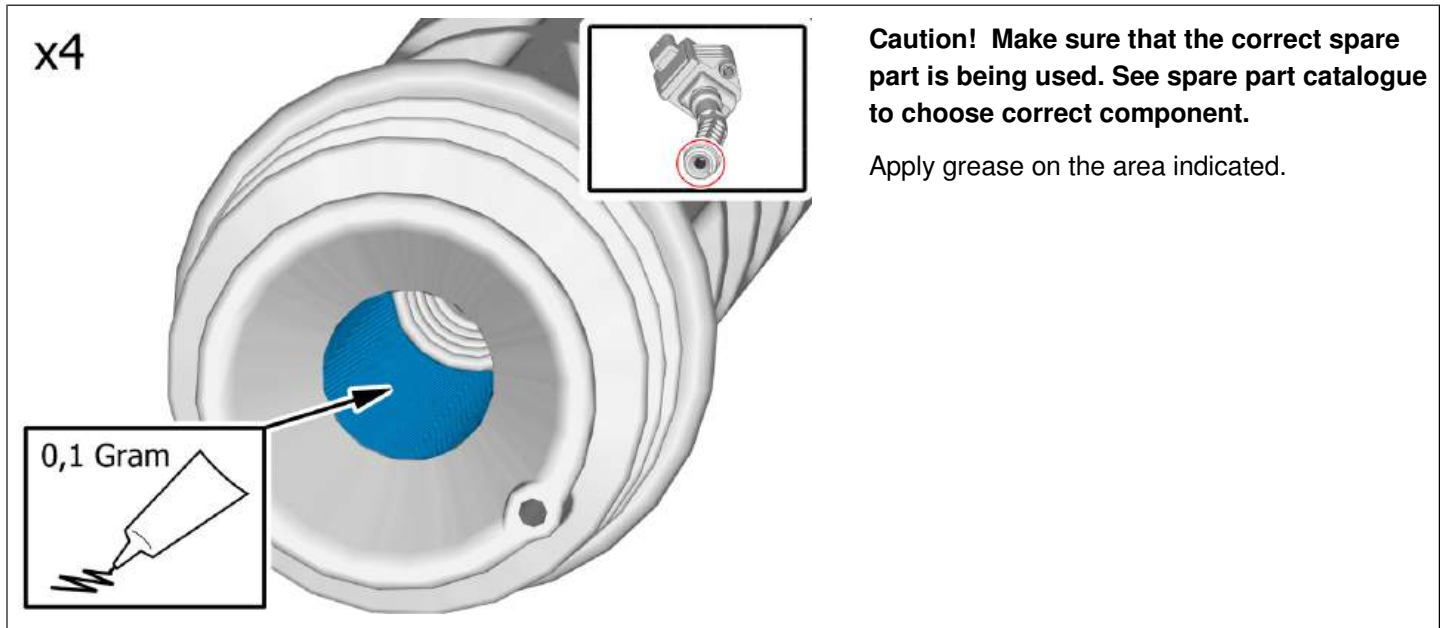


Remove the screws.
Remove the marked parts.

Torque:

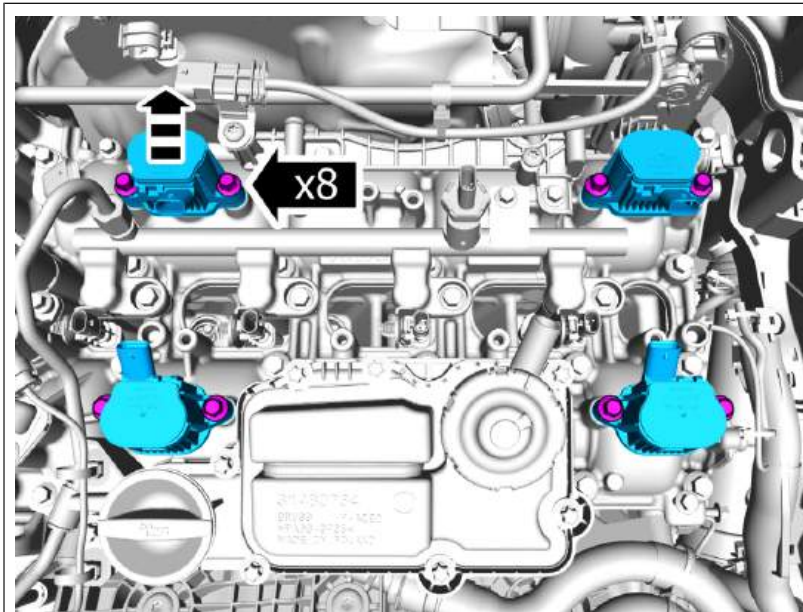
M6 , 10 Nm

Extra information



Continue the removal following the steps below.

Vehicles early version



Caution! The component must be removed by hand. Tools may not be used.

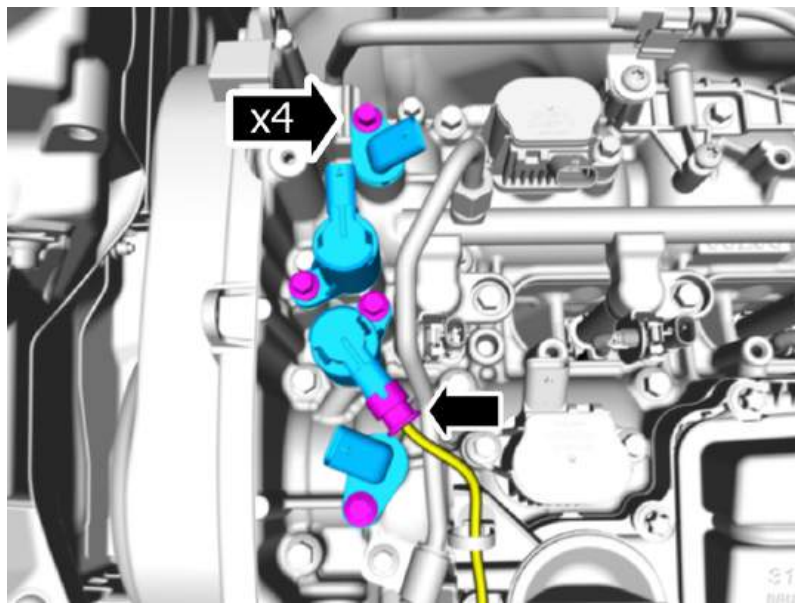
Note! Use new seals.

Remove the screws.
Remove the marked parts.

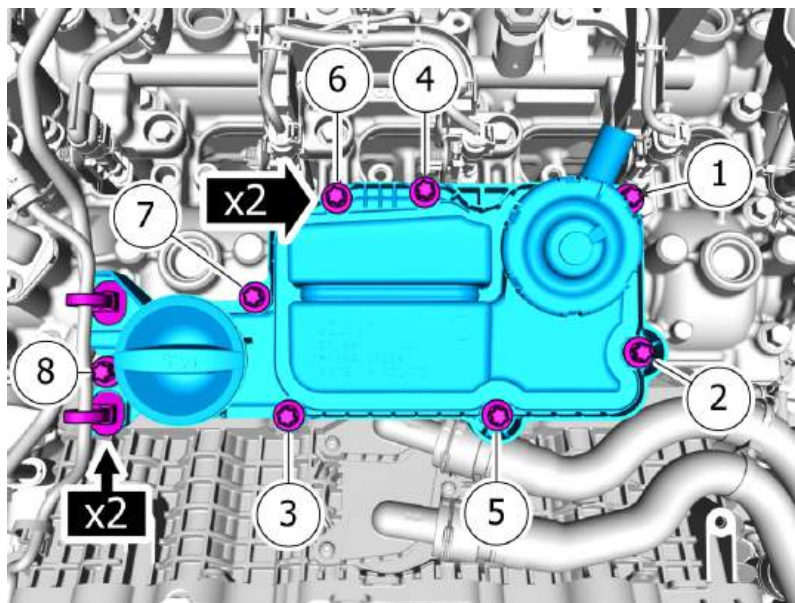
Torque:

M6 , 10 Nm

All vehicles

**Note! Use new seals.**

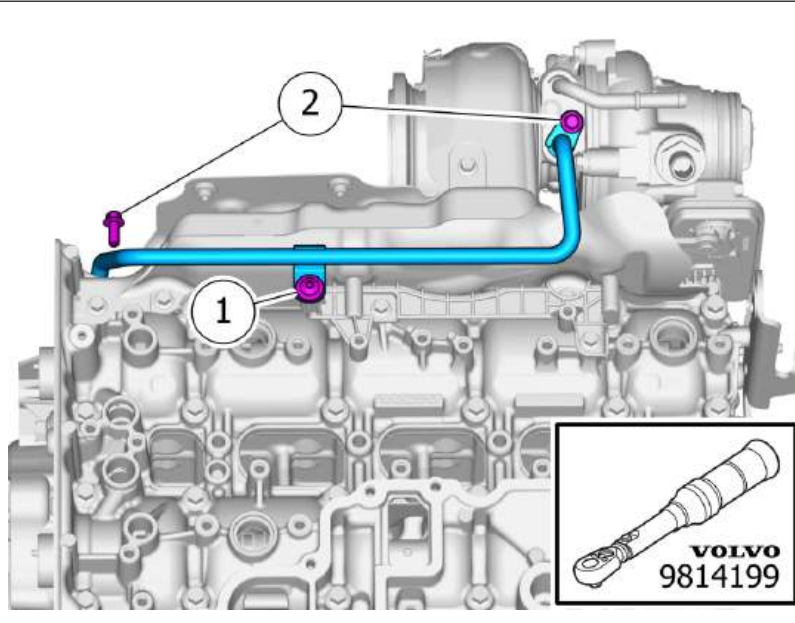
Disconnect the connector.
 Remove the screws.
 Remove the marked parts.

**Note! Make sure to follow the correct sequence during installation.****Note! Use a new seal.**

Remove the clips.
 Remove the screws.
 Remove the marked part.

Torque:

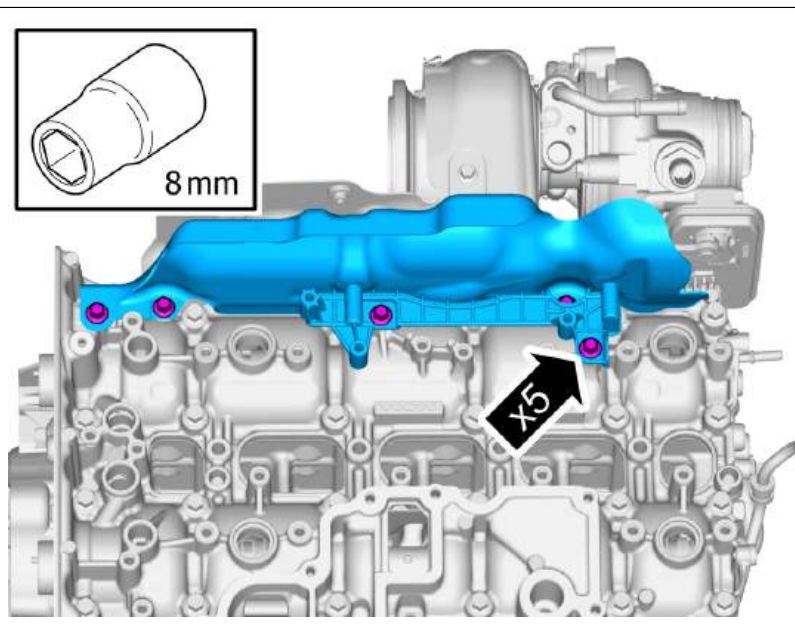
M6 , 10 Nm



Note! Use new seals.

Remove the screws.
Remove the marked part.

- 1 · **Torque:**
M5 , 5 Nm
- 2 · **Torque:**
M6 , 10 Nm

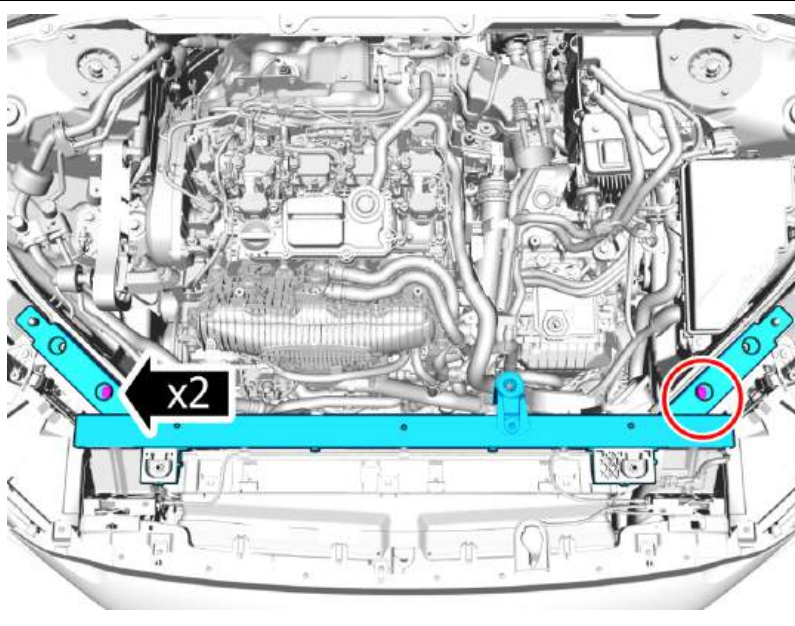


Remove the screws.
Remove the marked part.

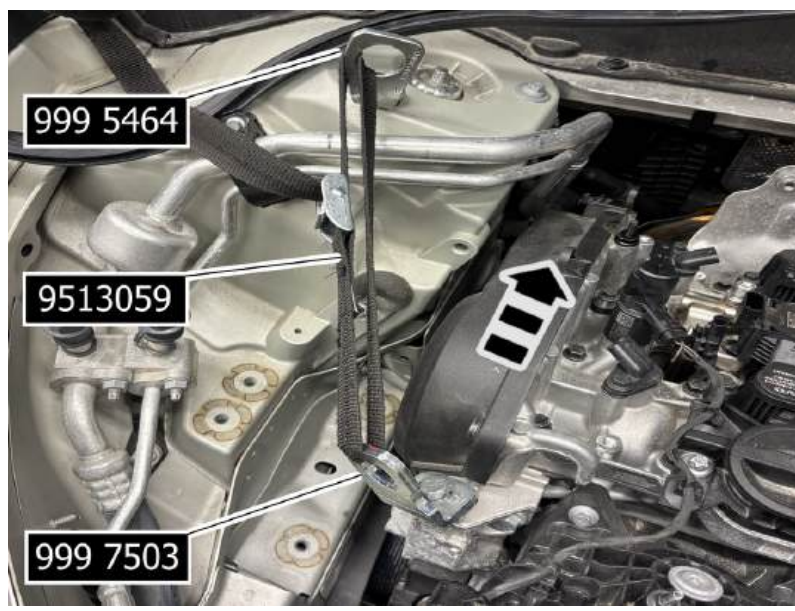
Torque:
M6 , 10 Nm



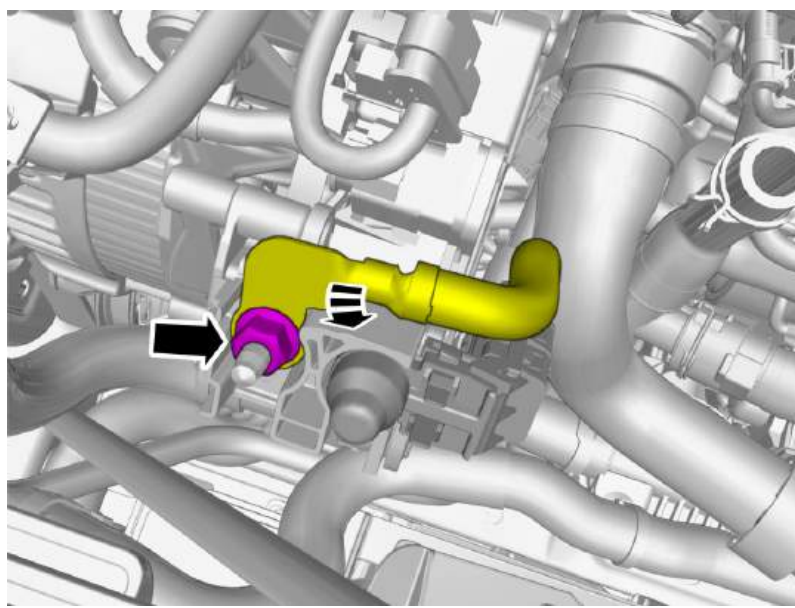
Remove the Special Tool.



Remove the screws.
Remove the marked part.



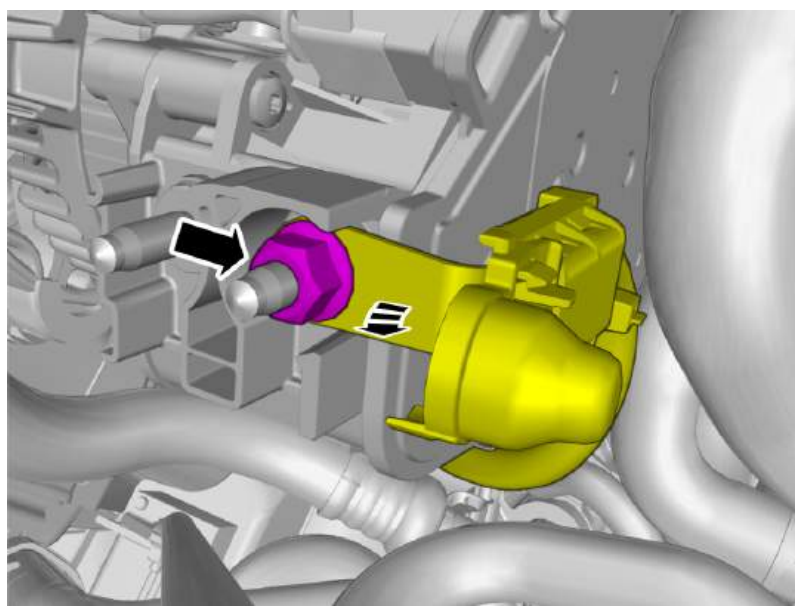
Install the Special tool.
Pull the component in direction of the arrow.



Remove the nut.

Torque:

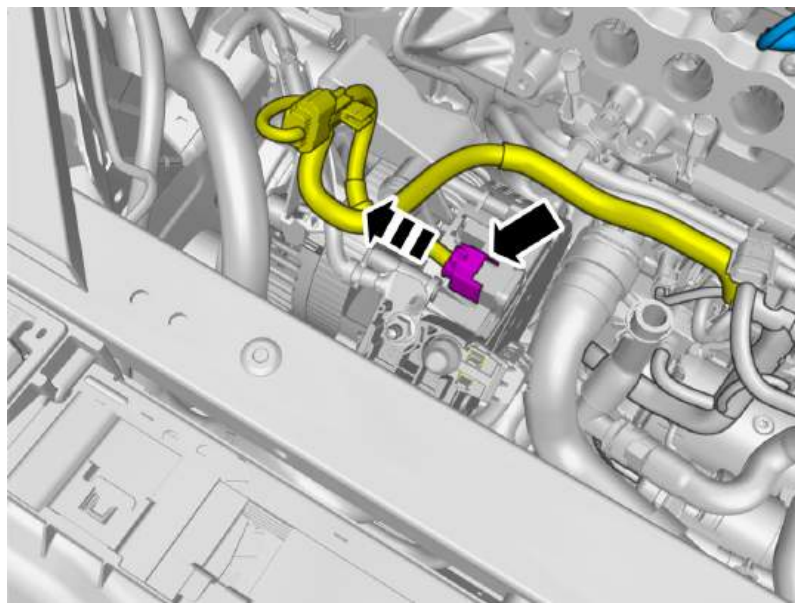
M8 , 24 Nm



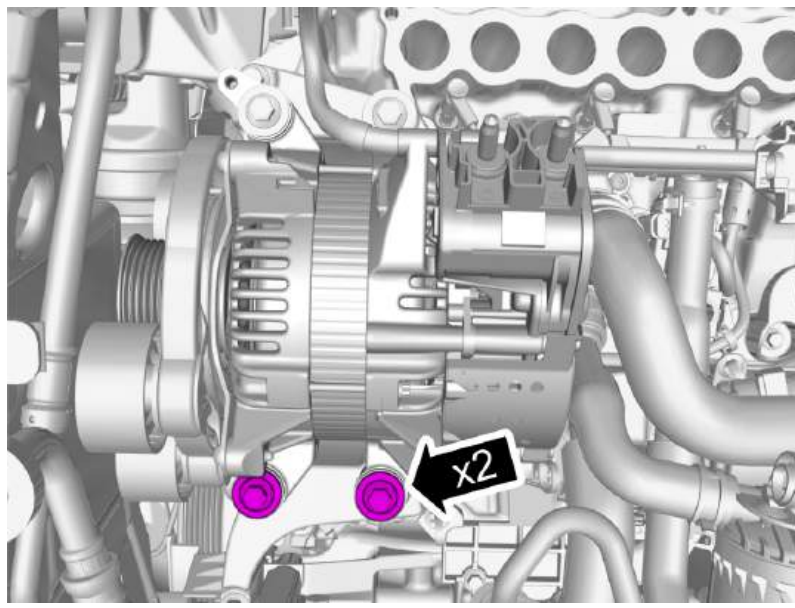
Remove the nut.

Torque:

M8 , 24 Nm



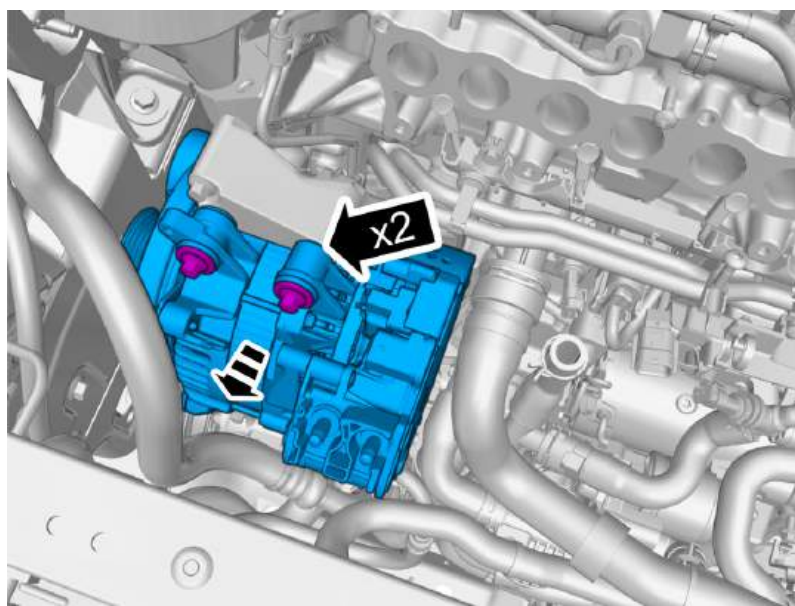
Disconnect the connector.



Remove the screws.

Torque:

M8 , 24 Nm



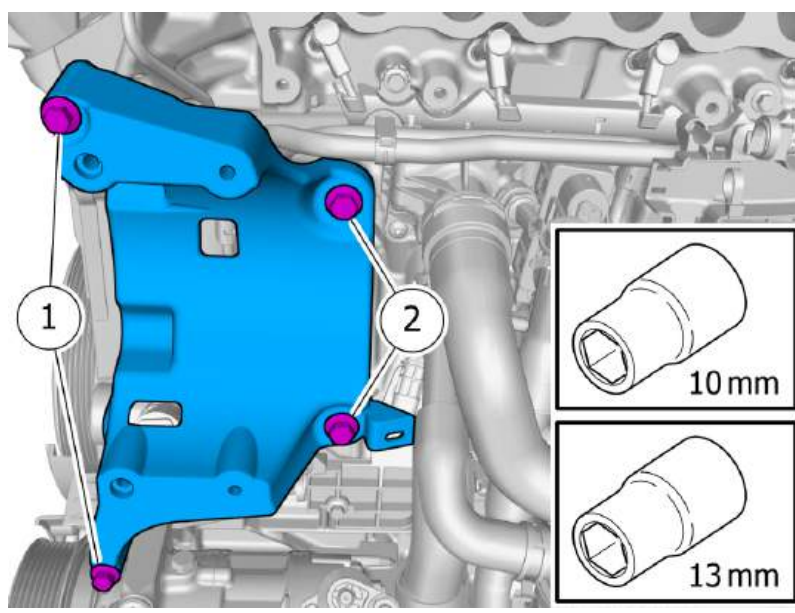
Remove the screws.

Remove the marked part.

Hint: It may be necessary to twist or turn the component.

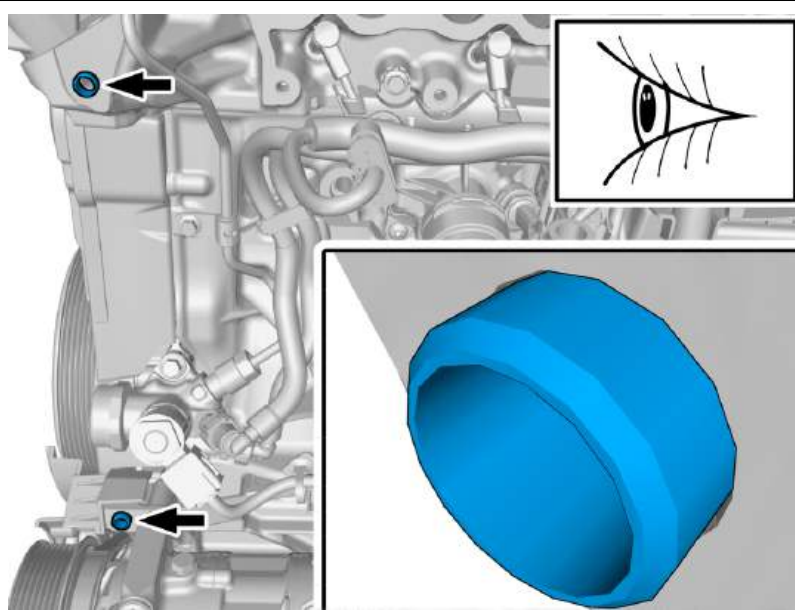
Torque:

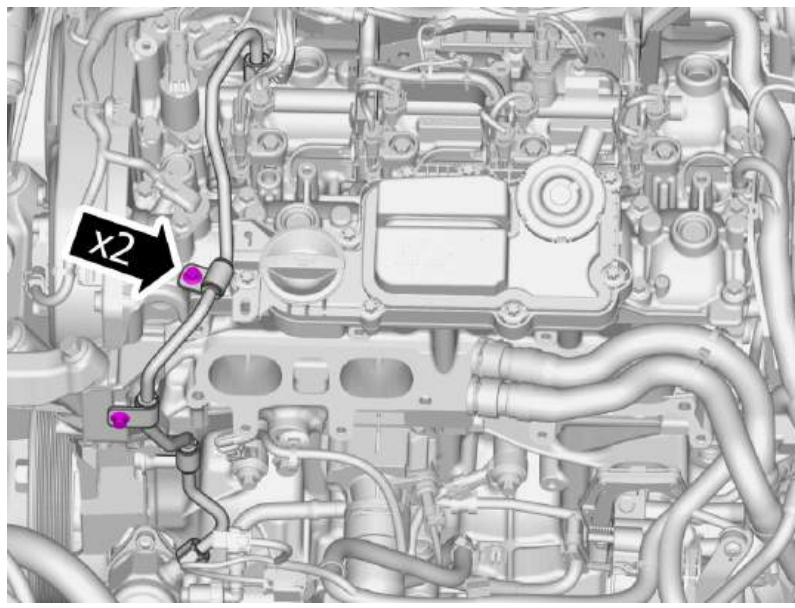
M8 , 24 Nm



Remove the screws.
Remove the marked part.

- 1 · **Torque:**
M8 , 24 Nm
- 2 · **Torque:**
M10 , 50 Nm

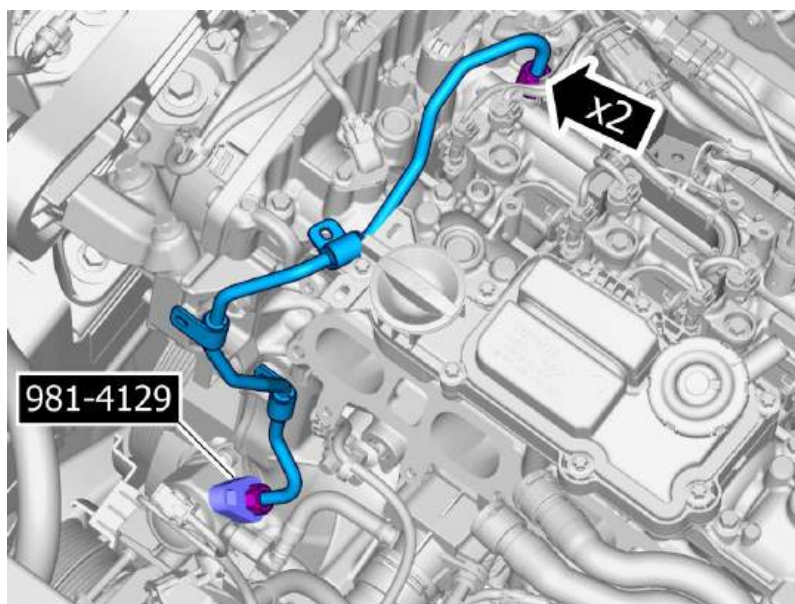




Remove the screws.

Torque:

M6 , 10 Nm



Warning! Be prepared to collect escaping fluid.

Caution! Make sure that the area around the component is clean and free of foreign material.

Note! Make sure that a new component is installed.

Remove the nuts.

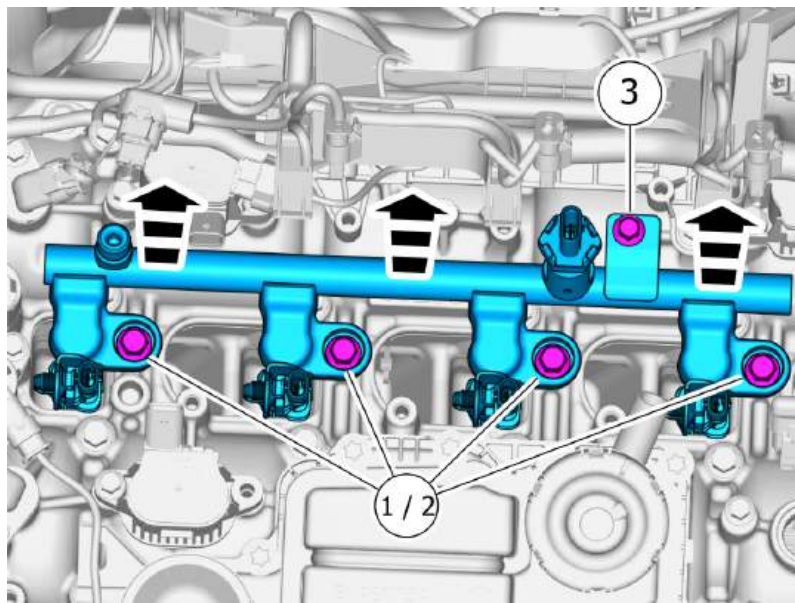
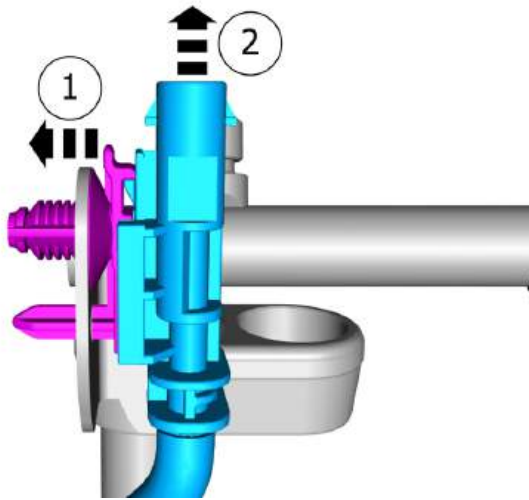
Remove the marked part.

Special Tool: T9814129, Hook wrench

Torque:

- Stage 1 : High-Pressure Fuel Line to Fuel Pump , 18 Nm
- Stage 2 : High-Pressure Fuel Line to Fuel Pump , 30 Nm

Release the locks.



Caution! Make sure that the area around the component is clean and free of foreign material.

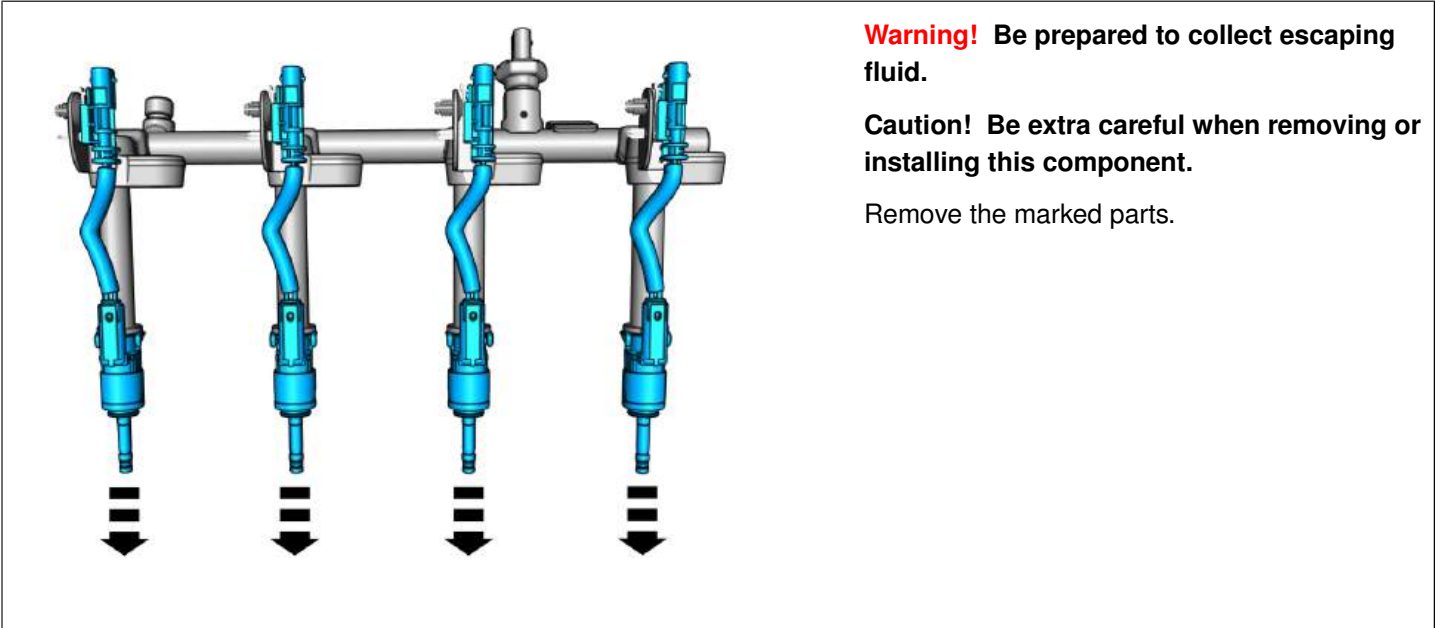
Caution! In order to avoid damage to the injectors, the part must be carefully pulled straight up.

Caution! Be extra careful when removing or installing this component.

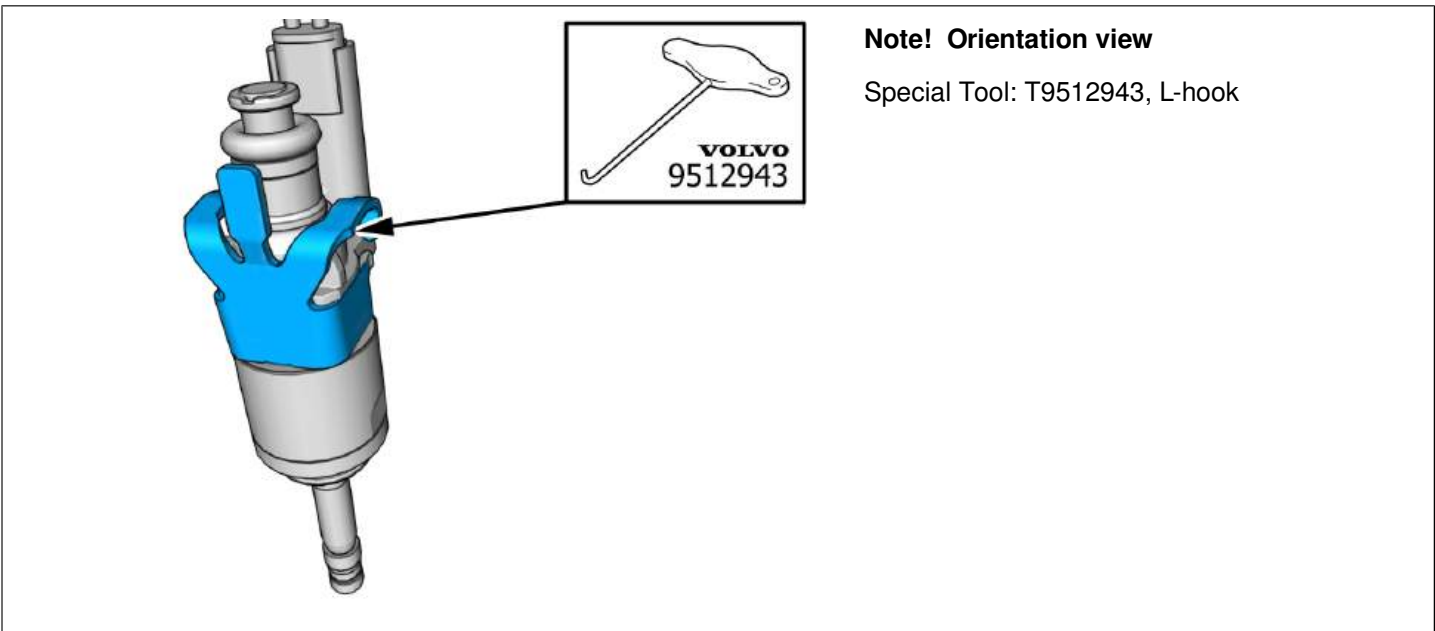
Remove the screws.

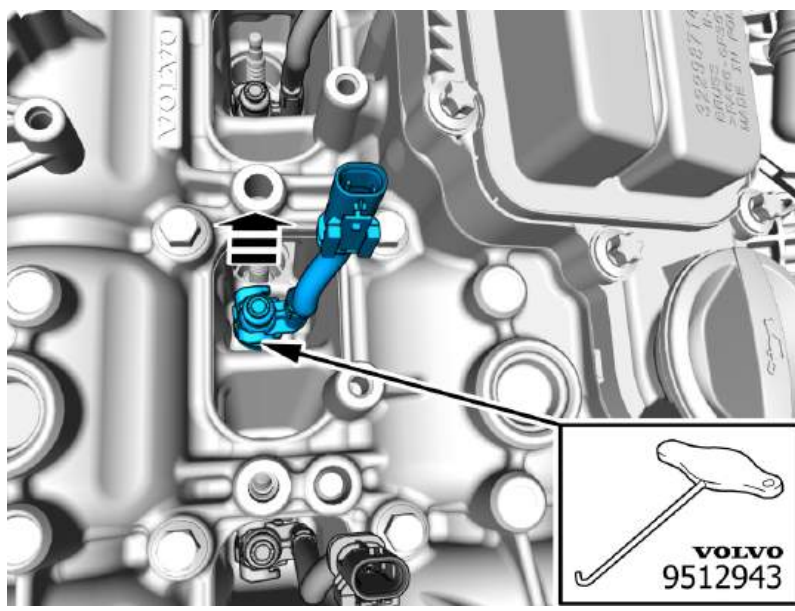
Remove the part carefully

- 1 · **Torque:**
Fuel rail M7 , 22 Nm
- 2 · **Torque:**
Fuel rail M8 , 30 Nm
- 3 · **Torque:**
M6 , 10 Nm



When necessary, perform the following instruction.





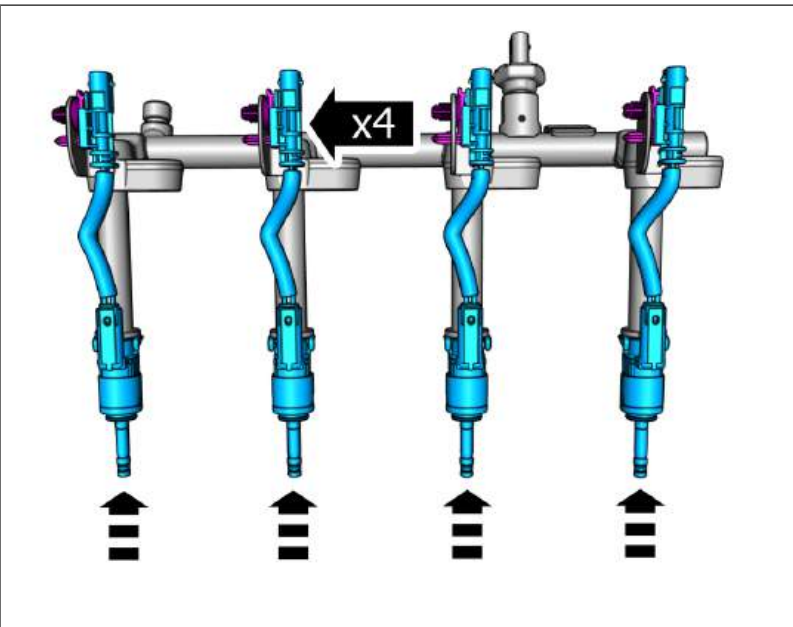
Caution! In order to avoid damage to the injectors, the part must be carefully pulled straight up.

Caution! Be extra careful when removing or installing this component.

Remove the marked part.

Special Tool: T9512943, L-hook

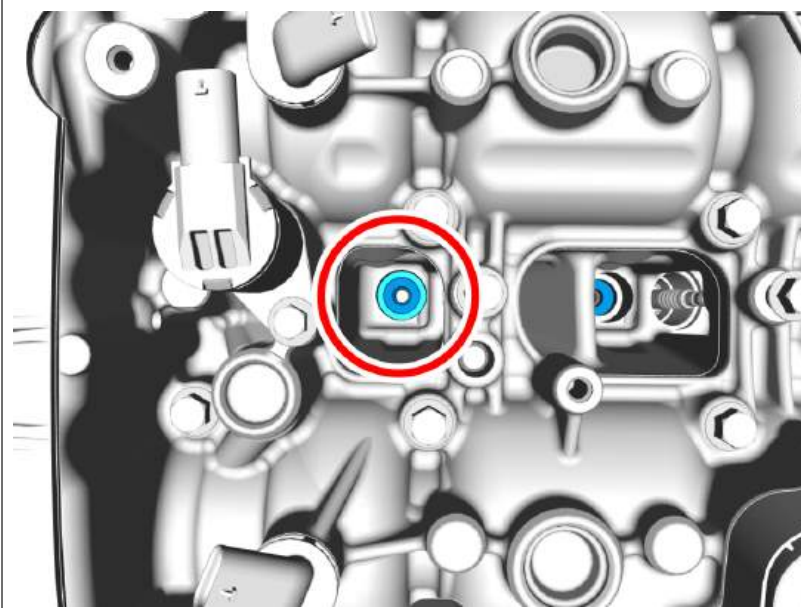
Replace injector seal , refer to:
 Removal, replacement and installation
 2 - Engine with mountings and equipment
 23 - Fuel system
 237 - injector and delivery pipe



Caution! Be extra careful when removing or installing this component.

Install the marked components.

Extra information



Caution! Make sure that the mating faces are clean and free of foreign material.

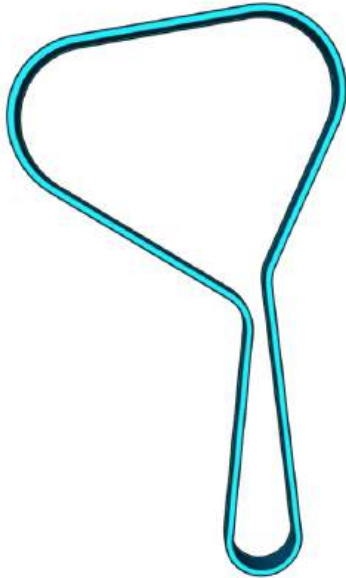
Caution! Clean carefully, using compressed air.

Special Tool: T9997505, Cleaning tool



Remove the Special Tool.

Applies to reassembly of the same component



Note! The component can be reused unless it has been subjected to abnormal mechanical stress, damage or oil contamination.



Caution! The part is to be reused.

Caution! The part is to be reused.



Continue the removal following the steps below.

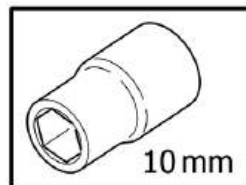
Remove camshaft seal , refer to:

Removal, replacement and installation

2 - Engine with mountings and equipment

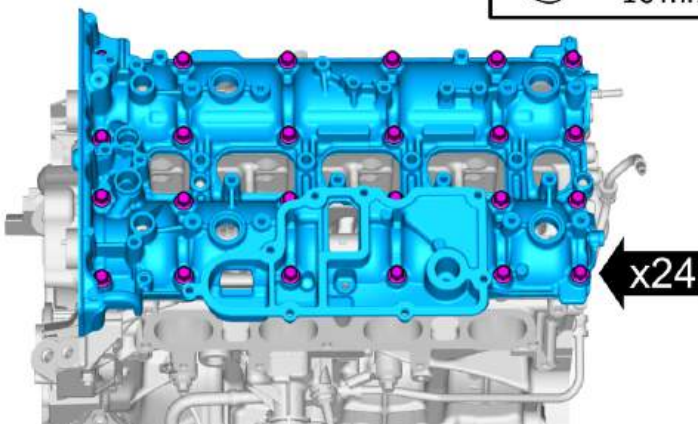
21 - Engine

215 - transmission

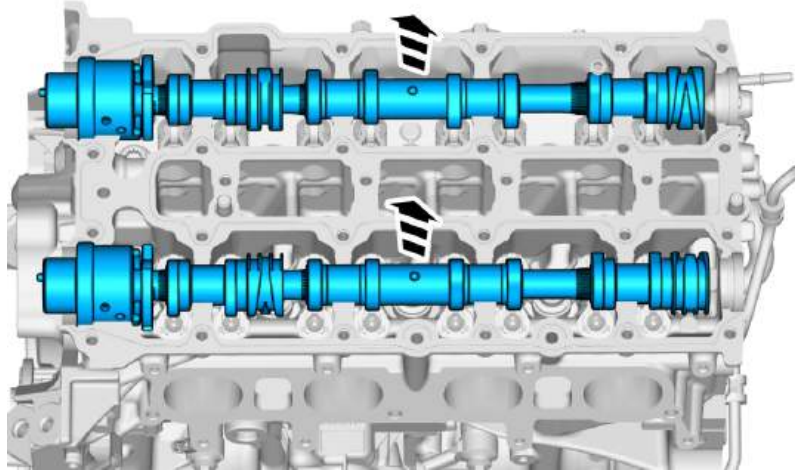


Loosen each bolt 2 turns at a time until all bolts are removed.

Remove the marked part.



Vehicles early version

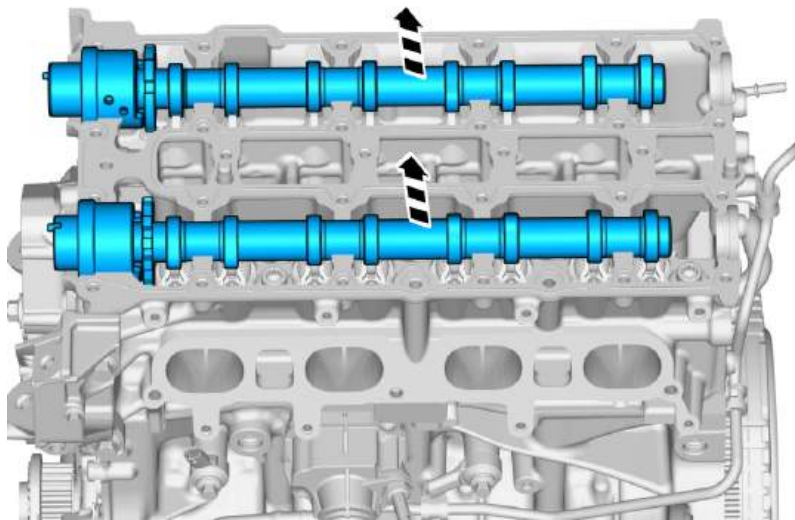


Caution! Note the location of the component before removal.

Caution! Take extra care when handling the components.

Remove the marked parts.

Vehicles late version

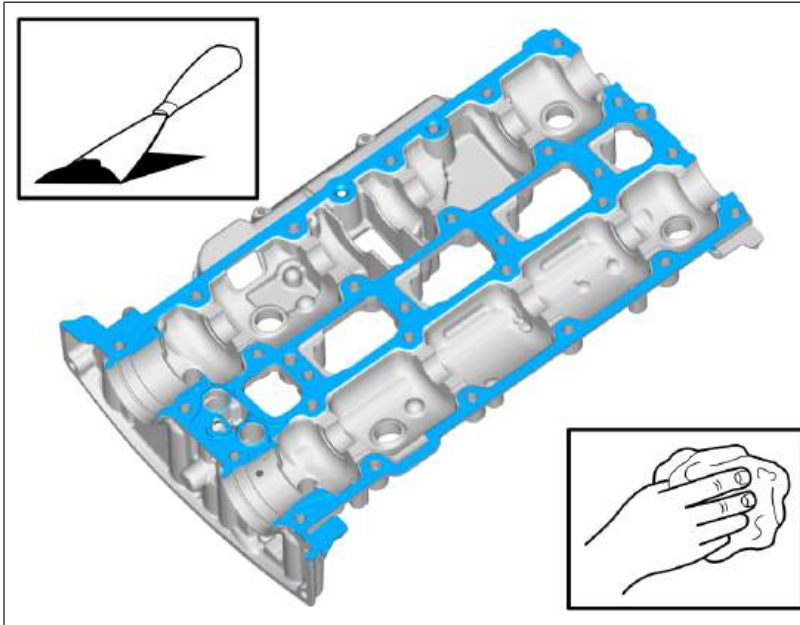


Caution! Note the location of the component before removal.

Caution! Take extra care when handling the component.

Remove the marked parts.

Cleaning



Caution! Take extra care not to damage the mating faces.

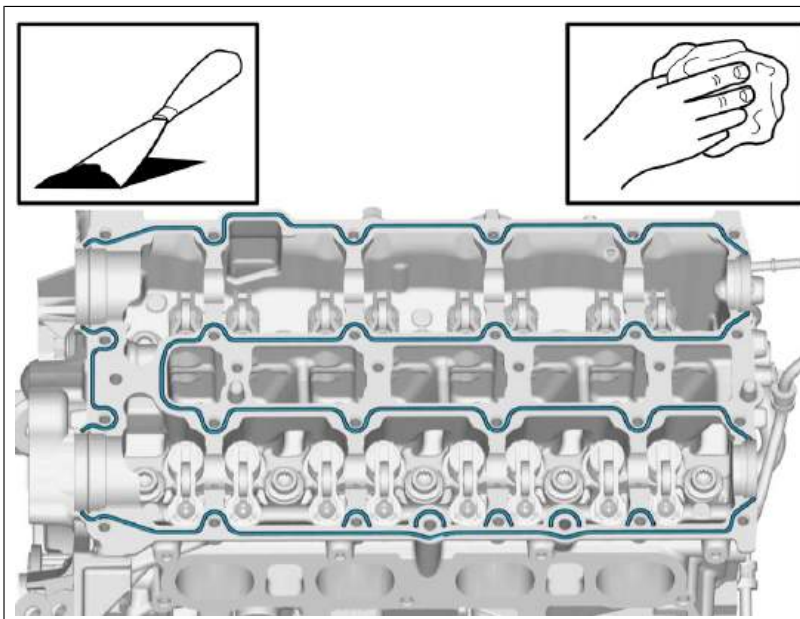
Caution! Make sure that the oil galleries are clean and free of foreign material.

Note! Make sure that the mating faces are clean and free of foreign material.

Use: Putty knife (plastic)

Use: Abrasive cloth

Use: Isopropanol ,



Caution! Take extra care not to damage the mating faces.

Caution! Make sure that the oil galleries are clean and free of foreign material.

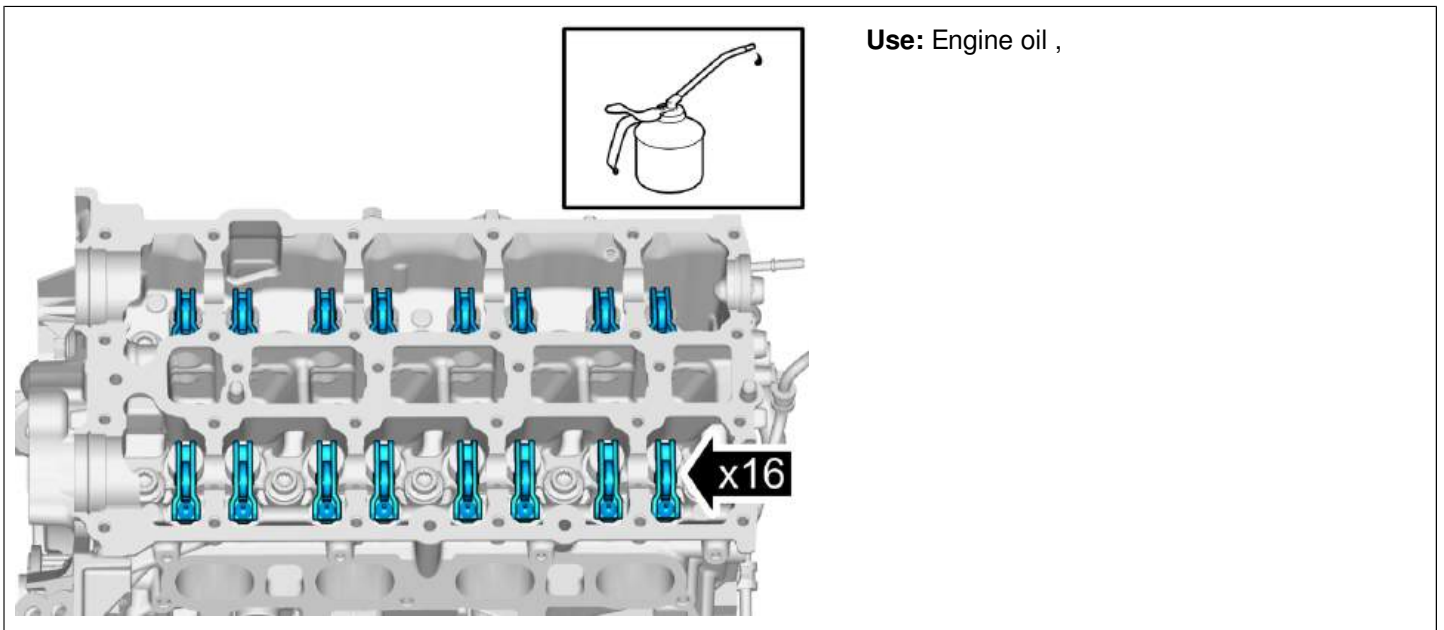
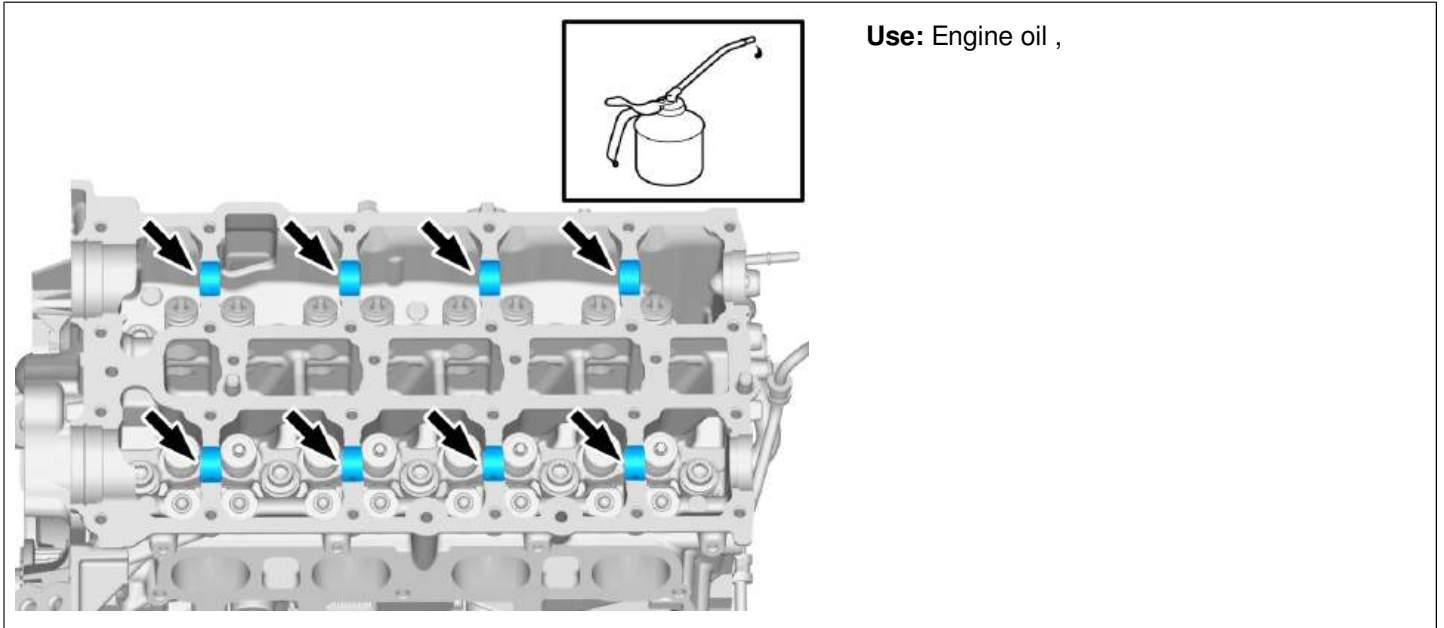
Note! Make sure that the mating faces are clean and free of foreign material.

Use: Putty knife (plastic)

Use: Abrasive cloth

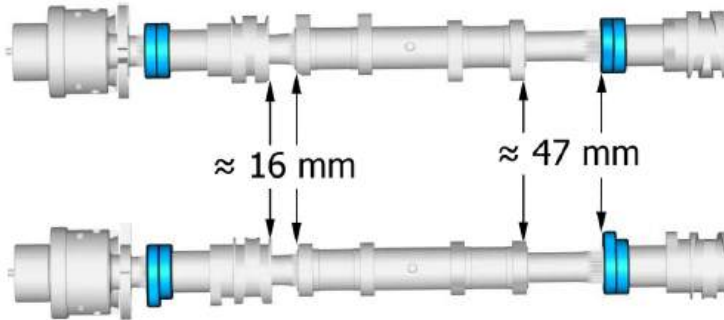
Use: Isopropanol ,

Installation



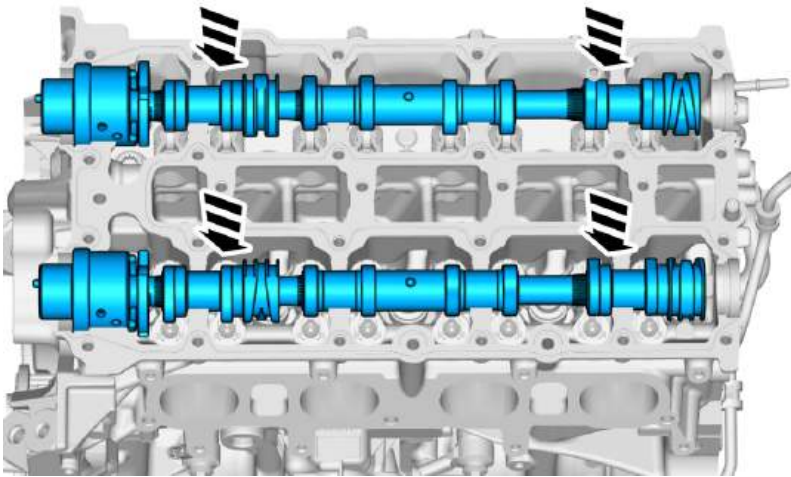
Vehicles early version

Caution! Make sure that the components are positioned correctly.

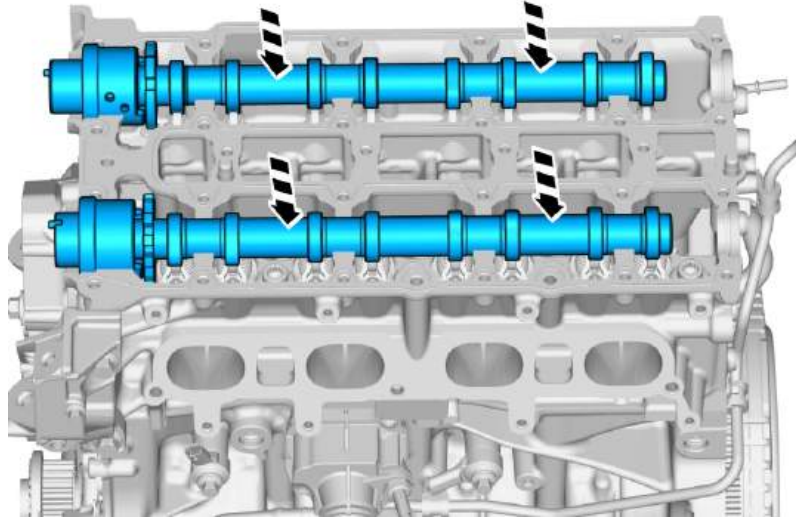


Caution! Make sure that the components are positioned correctly.

Install the marked components.



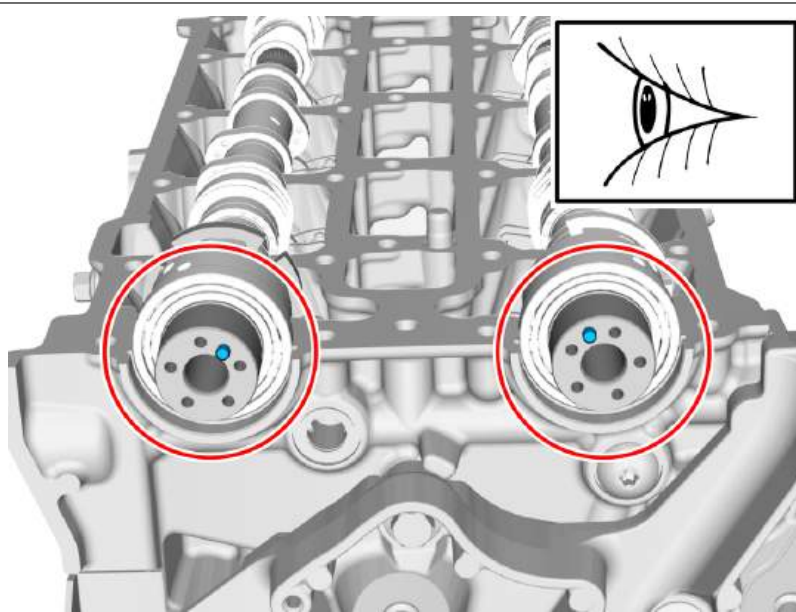
Vehicles late version



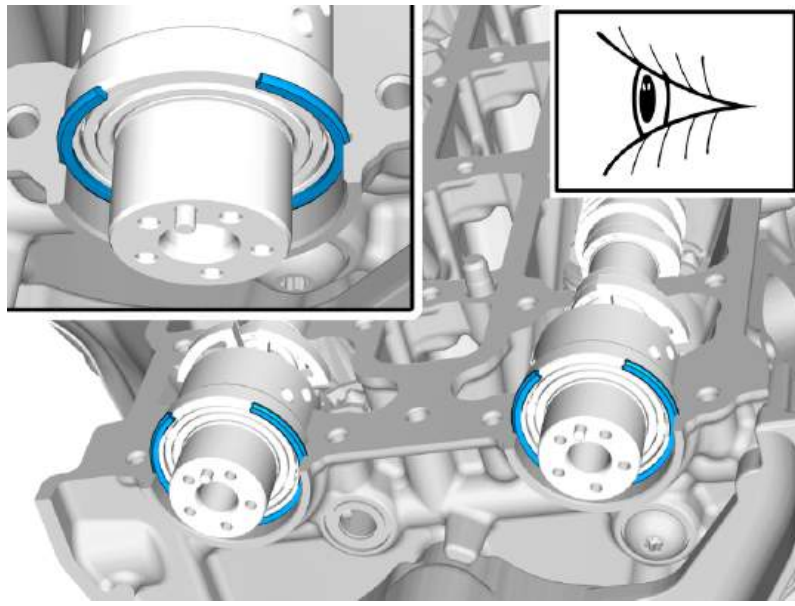
Caution! Make sure that the components are positioned correctly.

Install the marked components.

All vehicles

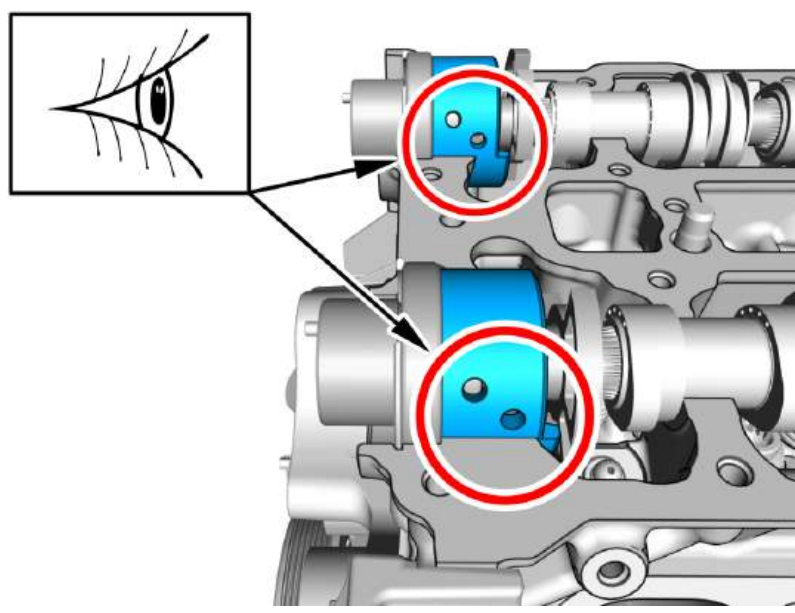


Caution! Make sure that the components are positioned correctly.



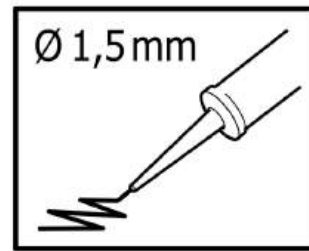
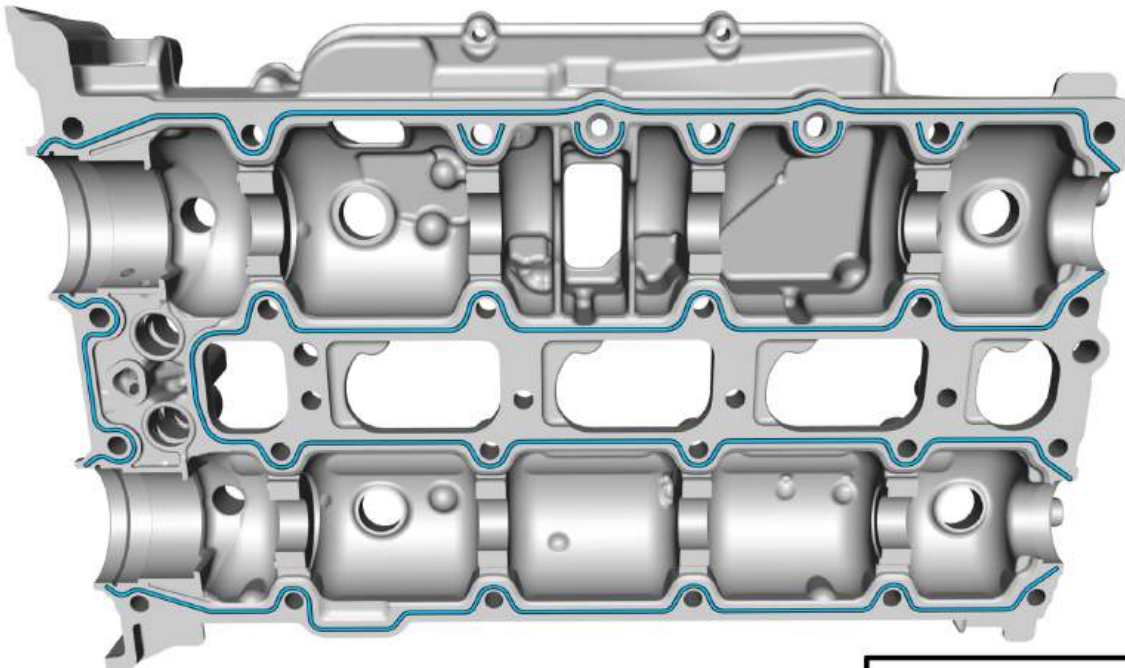
Caution! Make sure that the components are positioned correctly.

Install the marked components.



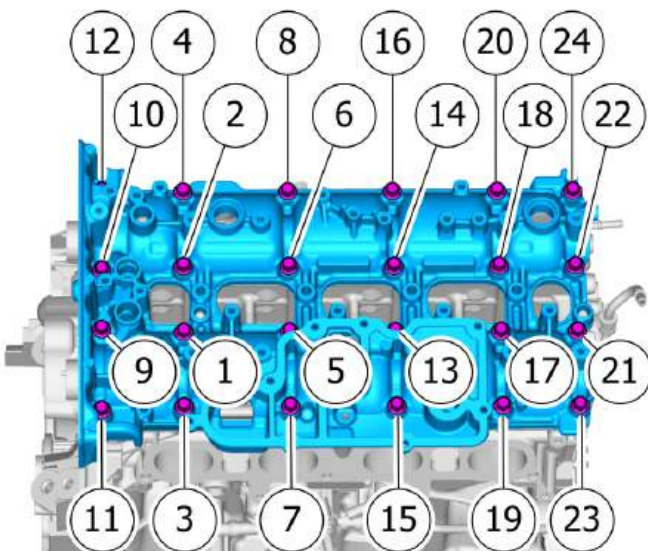
Caution! Make sure that the components are positioned correctly.

All vehicles



Note! The component must be installed within 5 minutes of applying the sealant.

Use: Chemical gasket , 1161771



Caution! Make sure that equal pressure is applied to the full length of the component.

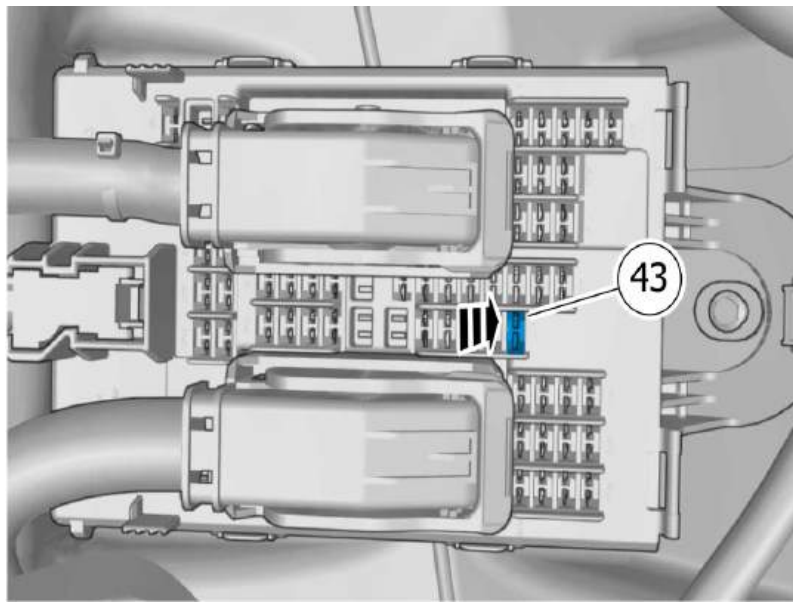
Note! Make sure to follow the sequence indicated.

Install the marked component.
Install the screws.
Tighten each bolt 2 turns at a time.

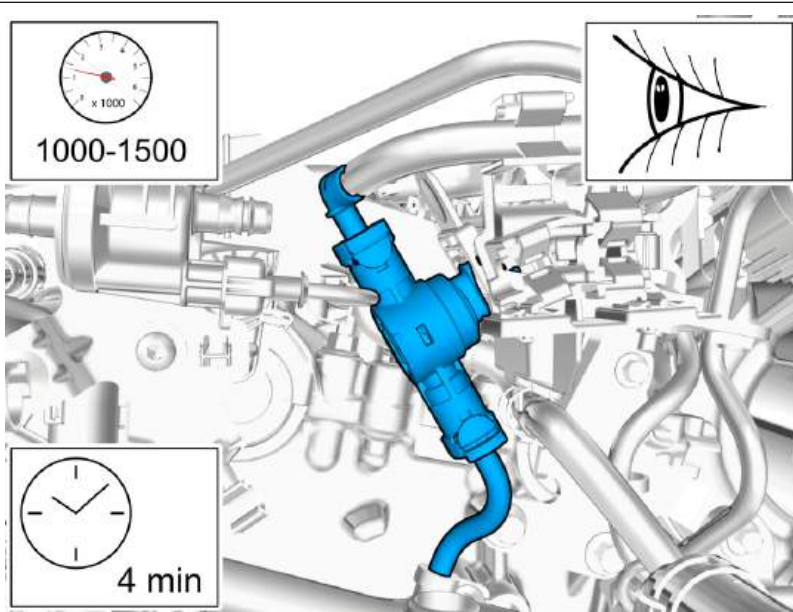
Torque:
M7 , 17 Nm

To install, reverse the removal procedure.

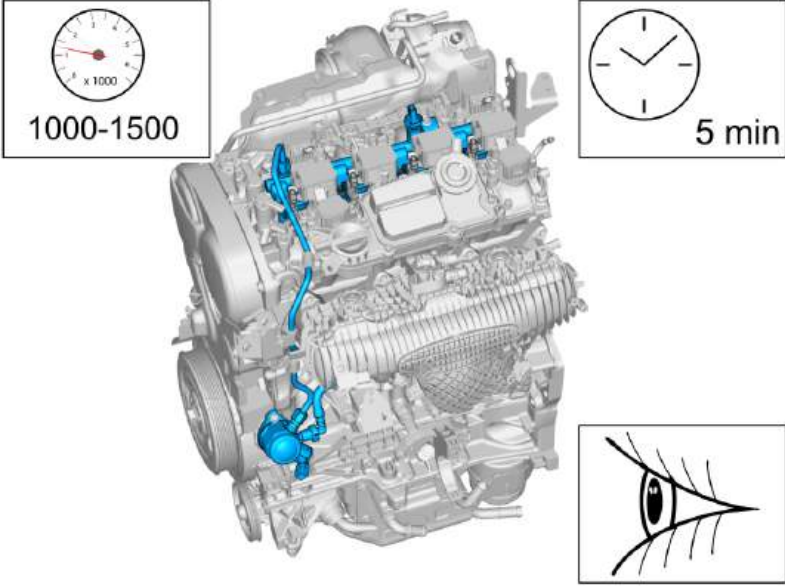
Check



Reinstall the fuse.
Start the engine.

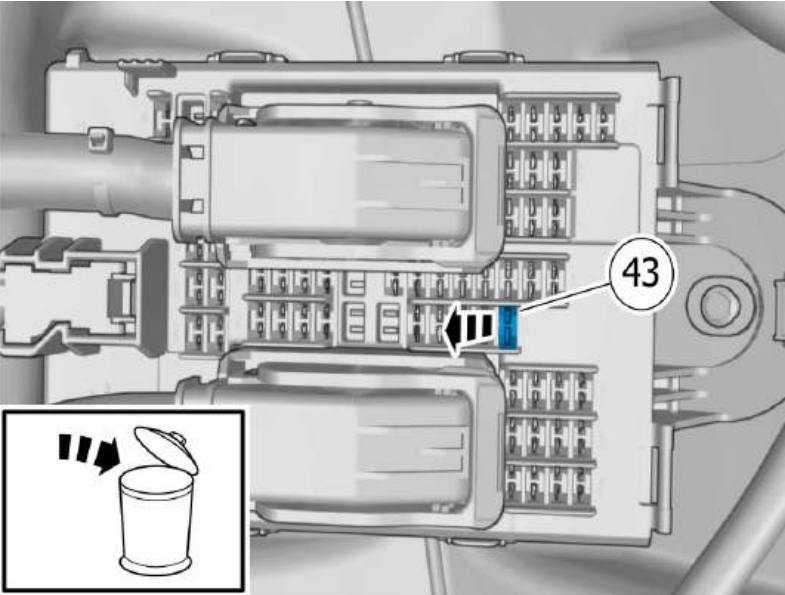


Warning! Make sure that there are no leaks.



Warning! Make sure that there are no leaks.

The diagram shows a 3D cutaway view of an engine with blue hoses. To the left is a tachometer icon with a needle pointing to 1000-1500 RPM (x 1000). To the right is a clock icon labeled '5 min'. Below the engine is an icon of an eye, indicating a safety warning.



Switch off the engine.
Discard of the previously installed fuse and install a new one.

The diagram shows a fuse box with a callout '43' pointing to a specific fuse. An inset icon shows a fuse being discarded into a trash bin.