

V O L V O

Volvo Car USA LLC

Technical Journal

Technical Journal Title AC System Intermittent Knocking Noise		Ref. No. TJ 37345.3.0	
Issuer (Dept.) Technical Service		Issue Date 4/29/25	Status Date 4/30/25
Car Market United States and Canada	Partner 3 US 7510 Volvo Car USA	Function Group 8720	
Function Description Air distribution		Page Page 1 of 11	

Attachment

File Name	File Size
TJI-530765-1_1_3_en-US.pdf	2.7988 MB

Rows beginning with * are modified

Note! If using a printed copy of this Technical Journal, first check for the latest online version.

DESCRIPTION:

* Updated Attachment File Name

If the customer complains about knocking noise from the AC system (this symptom can be heard or felt under the driver's front carpet), please follow advice under service.

CSC Customer Symptom Codes

Code	Description
D5	Climate control system/Unusual noise

DTC Diagnostic Trouble Codes

Vehicle Type

Type	Eng	Eng Desc	Sales	Body	Gear	Steer	Model Year	Plant	Chassis range	Struc Week Range
256							2016-9999		-	201505-999952

SERVICE:

If the symptom is confirmed, proceed with adding a rubber sleeve on isolated low pressure line (also, connect low pressure line and high pressure line with a cable tie) according to the attachment.

Warranty claim info:

To get a warranty claim accepted for a job described in this TJ, use the corresponding VST OP number stated in this TJ.

Note that the TJ number must be stated in the repair order text.

Technical Journal 37345.3.0

VST Operation Number

VST Operation Number	Description
98784-2	A/C System knocking noise acc to TJ

VEHICLE REPORT:

Yes, please submit a Vehicle Report if the service solution described in this TJ has no effect. Use concern area "Vehicle Report" and sub concern area "Support not needed", use function group 8720.

To view TJ attachment continue to next page. This TJ has one attachment.



Volvo Car Customer Service

TJ Instruction VCC-530765-1

Title	The air conditioning (A/C) system	Page	1 (9)
Action	Product fix	Operation number:	98784-2

Issue	Date	Reason
1	2025-03	First issue

Affected vehicles

Model year	Model	Engine	Partner group
2022, 2023, 2024, 2025	XC90 (16-)	B4204T53, T56, T57	America China International

Materials

Materials	Qty.	Part No.	Notes
Spacer sleeve	1.0	31201519	
Strip clamp	1.0	983750	

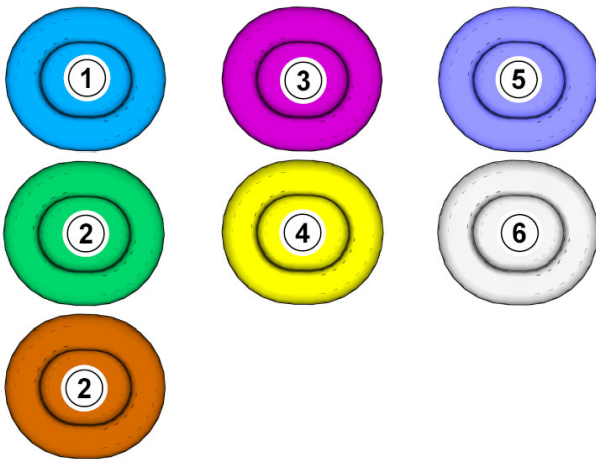
Equipment

Designation	Part No.
Interior trim remover	
Tape measure	
Carpet knife	
Cutting pliers	

Removal

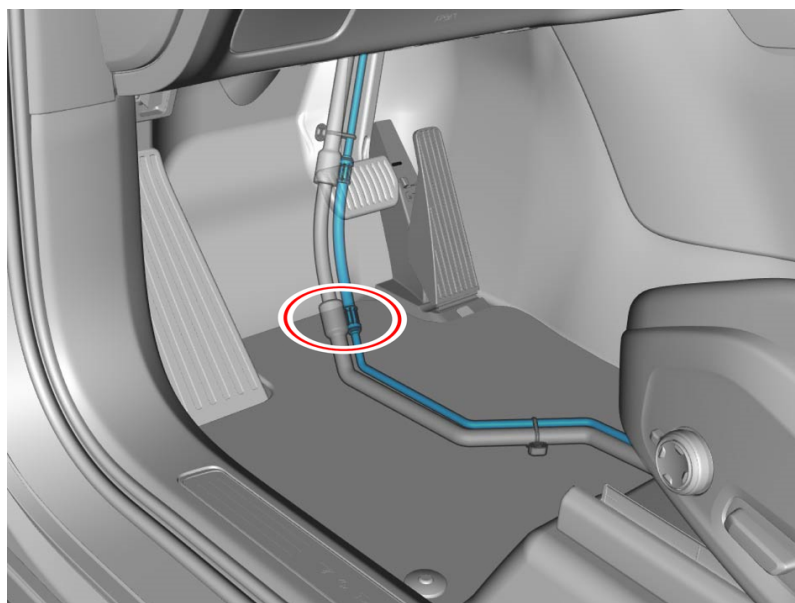
Note! Removal steps in this procedure may contain installation details.

Color symbols



Note! This colour chart displays (in colour print and electronic version) the importance of the different colours used in the images of the method steps.

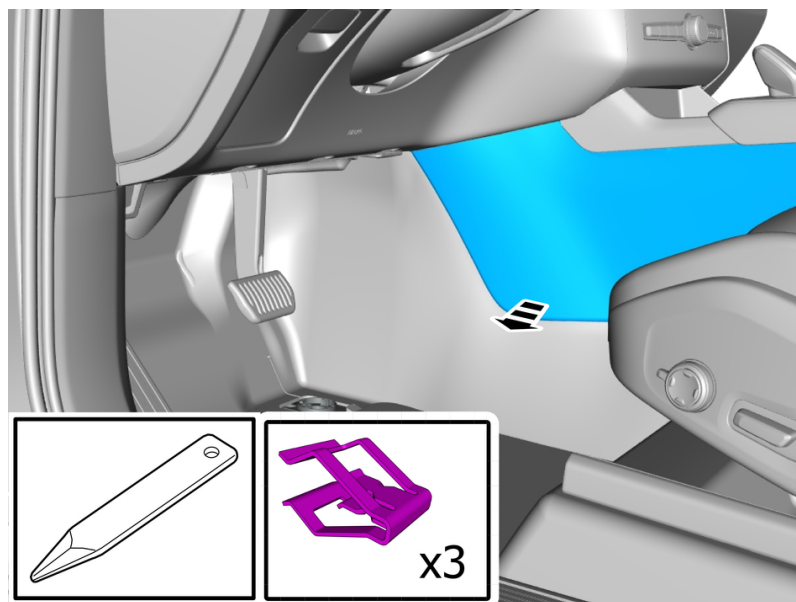
- 1 . Used for focused component, the component with which you will do something.
- 2 . Used as extra colors when you need to show or differentiate additional parts.
- 3 . Used for attachments that are to be removed/installed. May be screws, clips, connectors, etc.
- 4 . Used when the component is not fully removed from the vehicle but only hung to the side.
- 5 . Used for standard tools and special tools.
- 6 . Used as background color for vehicle components.



Note! Orientation view

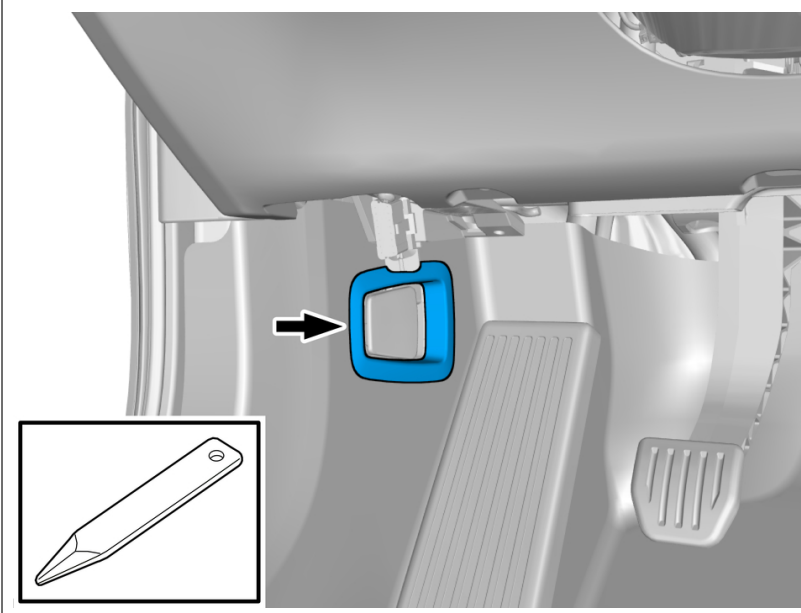
Remove the following components:

- accelerator pedal , refer to:
Removal, replacement and installation
2 - Engine with mountings and equipment
27 - Engine control
271 - gas pedal control
- left side front sill moulding , refer to:
Removal, replacement and installation
8 - Body and interior
85 - Interior
855 - other upholstery



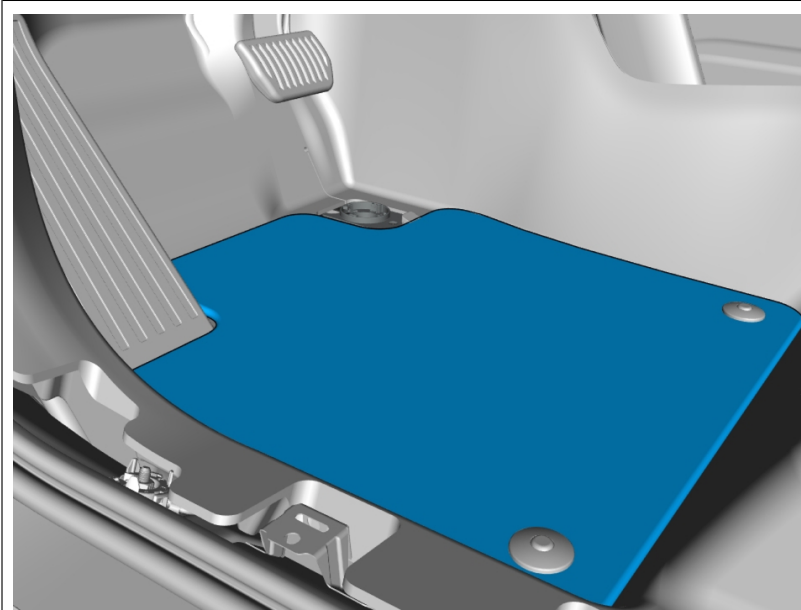
Remove the panel.

Use: Interior trim remover

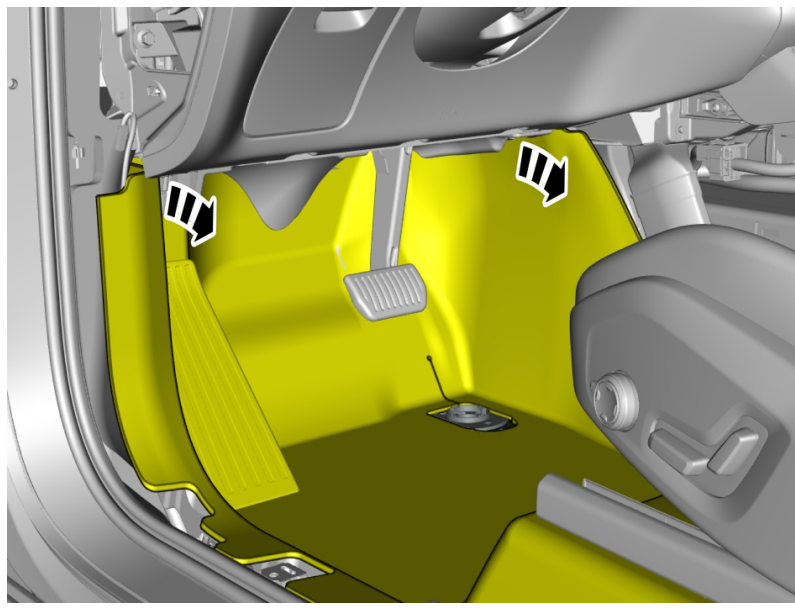


Remove the marked part.

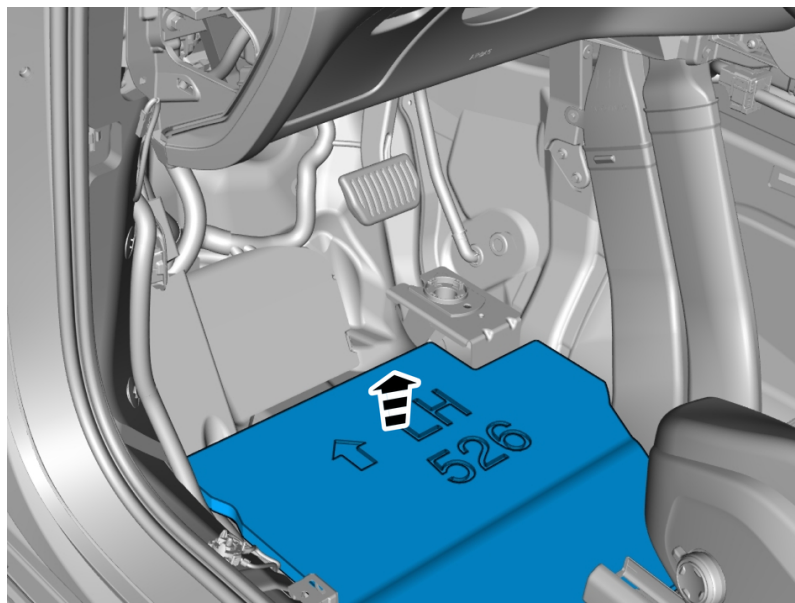
Use: Interior trim remover



Remove the marked part.



Loosen the marked detail.
Fold the carpet aside.

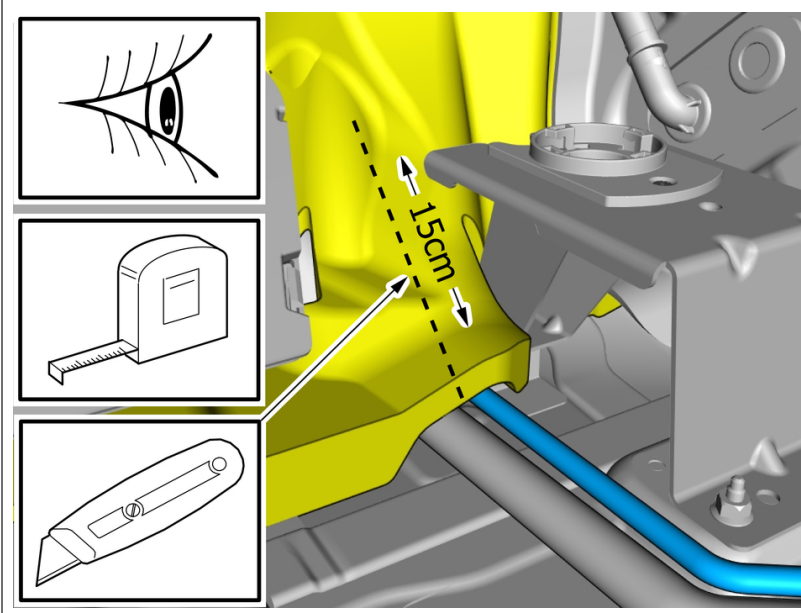


Remove the marked part.

Adjustment

Caution! Cut carefully to avoid unintentional damage or personal injury.

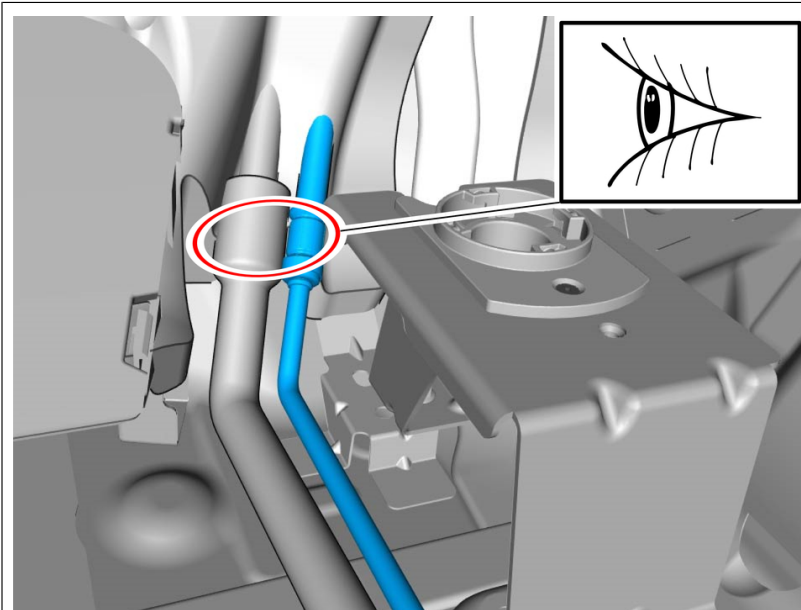
Caution! Make sure not to damage wiring, hoses or other components.



Make a cut in the insulation.
Fold the insulation aside.

Use: Tape measure

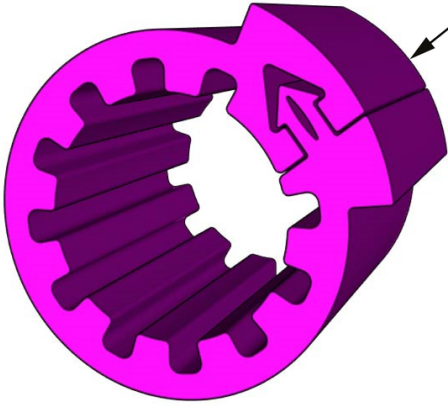
Use: Carpet knife



Note! Orientation view

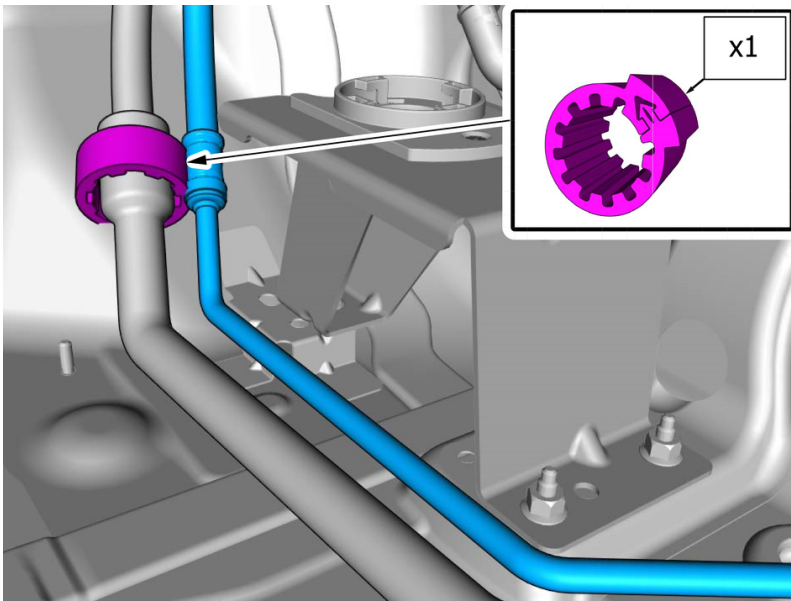
Use: Spacer sleeve , 31201519

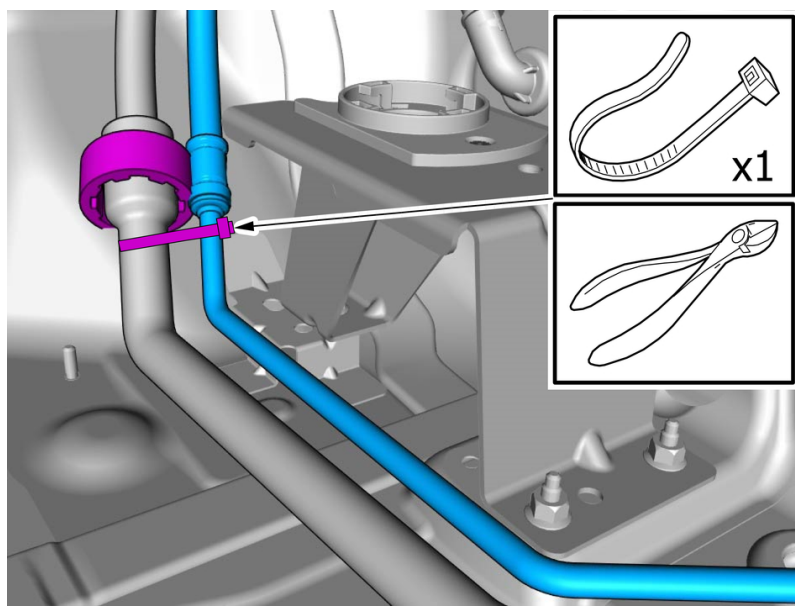
x1



Install the marked component.

x1

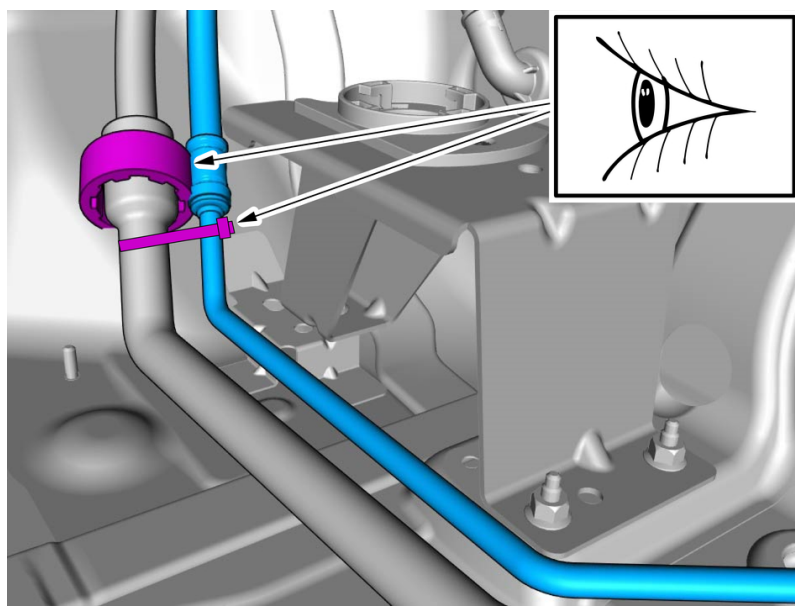




Install the marked component.

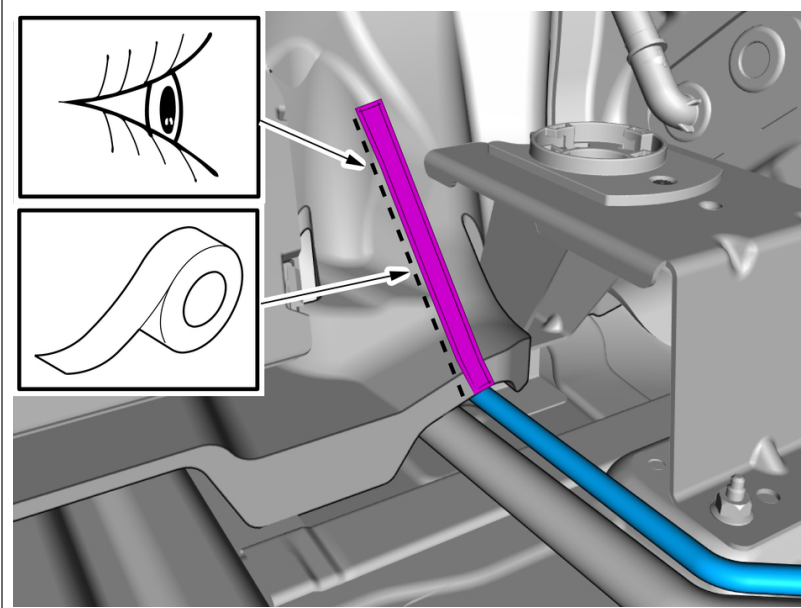
Use: Strip clamp , 983750

Use: Cutting pliers



Caution! Make sure that the components are positioned correctly.

Installation



Reinstall the insulation mat.
Apply tape.

To install, reverse the removal procedure.