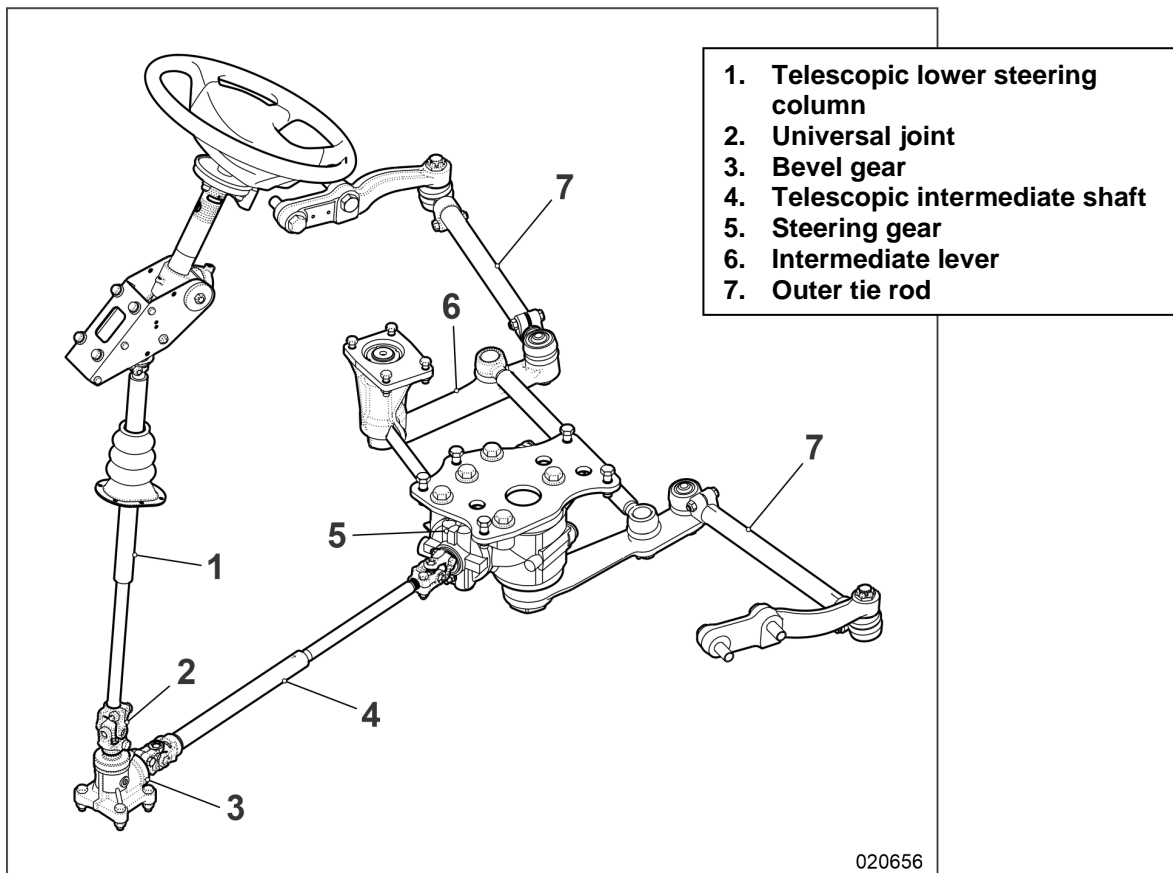


<b>ADDRESSEES</b>	: Owners and operators ABC Customer Care and parts Source
<b>VEHICLE MODEL</b>	: CX35, CX45, CX45E and TX..
<b>MANUAL CHAPTER</b>	: 07.06 Steering system – Front axle steering
<b>BULLETIN TYPE</b>	: <b>Service information</b>
<b>DATE</b>	: July 08 <sup>th</sup> , 2025
<b>SUBJECT</b>	: <b>Introduction of new components in front axle steering system</b>
<b>TERMS AND CONDITIONS</b>	: This service bulletin does not entitle to any reimbursement.

## INTRODUCTION

The purpose of this service bulletin is to inform you that VDL Van Hool has gradually switched over to other components for the front axle steering system. This switch-over has been cut into production as from units 83097 (CX35) and 84560 (CX45). Previous references may be used further, but for future orders only the new components will be supplied.



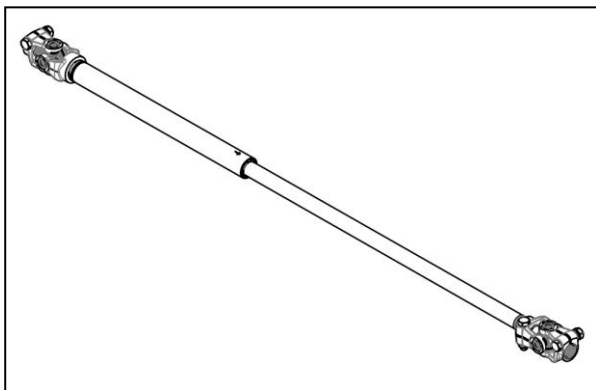
**Figure 1: Front axle steering linkage**

*Continued on next page.*

## **AFFECTED COMPONENTS**

<b>Component</b>	<b>Previous reference</b>	<b>New reference</b>	<b>Remark</b>
<b>Components replaced</b>			
Steering gear	10951983	11921435	Fully interchangeable
Pitman arm	10647857	11800308	Fully interchangeable
Bevel gear	10598332	11921759	Fully interchangeable
Universal joint (at input side of bevel gear)	11554246	10965973	Fully interchangeable Total length in straight position: 100 mm (3,94 inch)
Intermediate lever	10651533	11922922	Fully interchangeable
Outer tie rod	10895617	11856639	Fully interchangeable
Telescopic lower steering column	11175358	11765353	Fully interchangeable
<b>New components</b>			
Telescopic intermediate shaft (between steering gear and bevel gear)	-	11922919	Incorporates two universal joints (one fixed, one removable)
<b>Components no longer supported by manufacturer</b>			
Flexible joint (at output side of bevel gear side)	634203950	-	In case replacement is necessary, use telescopic intermediate shaft 11922919.
Fixed intermediate shaft (between steering gear and bevel gear)	10513154	-	In case replacement is necessary, use telescopic intermediate shaft 11922919.
Universal joint (at input side of steering gear)	11554251	-	In case replacement is necessary, use telescopic intermediate shaft 11922919. Total length in straight position: 120 mm (4.72 inch)

### **Mounting direction of telescopic intermediate shaft 11922919**



**Figure 2: Telescopic intermediate shaft (to connect bevel gear with steering gear)**

There is no requirement about the mounting direction of the telescopic intermediate shaft. Important is to verify during installation if there is sufficient clearance between the shaft body and chassis parts. If necessary, reverse mounting direction.



### **WARNING!**

**Always check for sufficient clearance between shaft body and chassis components when installing a telescopic intermediate shaft.**

*Continued on next page.*

## **HELP DESK**

If there are any questions regarding this subject, please call ABC Customer Care & Parts Source toll-free for guidance on 1-877-427-7278.

## **DISCLAIMER**

The procedures contained herein are not exclusive. VDL Van Hool cannot possibly know, evaluate, or advise the transportation industry of all conceivable ways in which a procedure may be undertaken or of the possible consequences of each such procedure. Other methods may be equally reasonable or even more effective, depending on the specific circumstances involved. Each carrier that uses the procedures herein must first thoroughly ensure that neither the safety of its employees or agents, nor the safety or usefulness of any products, will be jeopardized by any procedure selected.

## **INFORMATION HANDLING**

Important supplements to and modifications of technical information not yet included in the manual, are communicated by means of service Bulletins.

## **VDL VAN HOOL CUSTOMER PORTAL**

Consult the customer portal regularly for the latest service documentation. In addition to the maintenance manual, you will also find the operating manual and the spare parts catalogue of your vehicle on the customer portal. The customer portal is accessible through [www.vdlvanhool.com/My VDL Van Hool](http://www.vdlvanhool.com/My VDL Van Hool), and only with a code (password) from VDL Van Hool. If you do not have a password yet, request it by using the link on the VDL Van Hool website.