

PORSCHE Front and Rear Cameras

Change Overview:

Version	Date	Change
0	08/11/2023	<ul style="list-style-type: none"> First publication
1	04/05/2024	<ul style="list-style-type: none"> Update of order types Update of 5.3.5. Select Park mode Update of 5.3.6. Select the time limit
2	06/24/2025	<ul style="list-style-type: none"> Restriction Added: ONLY approved for vehicles with "Dashcam pre-installing (QK3)"

Model Year: **As of 2024**

Restrictions: Approved for the following markets/countries:

- USA (C02) and Canada (C36)

ONLY approved for vehicles with "Dashcam pre-installing (QK3)"

Information: **Retrofitting**



Figure 1

- Note:
- The Porsche front camera (dashcam ⇒ *Figure 1 -left-*) is affixed to the windshield to the **LEFT** of the interior mirror/rain sensor (viewed in direction of travel).
 - The rear camera (⇒ *Figure 1 -Right-*) is installed at a specified position on the inside of the top right of the rear window (viewed in direction of travel).
 - Both cameras are connected to the vehicle electrical system.
 - They are ideal for making video recordings of driving situations and while parking. They can be configured and operated using a related app on your smartphone.
 - Recorded videos are stored on the supplied SD card and previous recordings are overwritten.
 - If the dashcam detects a shake/vibration or if the radar sensor is triggered, the recorded video is stored separately and not overwritten. Recordings can be downloaded directly from the SD card or via the app.



Information

Important information for customers/customer service advisors:

- Ask customers to download and install the "Porsche Dashcam App" from the App Store (Apple or Google Play) on their device (smartphone/tablet) in advance.

For vehicle handover:

- Recommendation: If the vehicle is present, connect the Porsche front & rear camera WiFi to the vehicle WiFi (see also vehicle operating instructions ⇒ Porsche Connect).
- Together with the customer, choose the "Region/State/Country" by selecting the relevant flag and format the SD card.
- Check with customers whether a firmware update via Porsche Dashcam app is necessary. Perform the firmware update together if necessary.

Further information for customers:

- The customer is responsible for choosing the right "Region/State/Country"!
- After crossing a national border: Update the "Region/State/Country" (see also conditions of use for this topic)!

Part Info: **9Y0.044.951** ⇒ PORSCHE front and rear cameras, set

Always order at the same time:

9Y0.044.955.B¹ 1x ⇒ Front camera mounting plate with wire harness, –Rest of world (RoW)– 400 mm, ASSY

9Y0.044.956 1x ⇒ Wire harness for rear camera, ASSY

¹ Order according to market/country!

Parts List:



Figure 2

Parts included with PORSCHE front and rear cameras (9Y0.044.951 ⇒ Figure 2 -1-7-), set:

- — — 1x 3M privacy film (front & rear camera) ⇒ Figure 2 -1-
- — — 1x Front camera ⇒ Figure 2 -2-
- — — 1x Micro SD memory card (32 GB, plugged into front camera) ⇒ Figure 2 -3-
- — — 1x Rear camera ⇒ Figure 2 -4-
- — — 1x PORSCHE dashcam operating instructions ⇒ Figure 2 -5-
- — — 6 x Protective foam roll (∅ approx. 29 x 74) ⇒ Figure 2 -6-
- — — 12 x Tie-wrap, 145 x 3.6 x 1.1 ⇒ Figure 2 -7-
- 9Y0.044.955.B¹ 1x Front camera mounting plate with wire harness –Rest of World (RoW)– 400 mm ⇒ Figure 2 -8-
- 9Y0.044.956 1x Wire harness for rear camera, ASSY ⇒ Figure 2 -9-

Repair kit: Order “Adhesive pad” repair kit **ONLY** when replacing the windshield/rear window.

- 9Y0.044.931 1x “Adhesive pad” repair kit contains:
- — — 1x Adhesive pad for front camera retainer plate (grey) on backing sheet

---	1x	Adhesive pad for rear camera (grey)
---	1x	3M privacy film (front & rear camera) ⇒ <i>Figure 2 -1-</i>

Technical details:

- Video recording in Quad High Definition (QHD)
- Lens with polarization filter to reduce reflections and improve colors and contrasts
- Audio recording (can be deactivated)
- Global positioning system (GPS) sensor
- Vibration sensor
- Radar sensor for video recording when an object is approaching the vehicle
- Windshield bracket for permanent mounting on the vehicle
- Rear camera is permanently installed on the inside rear window

Material:

---	1 x	Wrapping / insulating tape (commercially available)
---	1 x	Cleaning cloth (commercially available)
---	1 x	Isopropanol (commercially available)

Tool:

P90999 - P90999 - PIWIS Tester 4

Tablet, smartphone or PC with Internet access

Round file \varnothing at least 5 mm, utility knife, scraper

Marking pencil / chalk

Torch

Plastic squeegee

Assembly:

1 Preparatory work

1.1 Connect battery charger. ⇒ *Workshop Manual '2X00IN Battery trickle charge'*

1.2 Expose front roof/rear-view mirror area (interior ⇒ *Figure 3*)

- 1 – Roof console
- 2 – Rear-view mirror (interior) cover
- A – Front camera power supply pre-fitting position
- B – Rear camera video signal pre-fitting position

1.2.1 Remove front roof console. ⇒ *Workshop Manual '708319 Removing and installing front roof console'*

1.2.2 Remove (interior) rear-view mirror cover. ⇒ *Workshop Manual '682719 Remove and install interior rearview mirror'*

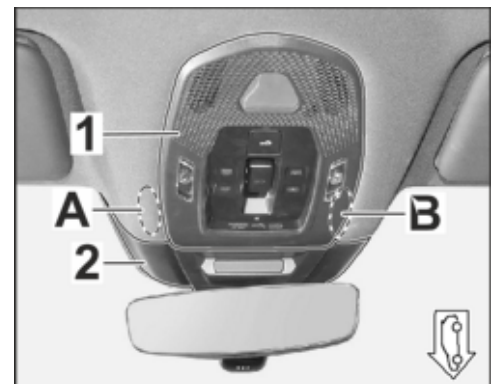


Figure 3

- 1.3 Uncover tailgate area (⇒ Image 4 (Coupé, similar base))
 - 1 – Trim panel for window frame, center
 - 2 – Rear lid lower trim panel
 - 3 – Trim panel for window frame, right side
 - A – Rear camera pre-fitting position

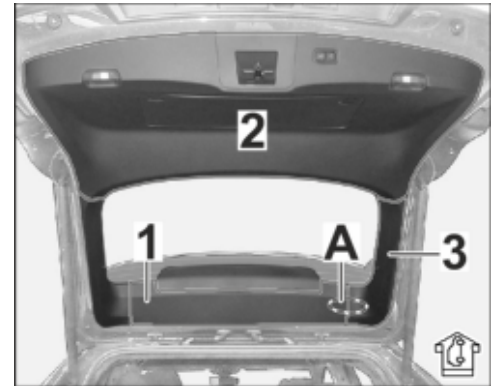


Image 4 (Coupé, similar base)

- 1.3.1 Remove rear lid switch. ⇒ Workshop Manual '553619 Removing and installing switch for rear lid'
- 1.3.2 Remove rear lid boot light. ⇒ Workshop Manual '964019 Removing and installing luggage compartment light in rear lid'
- 1.3.3 Remove rear lid lower trim panel. ⇒ Workshop Manual '708719 Removing and installing trim panel for rear lid'

2 Installing front camera

Overview of installation position ⇒ Figure 5

- 1 – Rain sensor
- 2 – Installation position of front camera
- 3 – Electric wire harness
- 4 – Power supply
- 5 – Rear camera connection (video signal)

- 2.1 Position front camera (dashcam) on windshield to the **LEFT** of interior mirror / rain sensor

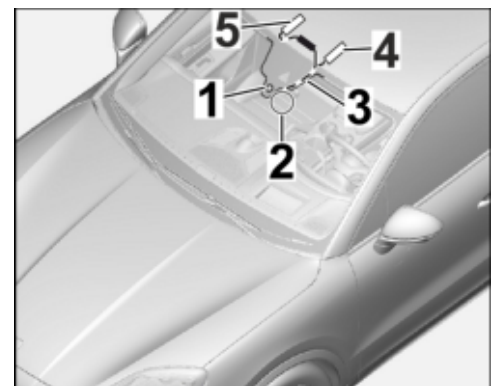


Figure 5

- 2.1.1 Install retainer plate with wire harness on the base of the front camera until the locking mechanism engages. ⇒ *Figure 6*

- 1 – Retainer plate with wire harness
- 2 – Front camera base

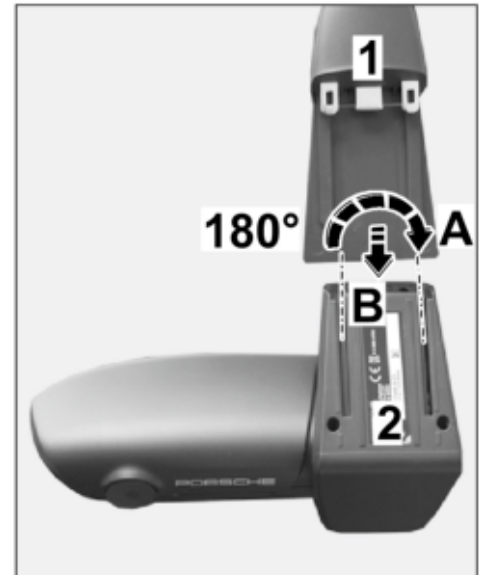


Figure 6

- 2.1.2 Trace outline of rain sensor on outside of windshield using grease pencil / chalk. ⇒ *Figure 7 -1-*

- 1 – Outline of rain sensor
- 2 – Outline of front camera base
- 3 – Interior mirror
- 4 – Front camera
- X- – Distance from roof edge to lower edge of front camera base
- Z- – Distance from inner edge of rain sensor outline (circle) to inner edge of front camera base

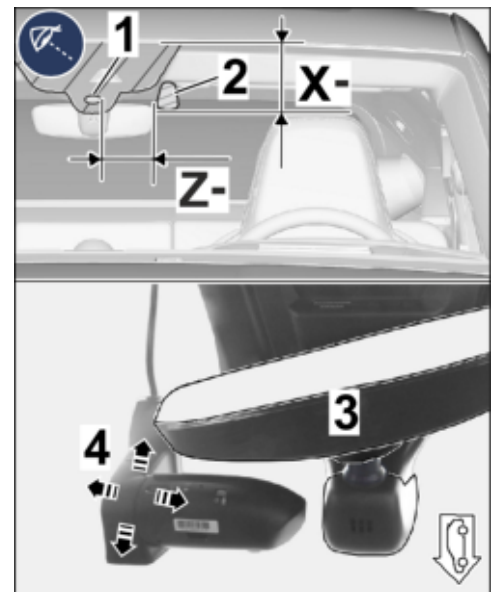


Figure 7



Information

Due to legal requirements, there are two different positions for the front camera depending on the country / market (see also work step from 2.1.2 and following).

- Position in Rest of World (RoW) = ... -RoW

Also observe the body variants (Base 9YA / Coupé 9YB) when positioning the front camera!

2.1.3 Copy dimensions X– and Z– according to country / market and body variant on outside of windshield.

– **Base (9YA):**

Dimensions	Rest of World (RoW)
Dimension X (roof edge – lower edge of front camera base):	Length 280 mm/ 11.02 in
Dimension Z (Inner edge of rain sensor outline (circle) – inner edge of front camera base):	Length 35 mm/ 1.38 in

– **Coupé (9YB):**

Dimensions	Rest of World (RoW)
Dimension X:	Length 305 mm/ 12 in
Dimension Z:	Length 35 mm/ 1.38 in



Information

Observe the following points during positioning/alignment:

- Sufficient distance between front camera and interior mirror base: at least 5 mm/ 0.2 in.
- Get another person standing in front of the vehicle to check and confirm the horizontal alignment of the camera with the PORSCHE logo!

2.1.4 Position front camera with retainer plate (⇒ *Figure 7 -4-*) in the vehicle at the marking on the windshield. ⇒ *Figure 7 -Arrows-*

2.1.5 Get another person to trace and shade in the outline of the retainer plate on the outside of the windshield using a marking pencil / chalk.

2.1.6 Clean the inside of the windshield in the bonding area for the retainer plate (shaded area) to remove any dust and grease.

2.2 Install front camera (dashcam) on the windshield

NOTICE

Adhesive films not prepared/installed correctly

- **Damage to adhesive films**
 - **Inadequate adhesion of adhesive films**
- ⇒ **Carefully clean the areas on which you intend to stick the film to ensure that all traces of oil, grease and silicone are completely removed.**
- ⇒ **Do not touch the bonding surfaces.**

⇒ **Object (adhesive film, vehicle, etc.) and ambient temperature: Minimum temperature 15°C / 59 °F.**

2.2.1 Pull 3M privacy film off the backing sheet. ⇒ *Figure 8 -A-*

- 1 – 3M privacy film
- 2 – Marked bonding surface
- 3 – Interior mirror base

2.2.2 Position 3M privacy film on marked bonding surface on windshield. ⇒ *Figure 8 -B-*

2.2.3 Carefully affix 3M privacy film using a plastic squeegee, starting from the center and moving towards the edge.

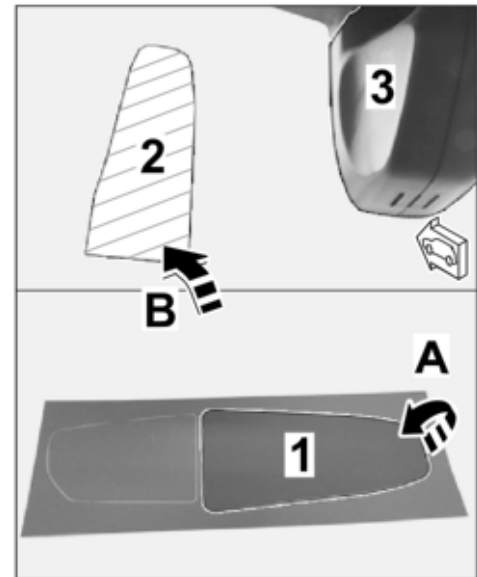


Figure 8

2.2.4 Pull protective film off the front camera retainer plate (⇒ *Figure 9 -top-*).

- 1 – Protective film
- 2 – Front camera
- 3 – 3M privacy film
- 4 – Interior mirror



Information

Observe the following points during positioning/alignment:

- Sufficient distance between front camera and interior mirror base: at least 5 mm / 0.2 in.
- Get another person standing in front of the vehicle to check and confirm the horizontal alignment of the camera with the PORSCHE logo!

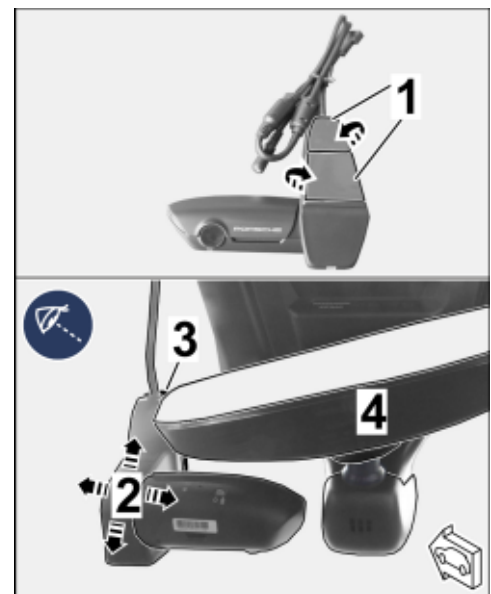


Figure 9

Align front camera with retainer plate symmetrically with respect to the 3M privacy film (⇒ *Figure 9 -bottom-*).

2.2.5 Press front camera with retainer plate firmly onto the 3M privacy film on the windshield.



Information

Route electric wire harness along existing wiring, if installed.

Make sure that safety components (airbags, etc.) are still working correctly!

2.3 Route and connect electric wiring harness

– Line routing - **Base (9YA)**:⇒ *Figure 10 (9YA)*

- 1** – Front camera
- 2** – Front camera mounting plate with wiring harness
- 3** – Power supply pre-fitting
- 4** – Rear camera pre-fitting
- Blue** – Camera position for Germany (D)
- green** – Camera position for Rest of World (RoW)

- Front camera → left (seen in direction of travel) **RoW**: below rear-view mirror cover

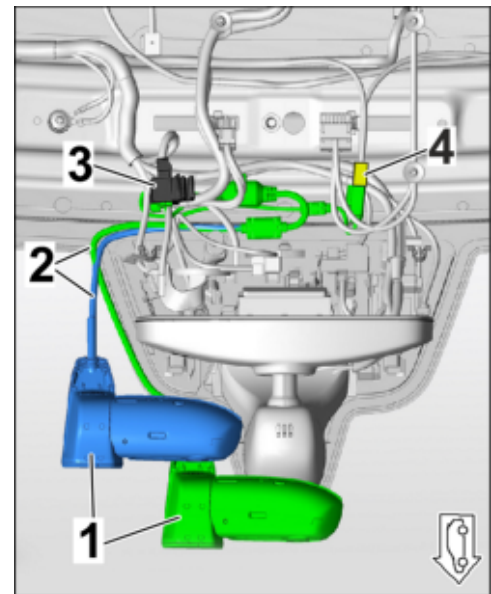


Figure 10 (9YA)

– Line routing - **Coupé (9YB)**: ⇒ *Figure 11 (9YB)*

- 1** – Front camera
 - 2** – Front camera mounting plate with wiring harness
 - 3** – Power supply pre-fitting
 - 4** – Rear camera pre-fitting
 - Blue** – Camera position for Germany (D)
 - green** – Camera position for Rest of World (RoW)
- Front camera → left (seen in direction of travel) **RoW**: below rear-view mirror cover

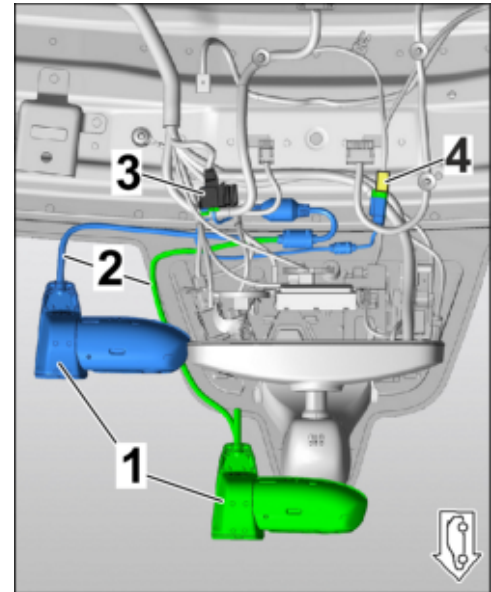


Figure 11 (9YB)

2.3.1 Expose power supply pre-fitting plug connections and rear camera pre-fitting at the roof console.

- 1** – Power supply pre-fitting
- 2** – Rear camera pre-fitting
- 3** – Rearview mirror (interior)

Remove retaining clip with power supply plug from roof lining frame. ⇒ *Figure 12 -1-*

Remove rear camera pre-fitting plug from holder. ⇒ *Figure 12 -2-*

2.3.2 Route front camera (dashcam) wiring harness left of the interior mirror to the roof console. Observe vehicle & country variants.

2.3.3 Wrap front camera wiring harness with switch and coupling with fabric tape before routing it.

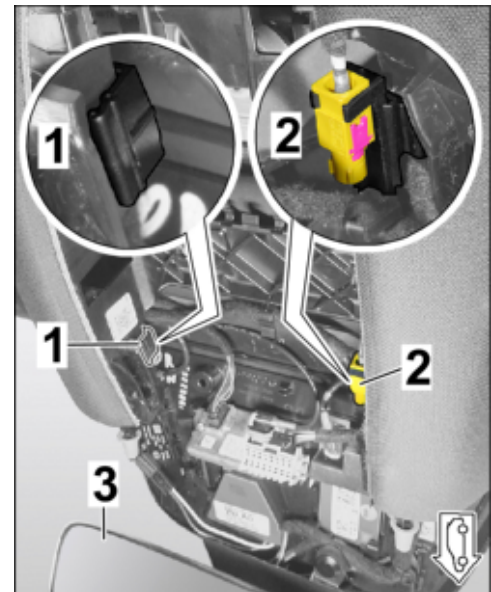


Figure 12

2.3.4 Plug in power supply pre-fitting (roof console at the left) and reattach retaining clip to roof lining frame.

- 1 – Power supply plug connection retaining clip
- 2 – Rear camera plug connection
- 3 – Front camera wiring harness
- 4 – Front camera

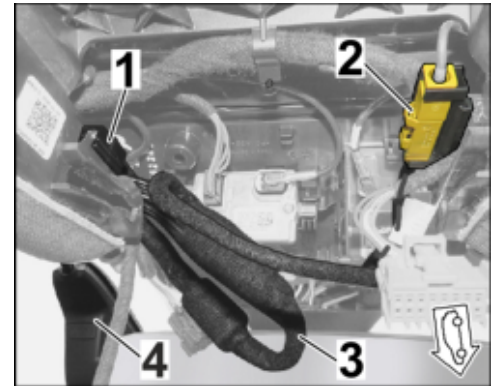


Figure 13

2.3.5 Route rear camera link along existing lines to rear camera pre-fitting (roof console at the right in direction of travel).

2.3.6 Connect rear camera pre-fitting plug and re-fit it in the holder. ⇒ Figure 13 -2-

2.3.7 Secure routed wire harness to existing lines / components in the vehicle with tie-wraps without tensile stress and so that no chafing occurs.

2.4 **ONLY** for RoW vehicles: Make groove for mounting plate wiring harness in rear-view mirror (interior ⇒ Figure 14) cover.

- 1 – Rear-view mirror (interior) cover
- 2 – Groove marking
- ∅ – Groove diameter approx. 5 mm

2.4.1 Install rear-view mirror cover provisionally on the roof console.

2.4.2 Check front camera wiring harness routing from mounting plate to roof and mark position of outer wiring harness on antenna cover. ⇒ Figure 14 -2-

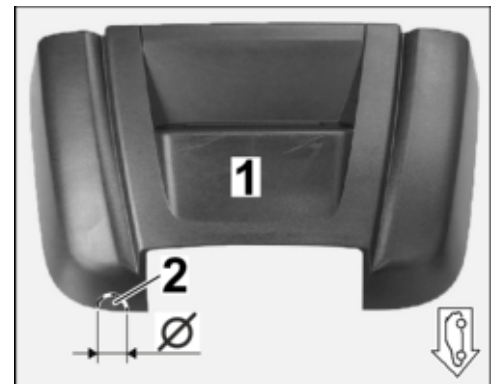


Figure 14

2.4.3 Remove (interior) rear-view mirror cover from roof console and check that there is a locking lug / mounting bar near the marking on the inside.

2.4.4 Make a groove (approx. 5 mm) on the side of the locking lug / mounting bar for mounting plate wiring harness.

2.5 Install rear-view mirror cover (interior). ⇒ Workshop Manual '682719 Remove and install interior rearview mirror'

3 Installing rear camera

Overview of installation position of rear camera:
⇒ Figure 15

- 1 – Installation position of rear camera
- 2 – Electric wire harness
- 3 – Rear camera pre-fitting

3.1 Positioning rear camera on rear window.

3.1.1 Transfer dimensions to rear window according to body variant.

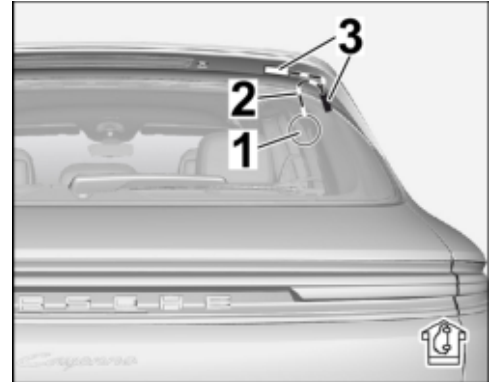
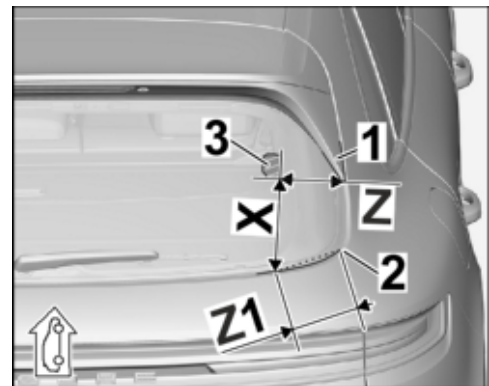


Figure 15

– **Base (9YA):** ⇒ Position of rear camera base (9YA)

- 1 – Corner of roof spoiler
- 2 – Corner of tailgate/lower edge of rear window
- 3 – Outline of rear camera base
- X – 298 mm
- Z – 212 mm



Position of rear camera base (9YA)

Dimensions	Base (9YA)
Dimension X (rear window lower edge at Z1 – lower edge of rear camera base):	Length 298 mm/ 11.73 in
Dimension Z (outer edge of rear window – outer edge of rear camera base):	Length 212 mm/ 8.35 in
Z1 (rear lid corner/rear window – outer edge of rear camera base):	Length 197 mm/ 7.76 in

– **Coupé (9YB):** ⇒ *Coupé (9YB) rear camera position*

- 1** – Upper edge of rear window
- 2** – Corner of tailgate/lower edge of rear window
- 3** – Outline of rear camera base
- X** – 181 mm/ 7.13 in
- Z** – 201 mm/ 7.91 in



Coupé (9YB) rear camera position

Dimensions	Coupé (9YB)
Dimension X (Upper edge of rear window – lower edge of rear camera base):	Length 181 mm/ 7.13 in
Dimension Z (outer edge of rear window – outer edge of rear camera base):	Length 201 mm/ 7.91 in
X1 (rear lid corner/rear window – lower edge of rear camera base):	Length 304 mm/ 11.97 in

- 3.1.2 Position rear camera in the vehicle at marking on rear window.
- 3.1.3 Do NOT close the tailgate. Have a second person trace and shade mounting plate outline on outside of rear window using grease pencil/chalk
- 3.2 Fixing privacy film
 - 3.2.1 Clean bonding area for rear camera (marking) on inside of rear window to remove any dust and grease.

3.2.2 Peel backing sheet off 3M privacy film (rear camera). ⇒ *Figure 16 (example 9YA) -A-*

- 1 – 3M privacy film (rear camera)
- 2 – Marked bonding surface
- 3 – Power supply pre-fitting
- 4 – Video signal pre-fitting

3.2.3 Position and affix 3M privacy film on marked bonding surface on inner rear window. ⇒ *Figure 16 (example 9YA) -B-*

3.2.4 Carefully affix 3M privacy film using a plastic squeegee, starting from the center and moving towards the edge.

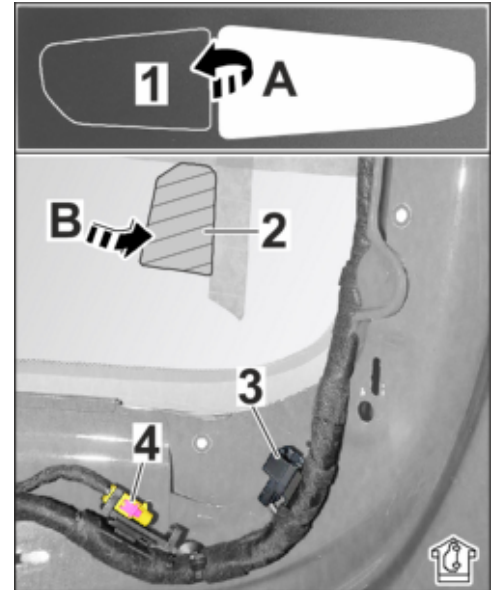


Figure 16 (example 9YA)

3.3 Installing rear camera on rear window

3.3.1 Insert wiring harness plug into rear camera (⇒ *Figure 17*) and position line in cable duct.

- 1 – Plug with wire harness
- 2 – Rear camera
- 3 – Cable duct
- 4 – Protective film

3.3.2 Peel protective film (⇒ *Figure 17 -4-*) off the rear camera base.



Figure 17

3.3.3 Align rear camera symmetrically to 3M privacy film on inside of rear window, install and press it firmly onto rear window.

- 1 – Rear camera
- 2 – Plug with wire harness
- 3 – Power supply pre-fitting
- 4 – Video signal pre-fitting

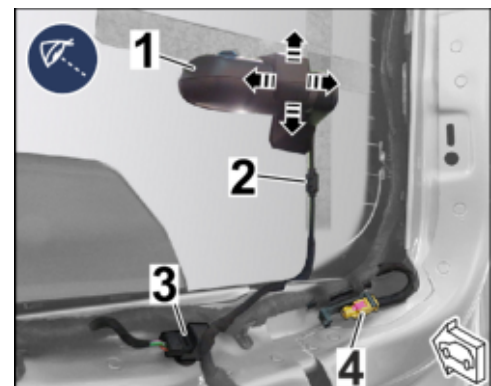
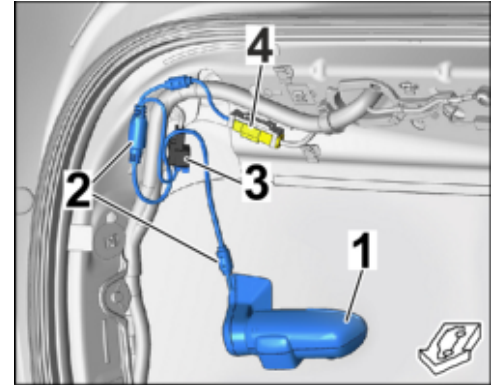


Figure 18 (example 9YB)

3.4 Route and connect electric wire harness

– Line routing base (9YA): ⇒ *Line routing 9YA*

- 1 – Rear camera
- 2 – Wire harness
- 3 – Power supply
- 4 – Video signal

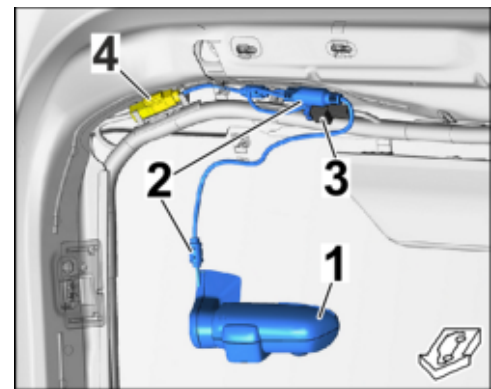


Line routing 9YA

– Line routing Coupé (9YB):

- 1 – Rear camera
- 2 – Wire harness
- 3 – Power supply
- 4 – Video signal

- Rear camera → rear window frame (top) → along existing cable (rear window frame, right) → power supply pre-fitting/rear camera video signal pre-fitting



Line routing 9YB

3.4.1 Route wiring harness to rear camera pre-fitting.

3.4.2 Secure routed wire harness to existing lines/components in the vehicle with tie-wraps without tensile stress and so that no chafing occurs.

3.4.3 Dismantle video signal connector from holder (⇒ *Figure 19 (example 9YB) -4-*).

- 1 – Rear camera
- 2 – Wire harness
- 3 – Power supply
- 4 – Video signal
- 5 – Trim (Coupé ONLY – 9YB)

Plug in video signal pre-fitting.

Install video signal plug connection into holder.

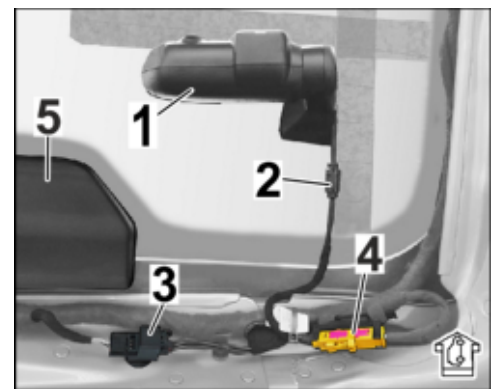


Figure 19 (example 9YB)

3.4.4 Connect plug connection for power supply pre-fitting. (⇒ *Figure 19 (example 9YB) -3-*)

4 Interior finishing work

4.1 Install rear lid lower trim panel. ⇒ *Workshop Manual '708719 Removing and installing trim panel for rear lid'*

4.1.1 Install right rear lid trim/top provisionally on rear lid.

Check that there is sufficient space between trim and rear window for rear camera wiring harness. ⇒ *Figure 20 (example 9YA)*

- 1 – Rear camera
- 2 – Wire harness
- 3 – Window frame trim panel

4.1.2 If not: Mark line routing on trim panel. ⇒ *Figure 20 (example 9YA) -Arrow-*

4.1.3 Remove trim from boot lid window frame and cut a groove for the wiring harness at the marking.

4.1.4 Install rear lid lower trim panel. ⇒ *Workshop Manual '708719 Removing and installing trim panel for rear lid'*

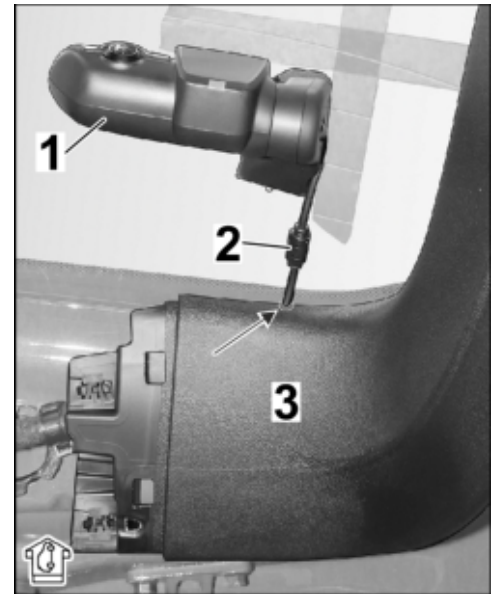


Figure 20 (example 9YA)

4.2 Install rear lid boot light. ⇒ *Workshop Manual '964019 Removing and installing luggage compartment light in rear lid'*

4.3 Installing switch on rear lid. ⇒ *Workshop Manual '553619 Removing and installing switch for rear lid'*

4.4 Install front roof console. ⇒ *Workshop Manual '708319 Removing and installing front roof console'*

Coding: 5 Coding PORSCHE front and rear cameras in dealer mode

5.1 Preparatory work

- 1 – PORSCHE front camera
- 2 – Micro SD memory card (32 GB)
- 3 – Retainer plate
- 4 – Power button
- 5 – WiFi status LED display
- 6 – PRESS (release button)



Figure 21

5.1.1 Remove micro SD memory card (32 GB, ⇒ *Figure 21 -2-*) from front camera card slot.

5.1.2 With the ignition switched on, push the front camera (dashcam ⇒ *Figure 21 -1-*) into the retainer plate on the windshield (⇒ *Figure 21 -3-*)

5.1.3 Press power button (⇒ *Figure 21 -4-*) for 10 seconds until you hear the second double-beep.

5.1.4 The front camera (dashcam) starts in Dealer mode: WiFi LED (⇒ *Figure 21 -5-*) lights up "yellow".

5.2 Connect front camera (dashcam) to device (tablet, smartphone or PC)



Information

The "Dealer mode" network ID name ends with a "D". A password is **NOT** required!

The language setting can be changed by following the menu prompts after opening the first page.

5.2.1 Search available networks for Dealer mode WiFi.

5.2.2 Open Dealer mode on the device (tablet, smartphone or PC) using any browser.

To do this, enter "**192.168.1.1/diagnostics**" line in the browser's address bar.

5.2.3 Displays in "Dealer mode" main menu:

Options: (⇒ *Figure 22*)

- 1 – Browser's address bar
- 2 – "Options" menu item

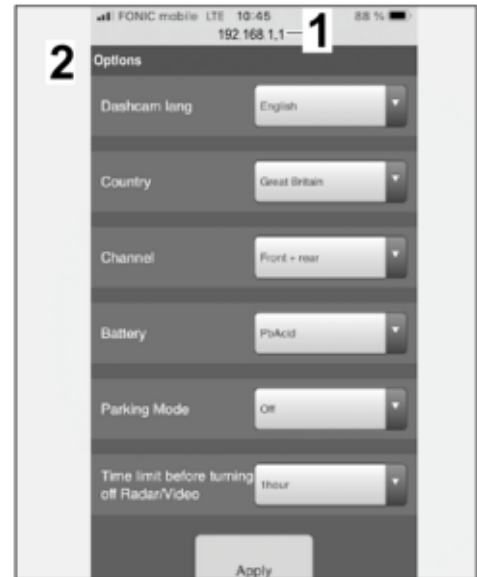


Figure 22

Diagnosis: (⇒ *Figure 23*)

- 1 – Browser's address bar
- 2 – "Diagnostics" menu item

5.3 Basic settings for front camera (dashcam) in the "Options" menu item (⇒ *Figure 24*)

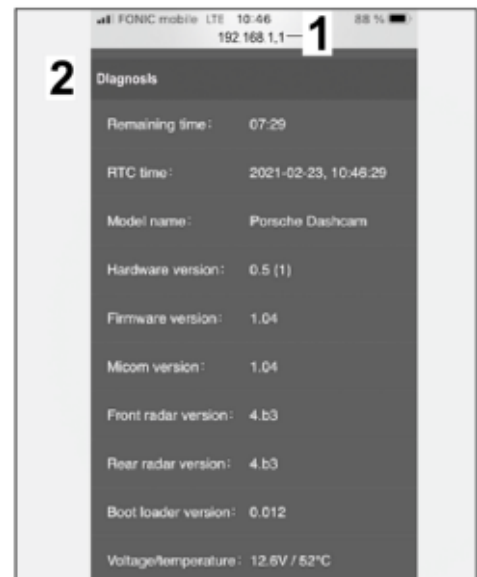


Figure 23

- 5.3.1 Change the default language "English" to the desired language:
- 1 – Default language "English"
 - 2 – German

Example: German (⇒ Figure 24)

- Up to 19 different languages can be selected.

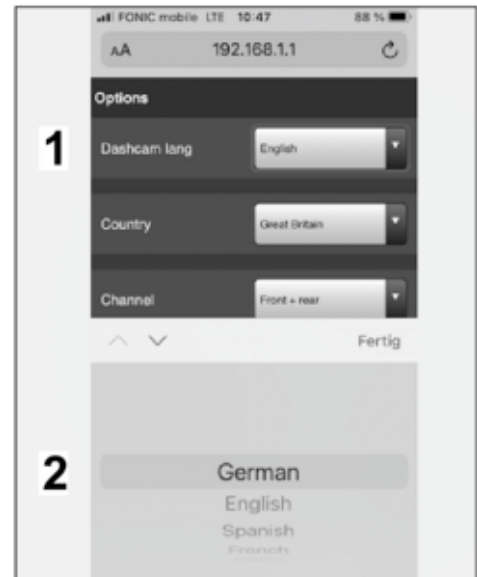


Figure 24



Information

If the relevant country is **NOT** displayed in the drop-down menu:
Please select "Global".

- 5.3.2 Select country (⇒ Figure 25).

- 1 – Serial number of front camera (dashcam)
- 2 – Selected country
- 3 – Great Britain

- Up to 48 countries are currently available for selection.
- The Country selection screen includes, for example: Units of measurement, frequencies and also legal regulations of the respective country.
- **Cayenne:** ⇒ Choose Region / State / Country by selecting the appropriate flag.

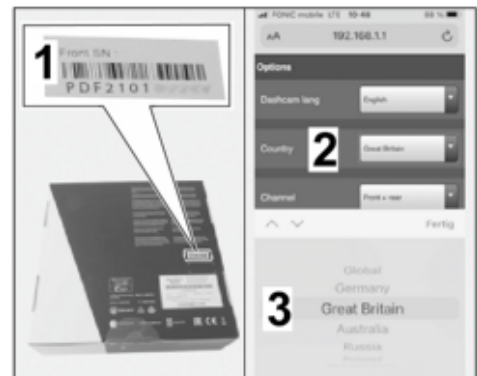


Figure 25

5.3.3 Select camera channel (⇒ *Figure 26*).

- 1 – Channel
 - 2 – Front + Rear
- **TEQUIPMENT:** ⇒ “Front + rear” is preset.

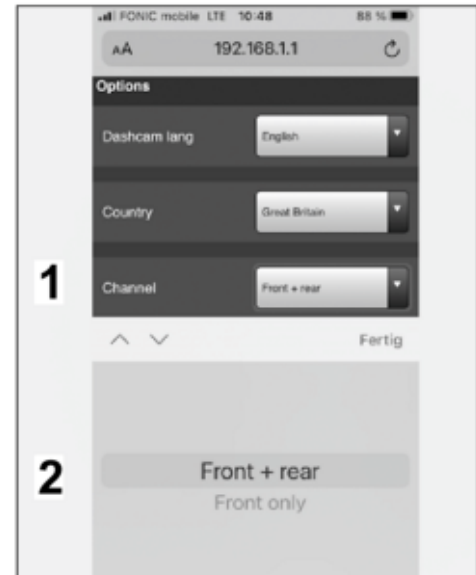


Figure 26



Information

Check which vehicle electrical system battery is installed in the vehicle if necessary by entering the vehicle identification number (VIN) in the Porsche Central Service System (PCSS).

Background: The front camera shuts down if the correct battery voltage (switch-off threshold) is not reached over a period of 5 minutes.

- Switch-off threshold for lead-acid battery (PbAcid) = 11 V
- Switch-off threshold for lithium-ion battery (LiFePO) = 13 V

5.3.4 Select battery type (⇒ Figure 27)

- 1 – Battery
 - 2 – PbAcid
- Select the electrical system battery installed in the vehicle.
 - **Cayenne:** ⇒ Lead-acid battery (PbAcid) **OR** ⇒ Lithium-ion battery (LiFePo)

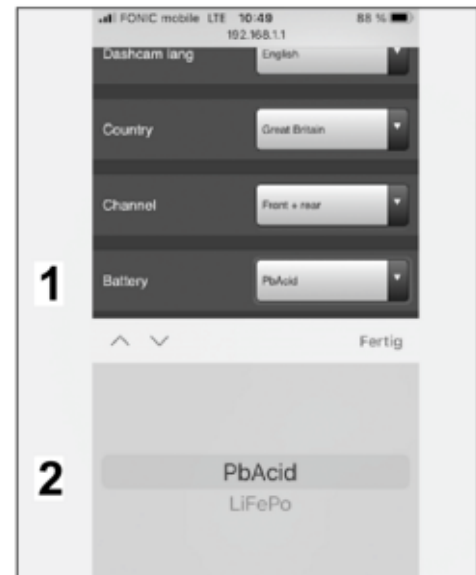


Figure 27

5.3.5 Select Park mode (⇒ Figure 28)

- 1 – Park mode
 - 2 – From
- Depending on the approval for the respective vehicle.
 - **All Cayenne vehicles:** ⇒ Select "On".

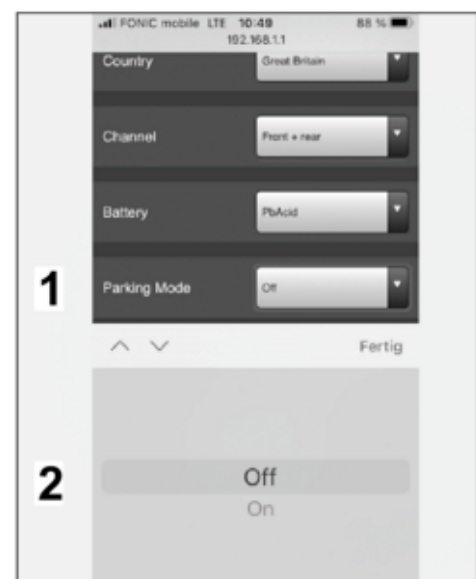


Figure 28

5.3.6 Select the time limit (⇒ Figure 29)

- 1 – Time limit until radar / video is switched off
 - 2 – 1 hour
- Turn off radar / video monitoring in Park mode (battery management). After the selected time limit, fast activation of the monitoring system ONLY occurs if the vehicle shakes/vibrates!
 - **All Cayenne vehicles:** ⇒ Skip. Leave the default setting.

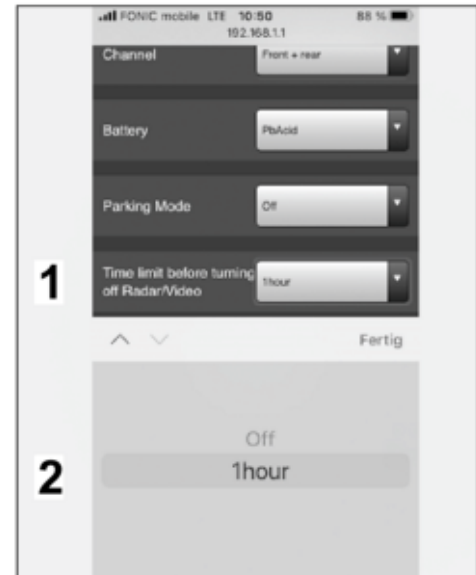


Figure 29

5.4 End Dealer mode (WiFi LED is still yellow)

5.4.1 Close browser and switch off ignition.

5.4.2 Pull front camera (dashcam) off mounting plate by pressing "PRESS" (release button).

5.4.3 Insert micro SD memory card (32 GB) in front camera (dashcam).

5.4.4 Install the front camera (dashcam) in the mounting plate.

5.5 The settings configured in **Step 5.3** are set when the ignition is switched on again.

5.6 Formatting micro SD memory card (32 GB)

5.6.1 Switch on the ignition.

5.6.2 Press the power button quickly 6 times in a row within 3 seconds.

Announcements from front camera loudspeaker: "Formatting in progress." and "Formatting completed."

Diagnostics: 6 Perform diagnostics on front camera (dashcam) – **ONLY** if necessary!

In the "Diagnostics" menu, information can be displayed, function tests can be run and results can be stored.

6.1 Information about the model name, hardware and software version, radar and more (⇒ *Figure 30*).

- 1 – Model name
- 2 – Hardware version
- 3 – Software version

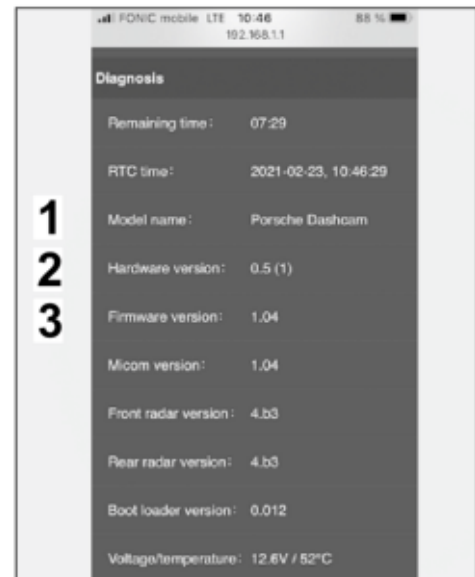


Figure 30

6.2 Display of live images from front camera, connection status, memory card status, GPS and radar status and more (⇒ *Figure 31*).

- 1 – Front camera live image
- 2 – Rear camera status (if installed)
- 3 – Micro SD memory card contents
- 4 – GPS status
- 5 – GPS coordinates



Figure 31

6.3 Display of radar status, test options for LED lights, loudspeaker and microphone (⇒ *Figure 32*)

- 1 – Radar status
- 2 – LED Lights test
- 3 – Loudspeaker test
- 4 – Microphone test

6.4 The fault report can be stored on the micro SD memory card (32 GB). To do this, use micro SD memory card in Dealer mode and select "Diagnostics" menu item in the front camera.

Assembly: 7 Follow-up actions

7.1 Read out the fault memory of all systems, work through any existing faults and erase the fault memory. ⇒ *Workshop Manual '033500 Fault memory for on-board diagnosis'*

7.2 Disconnect the battery charger. ⇒ *Workshop Manual '2X00IN Battery trickle charge'*

7.3 Vehicle handover to customer



Information

Please pass all this information on to the customer.

Also give the customer the PORSCHE dashcam operating instructions.

Also give the first 3 pages of these Installation and Conversion Instructions to the customer.

7.3.1 Download the app from the App Store to the customer's device (smartphone / tablet).

7.3.2 If the vehicle is present, connect the Porsche front & rear camera WiFi to the vehicle WiFi (see also vehicle operating instructions ⇒ Porsche Connect).

7.3.3 Select and set Region / State / Country (flag) in the app on the customer's smartphone / tablet.

7.3.4 Have the customer update firmware using the app.

7.3.5 Format micro SD memory card (32 GB).

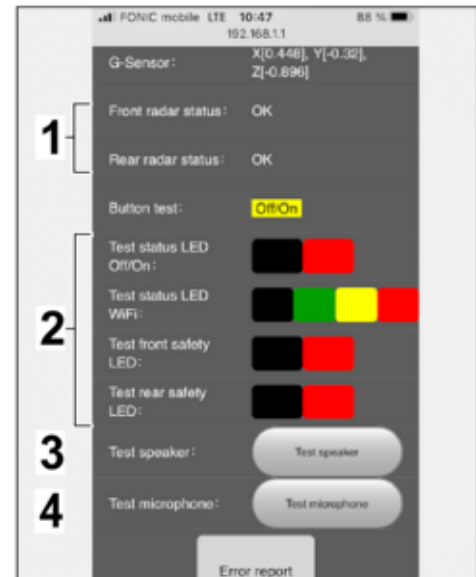


Figure 32

91 63 23 40: –PORSCHE front and rear cameras (1 x) retrofitted– Labor time: **238 TU**
Includes: Install PORSCHE front camera (dashcam) on the windshield,
route and connect electrics;
Install PORSCHE rear camera on the rear window, route and
connect electrics;
Format coding of the PORSCHE front and rear cameras in dealer
mode and in the micro SD memory card,
Read out error memory, remedy and erase errors.

Important Notice: Technical Bulletins issued by Porsche Cars North America, Inc. are intended only for use by professional automotive technicians who have attended Porsche service training courses. They are written to inform those technicians of conditions that may occur on some Porsche vehicles, or to provide information that could assist in the proper servicing of a vehicle. Porsche special tools may be necessary in order to perform certain operations identified in these bulletins. Use of tools and procedures other than those Porsche recommends in these bulletins may be detrimental to the safe operation of your vehicle, and may endanger the people working on it. Properly trained Porsche technicians have the equipment, tools, safety instructions, and know-how to do the job properly and safely. Part numbers listed in these bulletins are for reference only. The work procedures updated electronically in the Porsche PIWIS diagnostic and testing device take precedence and, in the event of a discrepancy, the work procedures in the PIWIS Tester are the ones that must be followed.

© 2025 Porsche Cars North America, Inc.