

Volvo Car USA LLC

Technical Journal

Technical Journal Title Subwoofer Poor Sound		Ref. No. TJ 37333.1.0	
Issuer (Dept.) Technical Service		Issue Date 3/27/25	Status Date 4/1/25
Car Market United States and Canada	Partner 3 US 7510 Volvo Car USA	Function Group 3956	
Function Description Power amplifier; high-power cables		Page Page 1 of 6	

Attachment

File Name	File Size
TJI-531549-1_1_2_en-US.pdf	1.0525 MB

DESCRIPTION:

If the customer complains on disturbing noise from the rear/luggage compartment of the vehicle when playing music with powerful bass, follow advice under "Service".

This TJ only concerns vehicles with Audio level:

VDN code: K502 - AUDIO SYSTEM Audio level 2 (BOSE)

VDN code: K503 - AUDIO SYSTEM Audio level 3 (Bowers & Wilkins)

CSC Customer Symptom Codes

Code	Description
FW	Speakers/Crackly sound
FX	Speakers/Muffled sound
FY	Speakers/Distorted sound

DTC Diagnostic Trouble Codes

Vehicle Type

Type	Eng	Eng Desc	Sales	Body	Gear	Steer	Model Year	Plant	Chassis range	Struc Week Range
356							2025-9999		-	202417-999952

SERVICE:

If experiencing a disturbing noise when playing music with powerful base, referring to TJ_37333_1.mp4 in attachment, please follow the attached instruction "TJI-531549-1_1_2".

Warranty claim info:

To get a warranty claim accepted for a job described in this TJ, use the corresponding VST OP number stated in this TJ.

Note that the TJ number must be stated in the repair order text.

Technical Journal 37333.1.0

VST Operation Number

VST Operation Number	Description
98782-2	Subwoofer luggage compartment adjust acc. to TJ

VEHICLE REPORT:

Yes, please submit a Vehicle Report if the service solution described in this TJ has no effect. Use concern area "Vehicle Report" and sub concern area "Support needed", use function group 3956.

To view TJ attachments continue to next page. This TJ has one attachment.



Volvo Car Customer Service

TJ Instruction VCC-531549-1

Title	Subwoofer	Page	1 (4)
Action	Adjustment	Operation number:	98782-2

Issue	Date	Reason
1	2025-02	First issue

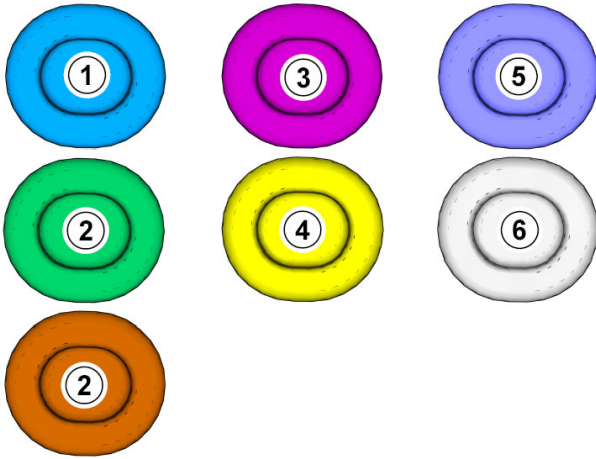
Affected vehicles

Model year	Model
2025, 2026	EX90

Materials

Materials	Qty.	Part No.	Notes
Tape	1	31424536	

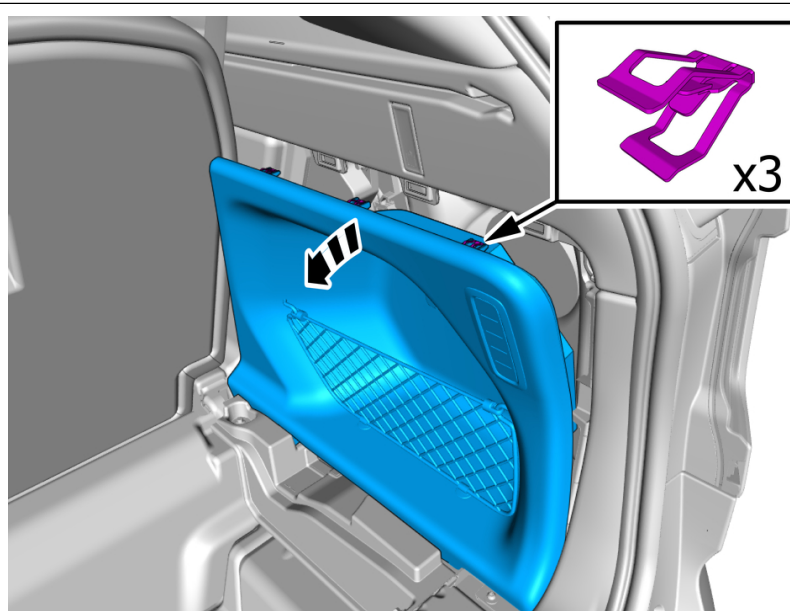
Color symbols



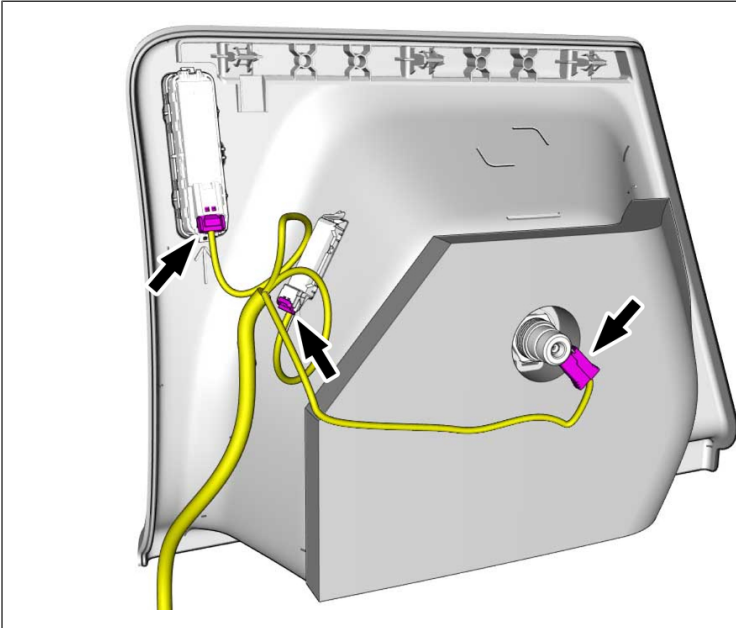
Note! This colour chart displays (in colour print and electronic version) the importance of the different colours used in the images of the method steps.

- 1 . Used for focused component, the component with which you will do something.
- 2 . Used as extra colors when you need to show or differentiate additional parts.
- 3 . Used for attachments that are to be removed/installed. May be screws, clips, connectors, etc.
- 4 . Used when the component is not fully removed from the vehicle but only hung to the side.
- 5 . Used for standard tools and special tools.
- 6 . Used as background color for vehicle components.

Removal

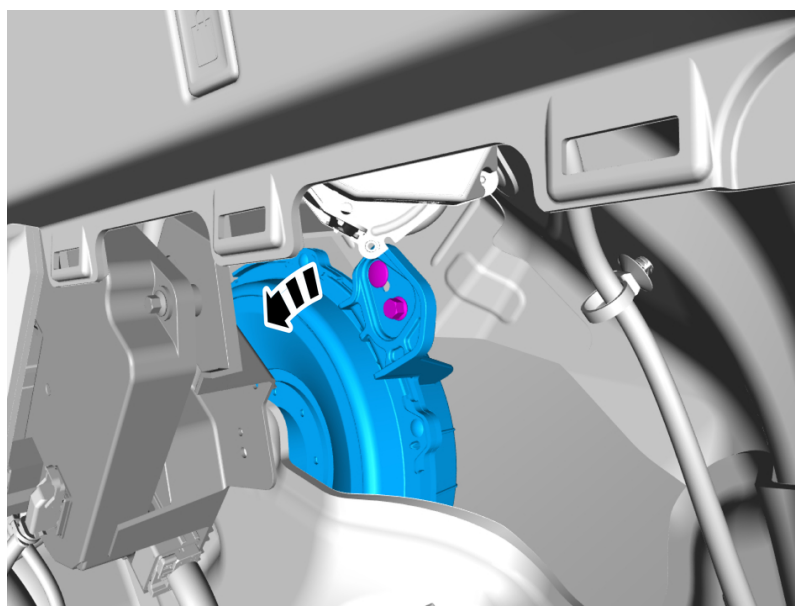


Loosen the component indicated. Do not remove it.



Note! The number of connectors may vary depending on the vehicle's equipment level.

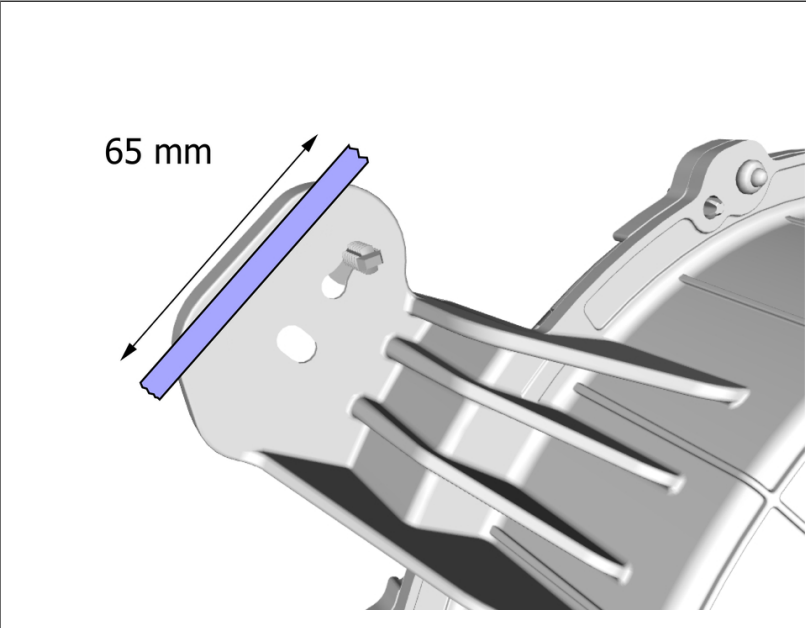
Disconnect the connectors.
Remove the panel.



Remove the screw.
Loosen the clip.
Loosen the marked detail.

Torque:

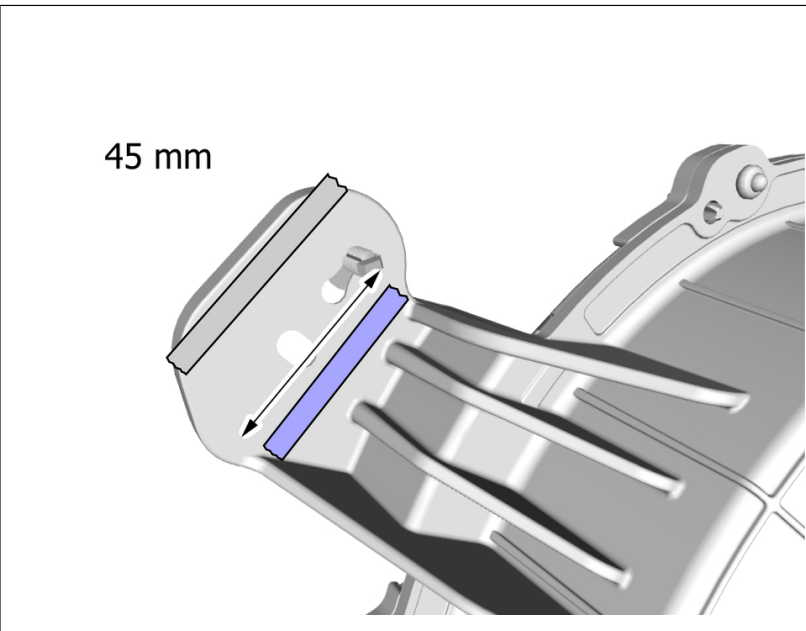
M6 , 10 Nm



Note! Fold the marked component properly around the edge.

Apply tape.

Use: Tape , 31424536



Apply tape.

Use: Tape , 31424536

Installation

Reinstall the removed parts in reverse order.