

Field campaign

Topic	Incorrect Spec Puddle Lamps Fitted Bentayga Series 25MY (SC25/27)
Market area	Bentley: worldwide (2WBE),China 796 VW Import Comp. Ltd (Vico), Beijing (6796)
Brand	Bentley
Transaction No.	2078053/2
Campaign number	ED50
Note	
Type	
US code	

Vehicle data

Bentayga Series 25 Model Year

Sales types

Type	MY	Brand	Designation	Engine code	Gearbox code	Final drive code
ZV1*	2025	E		*	*	*
4V1*	2025	E		*	*	*

Documents

Document name
master.xml
ed50vinlistv2.pdf

Notes



Technical background

The vehicles in the attached VIN list have been manufactured with the incorrect specification of puddle lamp fitted to all doors – it is therefore necessary to fit the correct specification part to these vehicles.

The specific vehicles should have been fitted with 'Animated Movie' lamps. However, 'Standard Wings' lamps were fitted instead (Figure 1).



Figure 1 Not OK and OK condition of the puddle lamps

Remedy

Replace the fitted puddle lamp to the correct specification for each door. Please refer to the Work section and conduct all instructions to completion

Customer notification

Customers do not need to be informed directly of this campaign.

Ensure all affected vehicles are repaired during the Pre Delivery Inspection (PDI)

Or

In the event that vehicles have been handed over to the customer please note that customer notification is not required, in this scenario please ensure the work is conducted at the nearest opportunity

Warranty

Claim Type: 790 or 710

Service Number: ED50

Damage Code: 00 66

Labour

Front puddle lamps replace / Front door trims remove + install

Labour Operation Code: 70 59 20 00

Time: 40 TU

Rear puddle lamps replace / Rear door trim remove + install

Labour Operation Code: 70 73 20 00

Time: 40 TU

Road Test

Labour Operation Code: 01 21 00 01

Time: 30 TU

Parts

Part Number	Description	Quantity
RH40254	Puddle Lamp Kit	1 Kit

Parts supply

NOTICE

Parts will only be supplied upon receipt of a valid DISS ticket. Authorization and part issuance will follow after ticket approval. The VIN & DISS ticket number must be referenced when entering the order into the parts system.

Parts despatch control

NOTICE

Parts will only be dispatched and controlled through DISS.

Repair instructions



Technical background

The vehicles in the attached VIN list have been manufactured with the incorrect specification of puddle lamp fitted to all doors – it is therefore necessary to fit the correct specification part to these vehicles.

The specific vehicles should have been fitted with 'Animated Movie' lamps. However, 'Standard Wings' lamps were fitted instead (Figure 1).



Figure 1 Not OK and OK condition of the puddle lamps

Check

If the vehicle is not already listed as repaired in the 'Repair history' section of ElsaPro, check the 'Identification' section of this document and presence of the animated puddle lamp.

In the event that the campaign has not been applied, please carry out the required work in accordance with these instructions.

Parts

Part Number	Description	Quantity
RH40254	Puddle Lamp Kit	1 Kit

Work

Preliminary Actions

- Open the door.
- Confirm that the 'Animated Movie' lamps are not active, See figure 1.
- Raise a Technical DISS and wait for approval and release of the correct specification parts.

Puddle lamp replacement instructions

Once the correct specification of parts are received, replace the puddle lamps.

- **For removing the front puddle lamps**, refer to ElsaPro Repair Group.70 'Front door trim panel – To dismantle and assemble, and refer to the puddle lamp removal section.
- **For removing the rear puddle lamps**, refer to ElsaPro Repair Group.70 'Rear door trim panel – To dismantle and assemble and refer to the puddle lamp removal section.

NOTE: The following is based on the rear door, the procedure is identical for the front door, with the right hand and left hand side being symmetrically opposite.

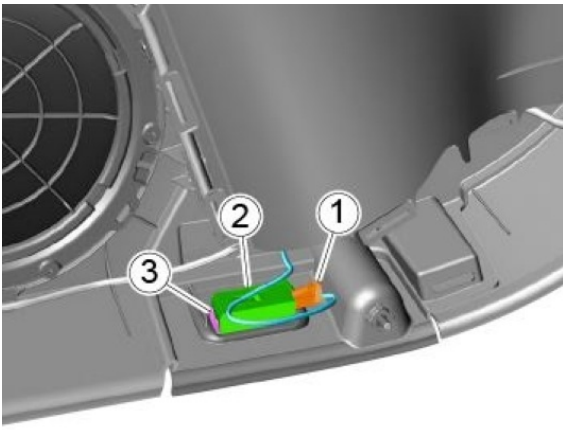


Figure 2 *Puddle lamp*

Removal

- 1) Disconnect the electrical connection (1) from the lamp (2).
- 2) Gently push down on the front edge of the lamp (3) to release it from the door trim.

Installation

Installation is the reverse of the removal procedure, noting the following:

- After refitting the lamp, 'pull-to-check' that it is fitted securely.

Completion Actions

- Refit the front/rear door trim, refer to ElsaPro repair group 70.
- Open the door.
- Confirm the 'Animated Movie' lamps projection is active.
- Perform a road test and check no rattles or creaks are present.

Identification

Fitment of the correct specification puddle lamp with the animated ground projection showing as per Figure 4 confirms campaign completion

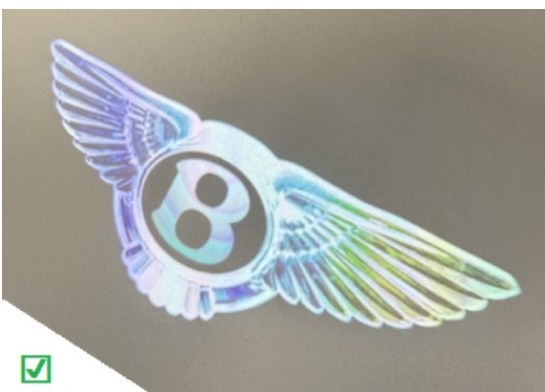


Figure 3 *OK Condition of puddle lamp projection (Animated movie specification)*

SJAAB14VXSC029616	SJAHB14V9SC029914	SJAAB14V7SC030139
SJAHB14V3SC029634	SJAAT2ZV8SC029920	SJAAB14V8SC030151
SJAHT2ZV4SC029640	SJAAA14V6SC029924	SJAAT14V8SC030146
SJAAT2ZV4SC029669	SJAHU14V8SC029932	SJAAA14V5SC030157
SJAHB14V9SC029671	SJAAT2ZV5SC029938	SJAHU1ZV1SC030154
SJAAA14V4SC029677	SJAAT2ZV4SC029946	SJAHT14V7SC030170
SJAAT2ZV0SC029684	SJAAT14V2SC029963	SJAAT2ZV1SC030178
SJAHB14V7SC029698	SJAAB14V6SC029970	SJAAB14V6SC030181
SJAAB14VXSC029728	SJAHP14V7SC029976	SJAHT2ZV4SC030187
SJAHT14V2SC029735	SJAAB14V1SC029973	SJAAT14V3SC030202
SJAHB14V5SC029800	SJAAB14V0SC029981	SJAAB14V6SC030200
SJAHB14V3SC029780	SJAAB14V8SC029985	SJAHT2ZVXSC030470
SJAAB14V1SC029794	SJAHP14V5SC029989	SJAAT14V5SC030217
SJAHB14V3SC029813	SJAAB14V6SC030004	SJAAT2ZV9SC030266
SJAHB14V7SC029829	SJAHT2ZV2SC030009	SJAHU14VXSC030287
SJAAT2ZV2SC029833	SJAHT14V2SC030030	SJAAT2ZV1SC030276
SJAHB14VXSC029839	SJAAA14V3SC030044	SJAAB14V8SC030280
SJAAB14V9SC029851	SJAAB14V0SC030032	SJAAB14V5SC030298
SJAAB14V7SC029850	SJAAT14V9SC030043	SJAAB14V8SC030313
SJAAA14V0SC029854	SJAAB14V2SC030064	SJAAE14V3TC029739
SJAHP14V8SC029856	SJAAT2ZV3SC030067	SJAAB14V7SC030352
SJAHU14V2SC029862	SJAAB14V1SC030086	SJAAB14V2SC030355
SJAAT2ZV5SC029891	SJAHT2ZV2SC030088	SJAHB14V5SC030364
SJAAT2ZV8SC029884	SJAAT2ZV0SC030091	SJAAT14V3SC030359
SJAAB14V6SC029886	SJAHB14V4SC030095	SJAAB14V9SC030384
SJAHT2ZV0SC029912	SJAAT14V9SC030107	SJAAB14V3SC030395
SJAAT2ZV9SC029909	SJAAB14V7SC030111	SJAAU14V8SC030404
SJAHT2ZV7SC029910	SJAHU1ZV7SC030403	SJAAA14V4SC030697
SJAAT14V3SC030121	SJAHT2ZV7SC030409	SJAAT2ZV5SC030720
SJAAT2ZVXSC030115	SJAAE14V5TC029743	SJAHT2ZV8SC030760
SJAHB14V6SC030227	SJAAF2ZV8TC029747	SJAHT2ZV1SC029644

SJAAE14V0TC029746	SJAHB14V9SC030660
SJAAF2ZV3TC029753	SJAHB14V5SC030672
SJAAF2ZV2TC029744	SJAHT2ZV3SC030682
SJAAF2ZVXTC029751	SJAAT14V6SC030694
SJAAF2ZVXTC029748	SJAHT14V7SC030699
SJAHT2ZV2SC030415	
SJAAT2ZV8SC030467	
SJAAT14V1SC030439	
SJAHB14V1SC030443	
SJAAB14V9SC030451	
SJAAB14VXSC030460	
SJAHB14VXSC030473	
SJAHT2ZV8SC030550	
SJAAG1ZV5TC029759	
SJAAF2ZV0TC029757	
SJAAF2ZV7TC029755	
SJAAF2ZV8TC029764	
SJAAF2ZV8TC029750	
SJAHT14V9SC030493	
SJAAB14V8SC030506	
SJAHT14V7SC030542	
SJAAF2ZV9TC029756	
SJAAF2ZV5TC029768	
SJAAB14V8SC030554	
SJAHB14V9SC030559	
SJAAT14V9SC030561	
SJAHT2ZV0SC030557	
SJAAB14V1SC030587	
SJAHT14V0SC030611	
SJAAT2ZV0SC030625	
SJAHT2ZV4SC030657	