

# New Grille Design

# TSB-88-048-FTL

Creation Date: 2018-05-17  
Last Revision Date: 2025-06-24

## Engine or Vehicle Affected:

► Business Class M2

**Description of Revisions:** This bulletin replaces the version dated 2018-05-17. The parts table and the title have been revised.

This is an informational bulletin only. The described condition is a product improvement and is not warrantable.

### Described Condition

A new design for the grille went into production on February 5, 2018. The hood design has also changed slightly to accommodate a different grille fastening strategy. The old grille and hood part numbers will no longer be produced, and will supersede to the new design with new part numbers.

### Grille Replacement

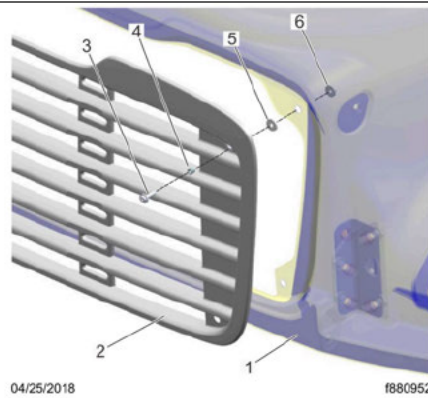
✦ **Note:** The new grille surround design can be used with the old hoods.

To replace a grille on a hood from a vehicle built prior to February 5, 2018, the additional fasteners shown in Table [1](#) must be used. See Fig. [1](#) and Fig. [2](#).

Table 1, Additional Parts for Grille Replacement

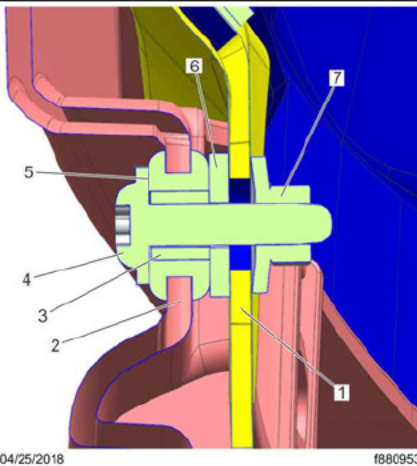
Part Number	Description	Qty.
23-10900-227	Washer, Stainless Steel	4
23-13865-006	Nut/Conical Washer Assy.	4
23-13384-020	Screw, M6	4
23-14223-009	Compression Limiter	4

Table 1, Additional Parts for Grille Replacement



- |                             |  |
|-----------------------------|--|
| 1. Hood                     | 4. Compression Limiter (23-14223-009)      |
| 2. Grille                   | 5. Washer (23-10900-227)                   |
| 3. Screw, M6 (23-13384-020) | 6. Nut/Conical Washer Assy. (23-13865-006) |

Fig. 1, Grille Installation



- |                                       |  |
|---------------------------------------|--|
| 1. Hood                               | 5. Grommet                                 |
| 2. Grille                             | 6. Washer (23-10900-227)                   |
| 3. Compression Limiter (23-14223-009) | 7. Nut/Conical Washer Assy. (23-13865-006) |
| 4. Screw, M6 (23-13384-020)           |  |

Fig. 2, Grille Fasteners

1.  Park the vehicle on a level surface, shut down the engine, and set the parking brake. Chock the tires.
2.  Remove the four screws that attach the grille to the hood, and discard them.
3.  Remove the isolated nuts from the hood, and discard them.
4.  Install the new grille, with the new washers between the grille and the hood, then attach it to the hood with the new screws and nut/conical washer assemblies. Tighten the nuts 60 to 84 lbf-in (680 to 950 N·cm).

**Hood Replacement**

The old grille does not fit on the new hood design. If the old hood design is not available, a new grille is required when replacing a hood on a vehicle built prior to February 5, 2018.

**Warranty**

This is an informational bulletin only. The described condition is a product improvement and is not warrantable.

Note:

002-001-001

F07

F18

REPLACE

REMOVE

INSTALL

Document Number: 0000137427

Topic Publication Date: 2025-06-24