



Maserati

PERSONAL SERVICE LAB

MASTERS OF CARE

Grecale Center Console Parts Repairability

DATE: JUNE 11, 2025

This bulletin provides updated information regarding the serviceability of the center tunnel door and trim components on Grecale vehicles.

Previously, if there was an issue with the center console compartment doors, the complete assembly had to be replaced. It is now possible to replace individual components instead of the entire unit.

Models Affected: M182 Grecale (All Model Years).

Concern

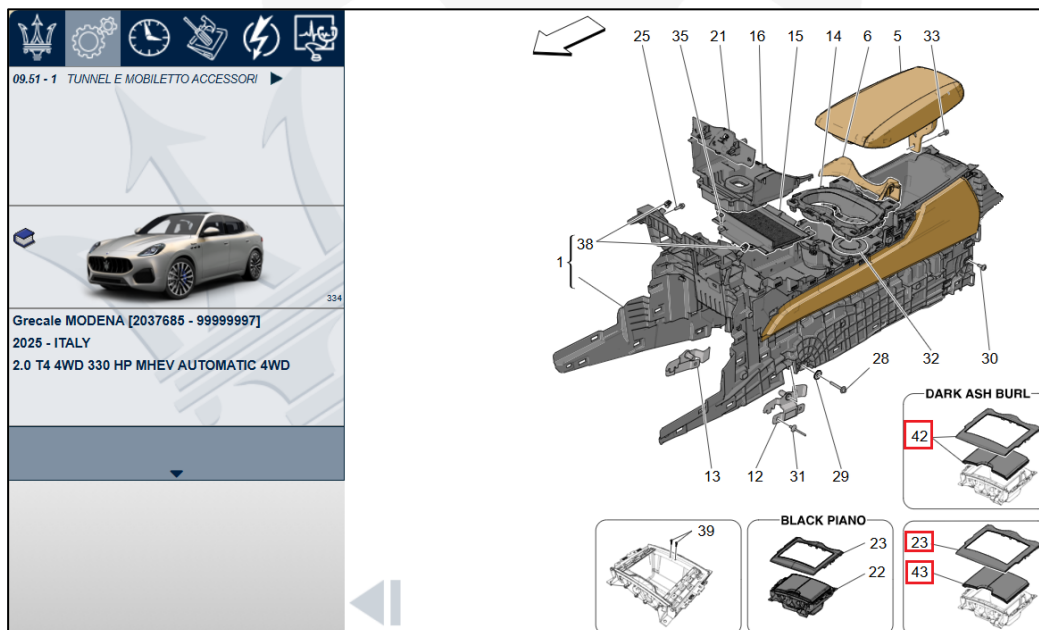
In certain cases, the storage compartment doors located in the center tunnel may not open or close properly due to a mechanical issue with the door mechanism.

Available Components

The following individual components can now be ordered from the Spare Parts Catalogue (Section #09.51-1):

- Component #23: Top Cabinet Flap
- Component #43: Glove Compartment Lids Trim Kit
- Component #42: Glove Compartment Lids Kit with Frame

⚠ Part Numbers (P/Ns) depend on vehicle configuration and are not listed here. Please refer to the latest Technical Documentation or contact the Maserati Helpdesk for part-specific information.



Workshop Repair Instructions

Component	Description	Reference Code	Labor Time
#23	Upper Trim Plate on Front Center Console	09.51.094	0.05 hr
#43	Glove Compartment Lids Trim Plates	09.51.151	0.10 hr
#42	Glove Compartment Lids Trim Plates (with frame)	09.51.151	0.10 hr

Special Tools

No special tools are required to perform these repairs.

Need Assistance?

For additional support, contact the Maserati Technical Helpdesk.

Best regards,
 Technical Service Operations – Maserati