



Service Bulletin

Bulletin No.: 21-NA-240

Date: April, 2025

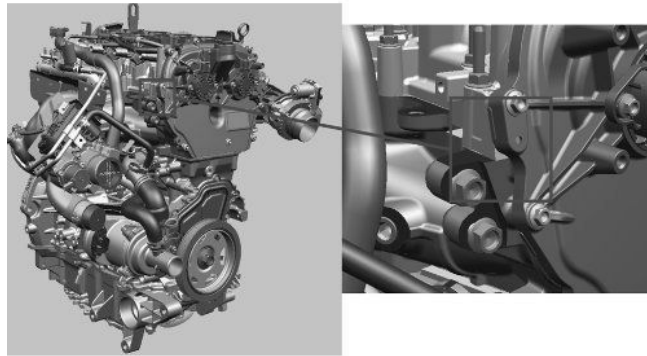
INFORMATION

Subject: Information on LSY Engine Oil Leaks

This Service Bulletin replaces PIP5755. Please discard PIP5755.

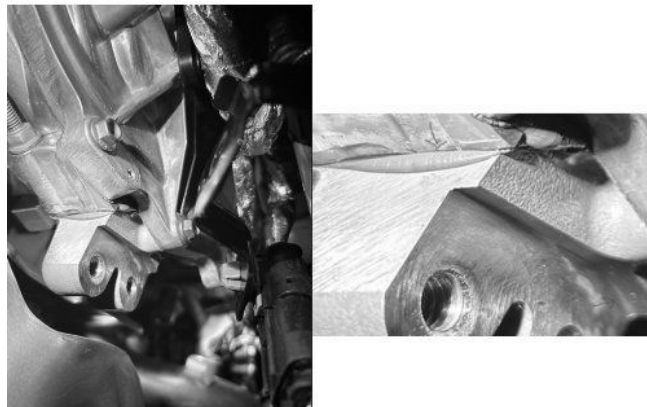
Brand:	Model:	Model Year:		VIN:		Engine:	Transmission :
		from	to	from	to		
Cadillac	CT4	2020	2024	—	—	2.0L Turbo (LSY)	—
	CT5						
	CT6	2019	2019				
	XT4		2024				
	XT5						
	XT6						
Chevrolet	Blazer	2020	2024				
GMC	Acadia	2020	2023				

Involved Region or Country	North America, Chile, Colombia, Ecuador, Peru, Europe, Russia, Middle East, Israel, Palestine, Japan, Cadillac Korea (South Korea)
Condition	Some customers may comment on an oil leak coming from the engine.
Cause	This condition may be caused by an improper amount of sealant used to seal the cam carrier gasket.
Information	<p>If you encounter a vehicle that is experiencing an engine oil leak, proceed with the following:</p> <ol style="list-style-type: none"> 1. Remove all residual oil from the front of the engine, add oil dye and trace powder, and allow the engine to run until a leak is observed. <p>Note: This oil leak could look like it is coming from the camshaft carrier, engine front cover, lower oil pan, or timing chain upper cover.</p> <ol style="list-style-type: none"> 2. Once a leak has been observed, inspect the front of the engine cam carrier T-joint area for potential source of the oil leak. Spray trace powder can be used to highlight the area in question and assist with isolating the oil leak path. <p>⇒ If the oil leak has been isolated to the cam carrier T-joint area, refer to <i>Camshaft Carrier Replacement</i> in SI for resealing the cam carrier assembly.</p> <p>⇒ If the oil leak has not been isolated to the cam carrier T-joint area, continue with engine oil leak diagnosis and repair the source of the leak.</p>



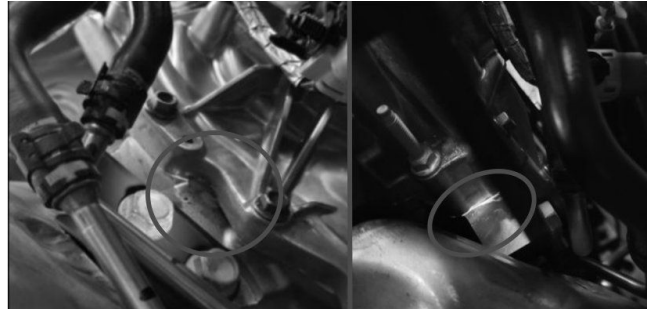
The graphic above shows the cam carrier T-joint location and where the leak may be potentially coming from.

6816616



The graphic above shows the cam carrier T-joint slowly leaking from the adhesive joint.

6816617



The graphic above shows the cam carrier T-joint area using a black light to highlight the oil dye. 5911107

Important: Service agents must comply with all International, Federal, State, Provincial, and/or Local laws applicable to the activities it performs under this bulletin, including but not limited to handling, deploying, preparing, classifying, packaging, marking, labeling, and shipping dangerous goods. In the event of a conflict between the procedures set forth in this bulletin and the laws that apply to your dealership, you must follow those applicable laws.

Version	4
Modified	Released October 21, 2021 Revised December 05, 2024 - Added 2023-2024 Model Years and Added Warranty Information section. Revised January 17, 2025 – Changed the Subject, Model Years range, updated the Information section, and removed the Warranty Information. Revised April 22, 2025 – Removed the 2025 Model Year and updated Model Years for CT6 and Acadia.