



TECHNICAL SERVICE BULLETIN

Illuminated MIL With Intermittent No Reverse Or Harsh Reverse

25-2127

06 June 2025

Model:

Ford 2023-2024 Maverick	8F35 Transmission
2023-2024 Bronco Sport	8F35 Transmission

Markets: North American markets only**Issue:** Some of the vehicles listed in the Model statement above may exhibit at least one of the following conditions:

- Intermittent or constant no R engagement
- Illuminated MIL with DTC P0767:00 stored in the PCM

In addition to the required conditions, the vehicle may also exhibit a harsh reverse engagement, DTCs P0766:00, and/or P2703:00. This may be due to an internal mechanical concern with the SOWC.

Action: For vehicles that meet all of the criteria in the Issue and Model statements, follow the Service Procedure to replace the SOWC.

Parts

Service Part Number	Claim Quantity	Package Order Quantity	Number in Package	Description
JM5Z-7P030-C	1	1	1	Selectable One-Way Clutch
JM5Z-7N265-E	2	2	1	Small Clutch Feed Seal
JM5Z-7N265-G	3	3	1	Large Clutch Feed Seal
JM5Z-7N142-A	1	1	1	Back O-Ring Seal
JM5Z-7N142-D	1	1	1	Front O-Ring Seal
JM5Z-1S177-A	2 (2 Required for 2WD, 1 Required For AWD)	2 (2 Required for 2WD, 1 Required For AWD)	1	Axle Seal

JM5Z-7A248-E	1	1	1	Torque Converter Hub Seal
JM5Z-7Z490-D	1	1	1	Upper Separator Plate Gasket
JM5Z-7Z490-B	1	1	1	Lower Separator Plate Gasket
W718843-S439	1	1	4	Steering Shaft Bolt
W716603-S442	4	1	4	Front Cross-member Bolts
W500727-S439	3	1	4	Rear Lower Left Side Frame Bolt (75mm)
W500725-S439	3	1	4	Rear Lower Right Side Frame Bolt (65mm)
W721130-S439	4	1	4	Front Lower Frame Bolt
W520203-S440	2	2	1	Tie Rod Nut
W712503-S440	2	2	1	Lower Sway Bar Nut
W719924-S439	2	1	4	Bronco Sport Ball Joint Bolt
W721614-S439	2	1	4	Maverick Ball Joint Bolt
W520515-S442	2	1	4	Ball Joint Nut
W500566-S439	1	1	4	Roll Restrictor Bolt
W713199-S442	4	1	4	Rear Frame Bracket Bolt
W720388-S439	2	1	4	Rear Sub-Frame Bolt
W719192-S439	2	1	4	Upper Sub-Frame Bolt
JX6Z-3D677-C	1	1	1	Steering Shaft Seal
CCPZ-3B477-G	2	2	1	Half Shaft Retaining Nut

W520102-S442	2	1	4	Half Shaft Retainer Strap Nut (Maverick Only)
YS4Z-3N324-AA	1	1	1	Half Shaft Retainer Strap (Maverick Only)
W714265-S442	3	1	4	Exhaust Nut
KX6Z-6L612-A	1	1	1	Exhaust Gasket
PZ1Z-5A215-B	1	1	1	Upper Exhaust Clamp (Bronco Sport Only)
JX6Z-5A215-C	1	1	1	Lower Exhaust Clamp (Bronco Sport Only)
LX6Z-5A215-A	1	1	1	Exhaust Clamp (Maverick Only)
W715618-S437	4	1	4	Torque Converter Nut
W720206-S439	3	1	4	Transmission Mount Bolt (Bronco Sport Only)
W719151-S439	1	1	4	Transmission Mount Stud Bolt
JM5Z-7G007-A	6	6	1	Valve Body Solenoid Mounting Plate
W712658-S439	2	1	4	Solenoid Mounting Bolt
W520103-S442	2	1	4	Exhaust Bracket Nut (Bronco Sport Only)
W709601-S442	2	2	1	Exhaust Bracket Bolt
W500545-S901	3	1	4	Lower Mount Bolt (Bronco Sport Only)
W712449-S439	1	1	1	Lower Mount Bolt (Maverick Only)
XL-5-A	As Needed	As Needed	1	Motorcraft® Multi-Purpose Grease Spray
XG-3-A	As Needed	As Needed	1	Motorcraft® Silicone Brake Caliper Grease and Dielectric Compound
PM-4-A	As Needed	As Needed	1	Motorcraft® Metal Brake Parts Cleaner (Compliant With Low Volatile Organic Compound Requirements As Required In Some USA States) (All Markets Except Canada)

PM-4-B	As Needed	As Needed	1	Motorcraft® Metal Brake Parts Cleaner (Not Compliant With Low Volatile Organic Compound Requirements) (All Markets Except Canada)
CPM-4-A	As Needed	As Needed	1	Motorcraft® Brake Parts Cleaner (Compliant With Low Volatile Organic Compound Requirements As Required For Use In Canada Only)
XL-2	As Needed	As Needed	1	Motorcraft® High Temperature Nickel Anti-Seize Lubricant
VC-13-G	As Needed	As Needed	1	Motorcraft® Yellow Concentrated Antifreeze/Coolant (All Markets Except Canada)
CVC-13-G	As Needed	As Needed	1	Motorcraft® Yellow Concentrated Antifreeze/Coolant (Canada Only)
XT-12-QULV	As Needed	As Needed	1	Motorcraft® MERCON® ULV Automatic Transmission Fluid
TA-29	As Needed	As Needed	1	Motorcraft® Ultra Silicone Sealant

Parts - AWD Only Parts

Service Part Number	Claim Quantity	Package Order Quantity	Number in Package	Description	Note
JM5Z-7H260-A	1	1	1	Axle Seal - All Wheel Drive (AWD) Only	
NZ6Z- 3B498-A	1	1	1	Half Shaft Cir-Clip	
K2GZ-7275-B	1	1	1	PTU Repair Kit	Contains Right Axle Cir-Clip And O-Ring
W719767-S439	2	1	4	Intermediate Shaft Bolt	
K2GZ-7086-A	1	1	1	Large Intermediate Shaft Seal	
W719766-S439	5	2	4	PTU Bolt	
K2GZ-7H469-D	1	1	1	PTU Actuator Seal Kit	
LX6Z-4B496-A	3	1	1	Driveshaft Bolt	
XY-75W85-QL	As Needed	As Needed	1	Motorcraft® SAE 75W-85 Premium Synthetic Hypoid Gear Lubricant	

Parts - Parts To Inspect And Replace Only If Necessary

Service Part Number	Claim Quantity	Package Order Quantity	Number in Package	Description
K2GZ-6758-H	Only If Necessary (Up To 1)	Only If Necessary (Up To 1)	1	Engine Vapor Tube
M1PZ-16038-A	Only If Necessary (Up To 1)	Only If Necessary (Up To 1)	1	Bronco Sport Right Fender Moulding
M1PZ-16039-A	Only If Necessary (Up To 1)	Only If Necessary (Up To 1)	1	Bronco Sport Left Fender Moulding
W717959-S300	Only If Necessary (Up To 2)	Only If Necessary (Up To 1)	4	Transmission Mounting Dowel Pin (1.5L Engine)
W701350-S900	Only If Necessary (Up To 2)	Only If Necessary (Up To 2)	1	Transmission Mounting Dowel Pin (2.0L Engine)
W712458-S900	Only If Necessary (Up To 2)	Only If Necessary (Up To 1)	4	Exhaust Stud

Service part numbers and "number in package" quantity may change after publication, thus also affecting the "package order quantity". Refer to the parts catalog for the latest information.

Claim Quantity refers to the total number of individual pieces required to repair the vehicle.

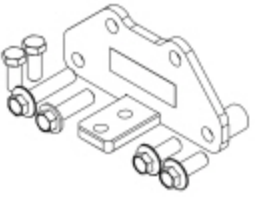
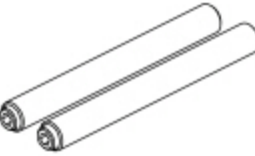
Package Order Quantity refers to the amount of the service part number package(s) required to repair the vehicle.

Number In Package refers to the number of individual pieces included in a service part number package.

As Needed indicates the part is necessary but amount of the part may vary and/or is not a whole number. Parts can be billed out as non-whole numbers, including less than 1.

Only If Necessary indicates the part is not mandatory. Refer to the Service Procedure to determine the inspection/inclusion criteria.

Special Tool(s)

 <p>E274940</p>	<p>Fixture, Bench Mount. 307-769 Holding Fixture, Transmission. 307-003 (T57L-500-B)</p>
 <p>E142010</p>	<p>Handle, Torque Converter 307-091</p>

Warranty Status: Eligible under provisions of New Vehicle Limited Warranty (NVLW)/Service Part Warranty (SPW)/Service Part New Vehicle (SPNV)/Extended Service Plan (ESP) coverage. Limits/policies/prior approvals are not altered by a TSB. NVLW/SPW/SPNV/ESP coverage limits are determined by the identified causal part and verified using the OASIS part coverage tool.

Labor Times

Description	Operation No.	Time
2023-2024 Maverick FWD 2.0L: Retrieve DTCs Replace The SOWC And Overhaul The Main Control Valve Body (Can Be Claimed With E) (Do Not Use With Any Operations Outside Of This Article)	252127A	14.2 Hrs.
2023-2024 Maverick AWD 2.0L: Retrieve DTCs Replace The SOWC And Overhaul The Main Control Valve Body (Can Be Claimed With E) (Do Not Use With Any Operations Outside Of This Article)	252127B	16.3 Hrs.

2023-2024 Bronco Sport 1.5L: Retrieve DTCs Replace The SOWC And Overhaul The Main Control Valve Body(Can Be Claimed With E, F And G) (Do Not Use With Any Operations Outside Of This Article)	252127C	14.2 Hrs.
2023-2024 Bronco Sport 2.0L: Retrieve DTCs Replace The SOWC And Overhaul The Main Control Valve Body (Can Be Claimed With E, F And G) (Do Not Use With Any Operations Outside Of This Article)	252127D	18.0 Hrs.
2023-2024 Bronco Sport, Maverick: Additional Time To Check And Correct Toe (Can Be Claimed With A, B, C Or D)	252127E	0.8 Hrs.
2023-2024 Bronco Sport: Additional Time To Align Parking Aid Camera If Equipped (Can Be Claimed With C Or D)	252127F	0.5 Hrs.
2023-2024 Bronco Sport: Additional Time If Equipped With PTU Cooler (Can Be Claimed With C Or D)	252127G	0.2 Hrs.

Repair/Claim Coding

Causal Part:	7P030
Condition Code:	69

Service Procedure

1. Remove the transmission. Refer to WSM, Section 307-01.
2. Using the special tool, secure the transmission to the bench mounted fixture.
 - Use Special Service Tools: 307-769 Fixture, Bench Mount. 307-003 (T57L-500-B) Holding Fixture, Transmission.
3. Using the special tools, remove the torque converter.
 - Special Service Tool: 307-091 Handle, Torque Converter
4. Remove the main control valve body. Refer to WSM, Section 307-01.
5. Disassemble the transmission only far enough to access the SOWC. Refer to WSM, Section 307-01 > Overhaul and perform Steps 34-66.
6. Remove and discard the SOWC.
7. Install the new SOWC and reverse the procedure to reassemble the transmission.
8. Overhaul the main control valve body. Refer to WSM, Section 307-01 Main Control Overhaul.
9. Reinstall the main control valve body. Refer to WSM, Section 307-01.
10. Reinstall the transmission. Refer to WSM, Section 307-01.
11. Refill the transmission to the correct fluid level. Refer to WSM, Section 307-01.
12. Clear all DTCs.

© 2025 Ford Motor Company
All rights reserved.

NOTE: The information in Technical Service Bulletins is intended for use by trained, professional technicians with the knowledge, tools, and equipment to do the job properly and safely. It informs these technicians of conditions that may occur on some vehicles, or provides information that could assist in proper vehicle service. The procedures should not be performed by "do-it-

yourselfers". Do not assume that a condition described affects your car or truck. Contact a Ford or Lincoln dealership to determine whether the Bulletin applies to your vehicle. Warranty Policy and Extended Service Plan documentation determine Warranty and/or Extended Service Plan coverage unless stated otherwise in the TSB article. The information in this Technical Service Bulletin (TSB) was current at the time of printing. Ford Motor Company reserves the right to supersede this information with updates. The most recent information is available through Ford Motor Company's on-line technical resources.