

Bulletin #: AS-40-25		<input type="checkbox"/> Take Note <input checked="" type="checkbox"/> Take Action	
<input type="checkbox"/> Retail Operator	<input type="checkbox"/> Sales Pre-Owned	<input checked="" type="checkbox"/> Business Manager	<input checked="" type="checkbox"/> Parts & Accessories
<input checked="" type="checkbox"/> General Manager	<input type="checkbox"/> Sales New Bike	<input checked="" type="checkbox"/> Service	<input type="checkbox"/> Administration
Name:		Phone Number:	
Title:		Source: Parts Logistics	
Email:			
Date: 5/22/2025		Supersedes: -	

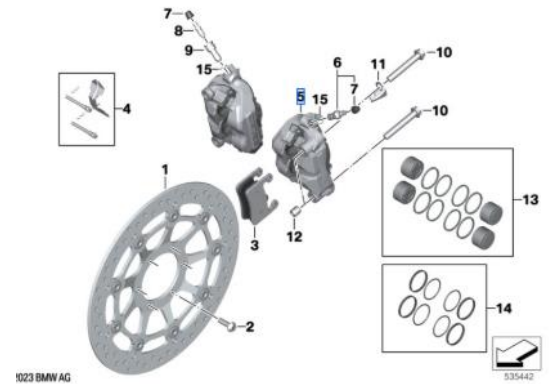
# TEC764 BRAKE CALIPERS

## INSPECT OF ALL PARTS ON STOCK

### OVERVIEW

BMW AG has requested the inspection of all dealer stock of the part numbers listed below to ensure all of the old parts in stock are returned.

Description	Old Part Number	New Part Number
Brake caliper, left (black)	34 11 7 106 085	34 11 8 875 121
Caliper right (black)	34 11 7 106 086	34 11 8 875 122
Caliper right (M, blue)	34 11 7 106 088	34 11 8 875 126
Brake caliper, left (M, blue)	34 11 1 542 305	34 11 8 883 317
Caliper right (M, blue)	34 11 1 542 306	34 11 8 883 318
Brake caliper, left (black)	34 11 7 105 637	34 11 8 883 315
Caliper right (black)	34 11 7 105 638	34 11 8 883 316
Set, brake piston with seal (M)	34 11 1 542 309	34 11 8 875 118



- The image to the right shows the parts as depicted in ETK. Please see under "MORE DETAILS" section for information to determine affected stock to be returned.
- Affected stock must not be sold or installed on any motorcycle.
- Affected is all stock of new spare parts shipped and delivered to date only.
- Please return all incorrect part(s) to your facing Regional Distribution Center (RDC). Submit for return using a YR26 damage claim with order reason BM2. A valid BMW delivery and delivery item number must be entered, and

### MAKE LIFE A RIDE



**BMW  
MOTORRAD**

'TEC764' must appear in the text of your TEC claim. For assistance locating the delivery number, please open an IDS ticket with Dealer Services in the Claims section directed to Returns/Claims/Quality.

## MORE DETAILS

- TEC764 is valid from May 22, 2025, through June 12, 2025. The deadline for filing a claim under TEC764 is June 12, 2025.
- All parts must be returned to your facing RDC no later than June 26, 2025.
- Please re-order as needed.

Affected Parts (NOT OK)	Non Affected Parts (OK)
<p><b>All parts on stock</b></p> <p>7106085</p> <p>7106086</p> <p>7106088</p> <p>1542305</p> <p>1542306</p> <p>7105637</p> <p>7105638</p> <p>1542309</p>	<p><b>New</b></p> <p>8875121</p> <p>8875122</p> <p>8875126</p> <p>8883317</p> <p>8883318</p> <p>8883315</p> <p>8883316</p> <p>8875118</p>

## MORE QUESTIONS?

Aftersales Business Development Manager		
Material Planning and Parts Logistics Analyst		

**MAKE LIFE A RIDE**