



STAR ONLINE PUBLICATION

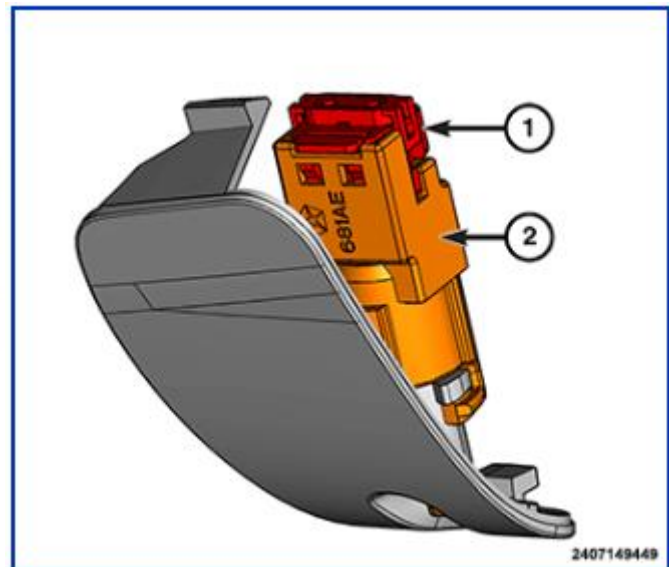
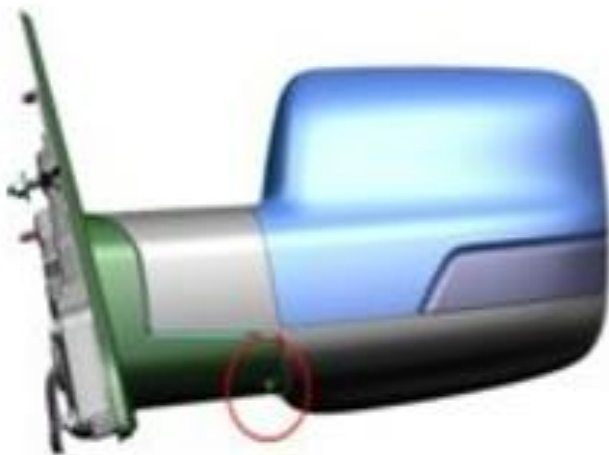


Case Number: S2523000044

Release Date: May 2025

Symptom/Vehicle Issue: Whistling Noise From Left Side Exterior Mirror Area While Driving.

Discussion: Inspect the left side exterior mirror for a missing or loose ambient temperature sensor door located on the bottom of the mirror. As air travels over and around the door mirror a whistle noise could result if the ambient temp sensor access door is not fully seated, damaged, or missing. Refer to Service Library 24 - Heating and Air Conditioning / Controls / SENSOR, Ambient Temperature / Removal and Installation.



This document does not authorize warranty repairs. This communication documents a record of past experiences. STAR Online does not provide any conclusions about what is wrong with the vehicle. Rather, it captures all previous cases known that appear to be similar or related to the vehicle symptom / condition. You are the expert, and you are responsible for deciding on the appropriate course of action.

Contact STAR Center, or your Technical Assistance Center Via TechConnect, eCONTACT or Service Library entry if no solution is found.



STAR ONLINE PUBLICATION



This document does not authorize warranty repairs. This communication documents a record of past experiences. STAR Online does not provide any conclusions about what is wrong with the vehicle. Rather, it captures all previous cases known that appear to be similar or related to the vehicle symptom / condition. You are the expert, and you are responsible for deciding on the appropriate course of action.

Contact STAR Center, or your Technical Assistance Center Via TechConnect, eCONTACT or Service Library entry if no solution is found.