



INSTRUCTION TO SERVICE

| ITS-61322 | | April 25, 2025 |
|-----------------|--|----------------|
| SECTION: | 260-BATTERY COMPARTMENT | |
| SUBJECT: | Replace BTMS coolant filter and filter head. | |
| ISSUE: | Filter head can be damaged due to thread galling. | |
| SUMMARY: | Performing this procedure will address the thread galling issue. | |

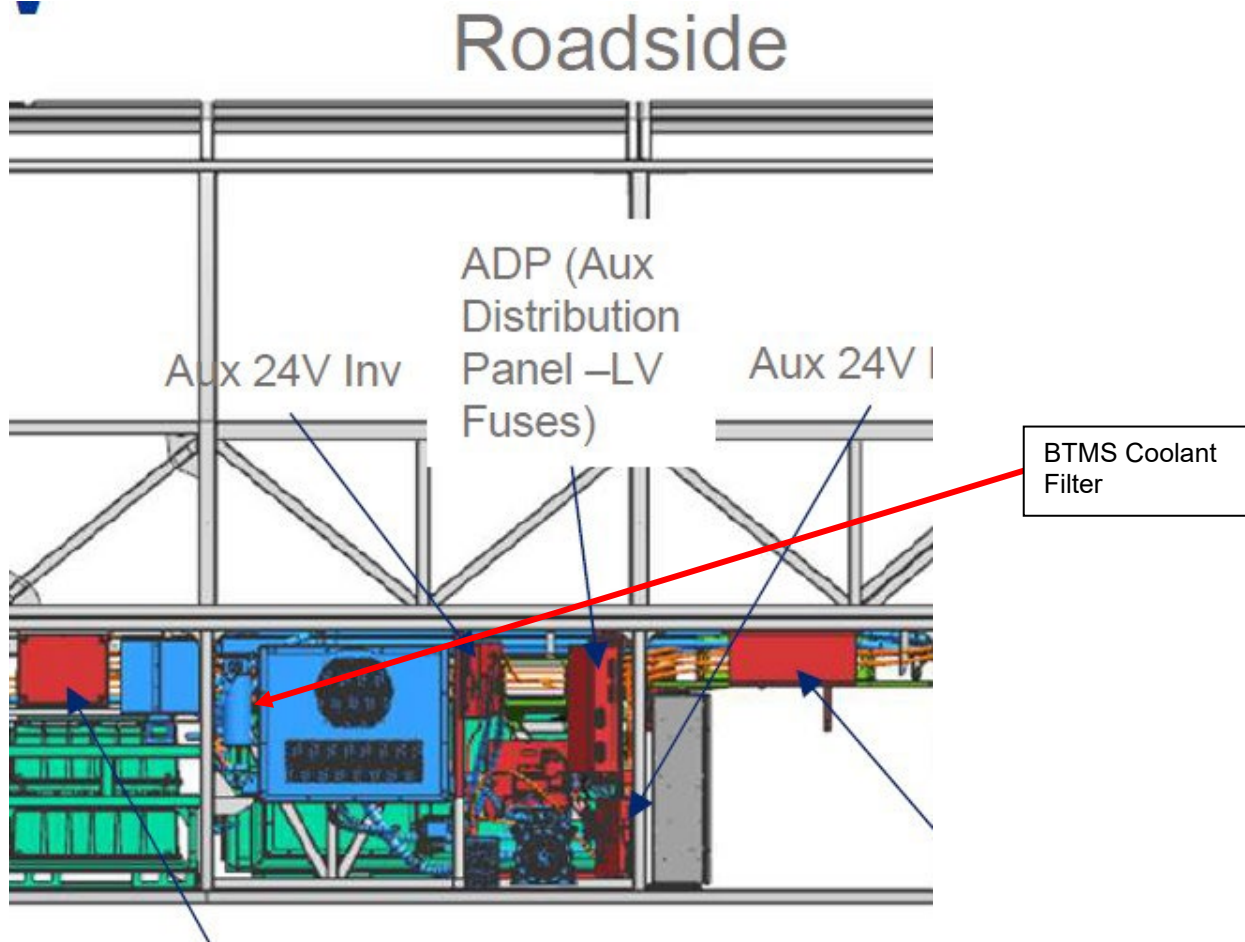
ITS-61322

| Ref. NHTSA Recall No. | Ref. Transport Canada Recall No. |
|-----------------------|----------------------------------|
| Not Applicable | Not Applicable |

THIS ITS DOCUMENT SHOULD BE RETAINED AND REFERRED TO FOR FUTURE MAINTENANCE UNTIL THE PARTS AND/OR SERVICE MANUAL IS UPDATED TO REFLECT WORK DONE AS A RESULT OF THIS DOCUMENT. ENSURE THAT THIS DOCUMENT IS AVAILABLE FOR PARTS AND MAINTENANCE STAFF GOING FORWARD.

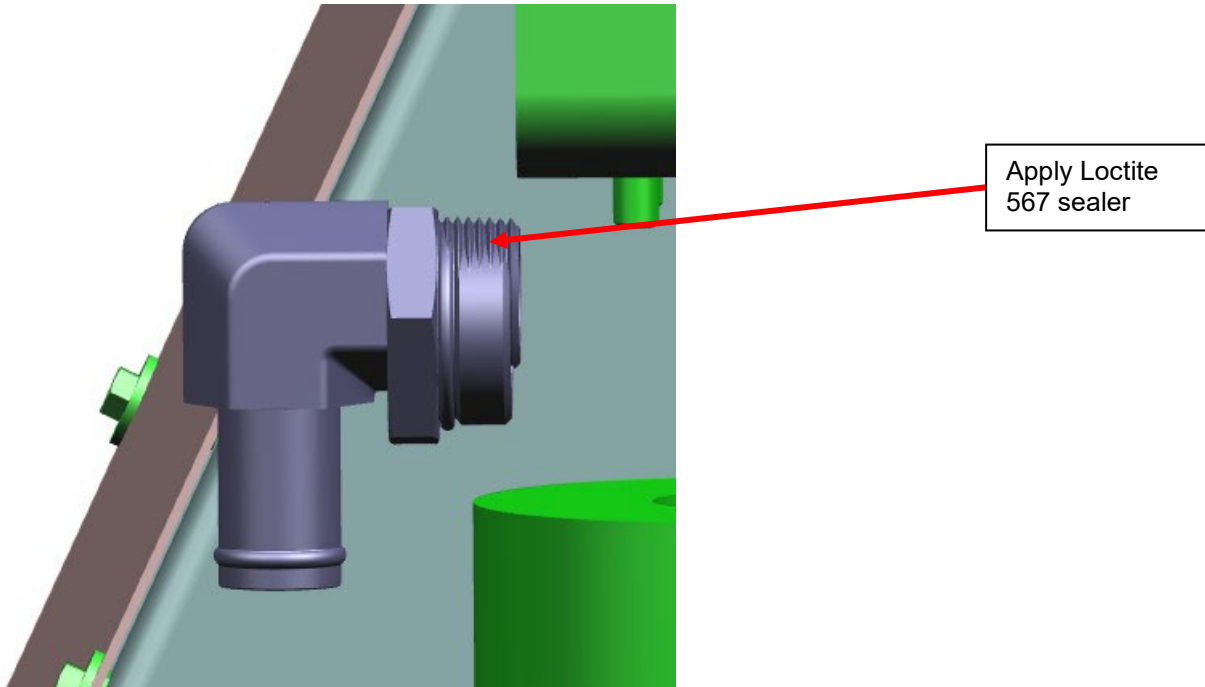
PROCEDURE:

1. Set park brake and chock wheels.
2. Turn the main battery disconnect switch to the "OFF" position.
3. Open the rear ESS door and locate the "BTMS COOLANT" reservoir. Operate the pressure relief valve to depressurize the system
4. Remove the roadside Bag Bay 2 door to access the BTMS coolant filter.

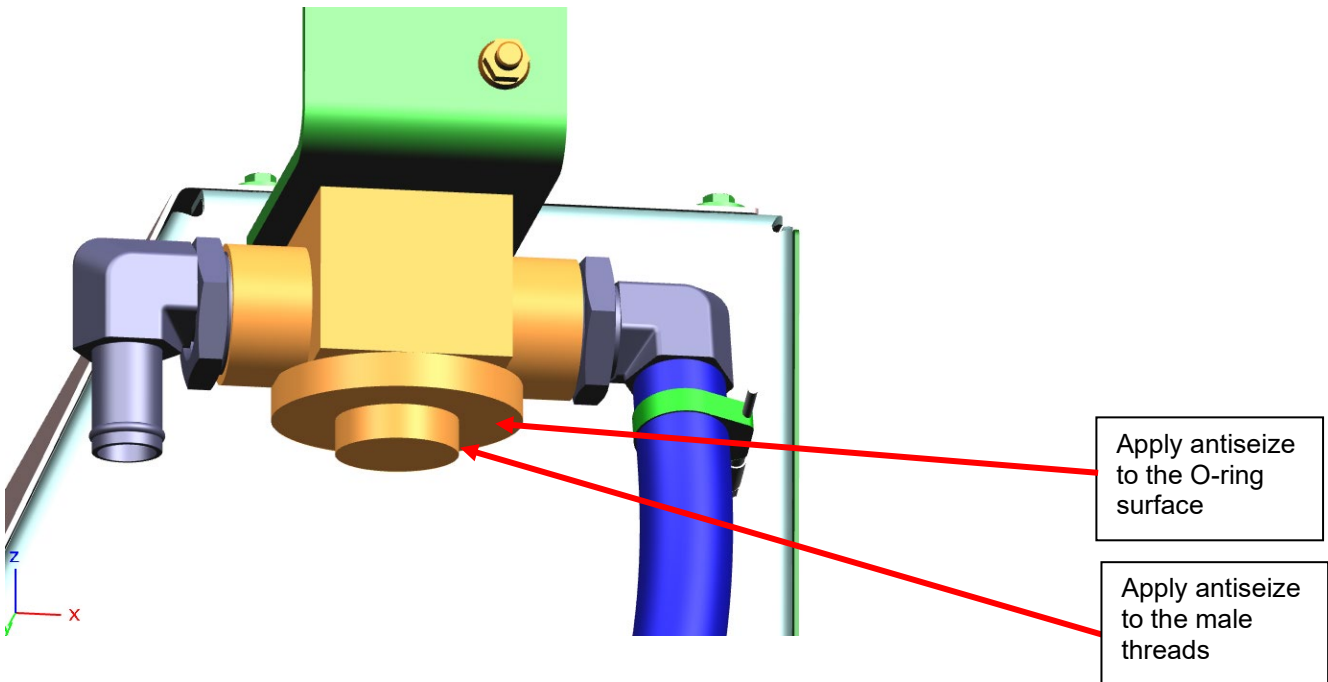


5. Use hose pinch pliers to pinch the filter inlet and outlet hoses before removing the filter.
6. Loosen the inlet and outlet hose clamps and remove the hoses from the 90deg fittings.
7. Remove the 4 bolts and washer that secure the filter head to the bracket and save.
8. Take note of the flow direction arrow on the filter head for future reference then remove the filter head assembly from the bus.
9. Note the orientation of the filter head 90deg fittings before removing and transferring the fittings to the new filter head.

10. Using Loctite 567 sealer on the elbow threads, install the elbows into the filter head PN 685165 in the same orientation they were found before removal.

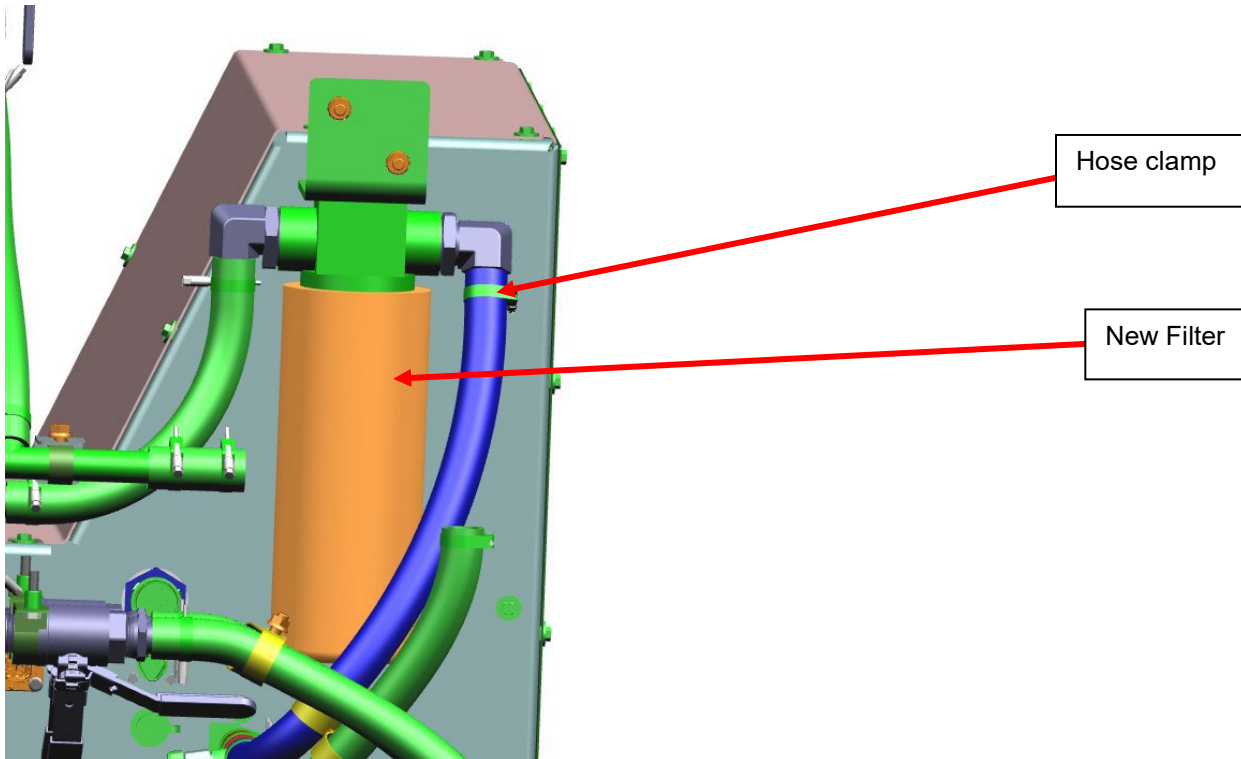


11. Apply a light coating of antiseize paste PN 6504805 to the filter head male threads and the O-ring surface.



⚠ WARNING:
Failure to use antiseize on the threads and/or over tightening the filter may result in galling of the filter head threads.

12. Install the filter head assy to the mounting bracket using the original four bolts and washers. Ensure that the flow direction arrow on the new filter head is pointing in the same direction as before.
13. Install the new coolant filter PN 902037. **DO NOT** overtighten (1/2 turn MAX after filter starts to seat).
14. Reinstall the inlet and outlet hoses. Torque the hose clamps to 12-14 in-lbs.



15. Remove the pinch pliers on the inlet and outlet hoses.
16. Start the vehicle, check for leaks, and top up the coolant as required. For coolant filling and deaeration instructions see section per the Service Manual.
17. Reinstall Bag Bay 2 service door.



| LABOUR ESTIMATE | | | | |
|-----------------|--|-------------------------|-------|-------------------|
| | Operation | Number of Technician(s) | Hours | Labor Time T X HR |
| 1 | Remove and replace coolant filter and filter head. | 1 | 1.5 | 1.5 |

| PARTS REQUIRED | | | | | |
|----------------|-------------|------------------------------------|----------------|-------|------------------|
| Item | Part Number | Description | Qty. per Coach | Units | Notes |
| 1 | 685165 | Filter Head | 1 | EA | |
| 2 | 8110442 | Loctite 567-Thread Sealant | .01 | EA | Purchase Locally |
| 3 | 6504805 | Antiseize P-37 paste | .01 | EA | Purchase Locally |
| 4 | 902037 | Filter-Donaldson 45 micron SS mesh | 1 | EA | |

| SPECIAL TOOLS REQUIRED | | | | | |
|------------------------|-------------|---------------------------|------|-------|-------|
| Item | Part Number | Description | Qty. | Units | Notes |
| 1 | | No Special Tools Required | | | |