

Replacement Requirement for Pressure Sensors for Refrigerant Circuit - Mixed Installation Not Permitted (70/24)

Vehicle Type: **Panamera 4 E-Hybrid (971)/Panamera 4S E-Hybrid (971)**

Model Year: **As of 2017 up to 2024**

Concerns: **Refrigerant circuit pressure sensors**

Cause: **Due to the discontinuation of an electronic component within the pressure sensor, the pressure sensors for the refrigerant circuit have been switched to a changed component status.**
 The changed component status can be identified by a changed part number.
 Pressure sensors that correspond to the changed component status are not compatible with the previous pressure sensors.
 If a pressure sensor is required for replacement, it must therefore be ensured that both pressure sensors in the refrigerant circuit correspond to the changed component status (identical part number). If this is not the case, the respective other pressure sensor must also be replaced as a one-off. Mixed installation of pressure sensors with different component status (mixed installation) is not technically permissible and leads to faults in the refrigerant circuit and in the air conditioning.

Overview of Pressure Sensors:

| Part No. | Corresponds to the following part identifier on the component | Designation |
|------------|---|--|
| PAB959603 | 4M0959603E | ⇒ Pressure sensor for air-conditioning system (previous status, no longer available) |
| or | | |
| PAB959603B | 4M0959603J | ⇒ Pressure sensor for air conditioning system (changed status) |



Pressure sensor part identifier

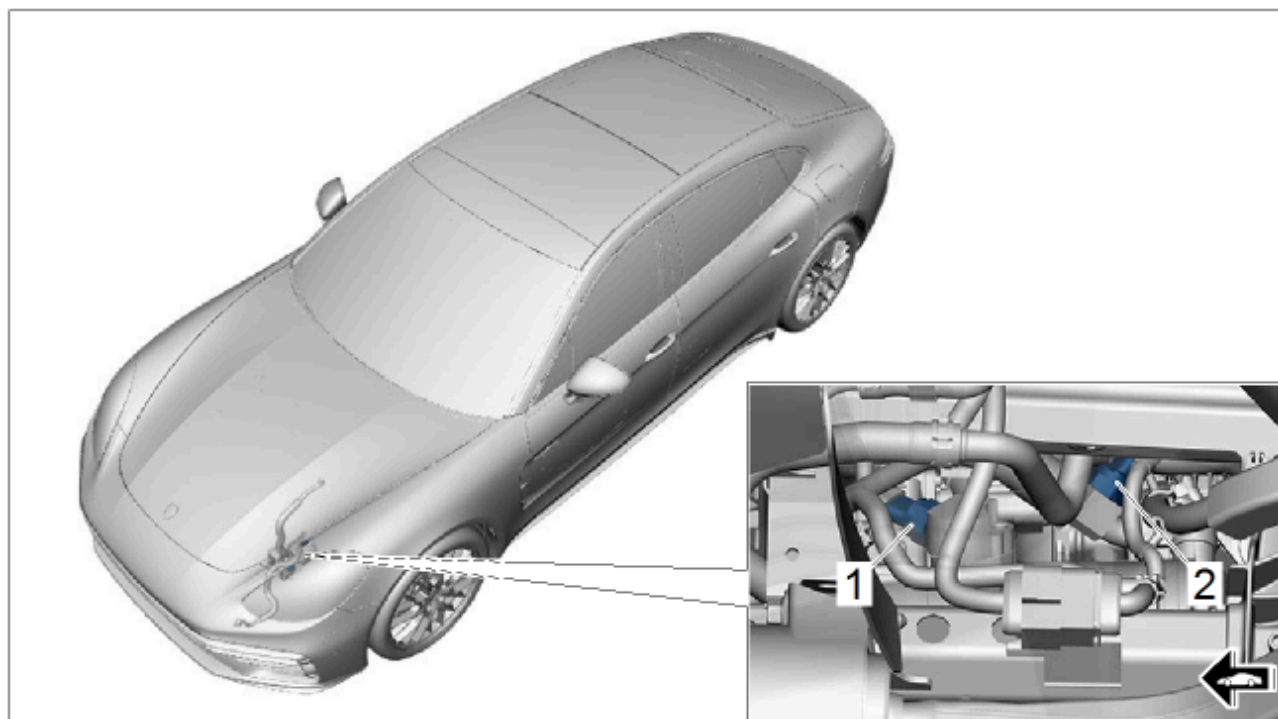
- 1 – Pressure sensor part identifier

Action: If a pressure sensor must be replaced, ensure that both pressure sensors in the refrigerant circuit correspond to the changed component status with the part identifier 4M0959603J.

If this is not the case, **both** pressure sensors must be replaced.

⇒ *Workshop Manual '878319 Remove and install pressure sensor (PT1 and PT2)'*

Installation
Position:



Installation position

- 1 – Pressure sensor (PT2) on low-pressure side
- 2 – Pressure sensor (PT1) on high-pressure side

Labor position and PCSS encryption -

Labor position:

| APOS | Labor operation | I No. |
|----------|--|-------|
| 87831915 | Remove and install refrigerant circuit pressure sensor | |
| 87831916 | Remove and install refrigerant circuit pressure sensor | |
| 87831918 | Remove and install refrigerant circuit pressure sensor | |
| 87831919 | Remove and install refrigerant circuit pressure sensor | |

PCSS encryption:

| | | |
|--------------------------|-------|---|
| Location (FES5) | 87830 | Pressure sensor for refrigerant circuit |
| Damage type (SA4) | 9744 | Part not available |

Important Notice: Technical Bulletins issued by Porsche Cars North America, Inc. are intended only for use by professional automotive technicians who have attended Porsche service training courses. They are written to inform those technicians of conditions that may occur on some Porsche vehicles, or to provide information that could assist in the proper servicing of a vehicle. Porsche special tools may be necessary in order to perform certain operations identified in these bulletins. Use of tools and procedures other than those Porsche recommends in these bulletins may be detrimental to the safe operation of your vehicle, and may endanger the people working on it. Properly trained Porsche technicians have the equipment, tools, safety instructions, and know-how to do the job properly and safely. Part numbers listed in these bulletins are for reference only. The work procedures updated electronically in the Porsche PIWIS diagnostic and testing device take precedence and, in the event of a discrepancy, the work procedures in the PIWIS Tester are the ones that must be followed.

© 2025 Porsche Cars North America, Inc.