



Technical Service Bulletin

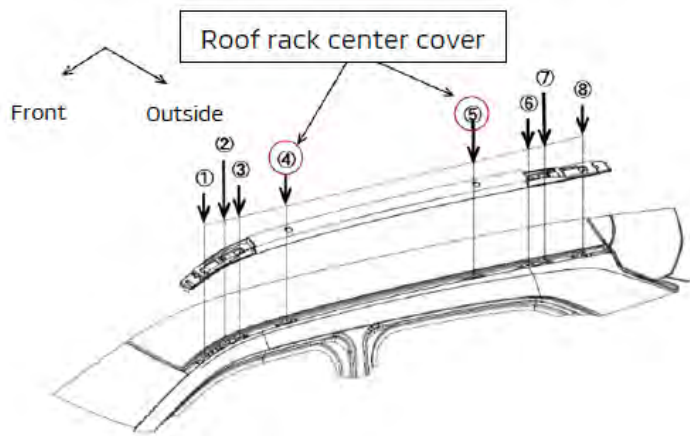
SUBJECT:			No: TSB-25-51-001
ROOF RACK CENTER COVER MAY DETACH DURING USE			DATE: April 2025
			MODEL: See below
CIRCULATE TO:	<input type="checkbox"/> GENERAL MANAGER	<input checked="" type="checkbox"/> PARTS MANAGER	<input checked="" type="checkbox"/> TECHNICIAN
<input checked="" type="checkbox"/> SERVICE ADVISOR	<input checked="" type="checkbox"/> SERVICE MANAGER	<input checked="" type="checkbox"/> WARRANTY PROCESSOR	<input type="checkbox"/> SALES MANAGER

PURPOSE

This TSB provides instructions on how to remedy a Roof Rack Center cover detaching during use. Replace the Roof Rack Center cover with a new countermeasure part on a customer complaint basis. If the Roof Rack Front and Rear covers have deteriorated and are different in color from the new Roof Rack, you may replace the covers with new ones at the same time.

BACKGROUND

Due to quality concerns the rail hook and cover may not engage together fully, resulting in a false locking condition. To resolve this, the structure of the Roof Rack Center cover has been changed.



AFFECTED VEHICLES

2018-2024 Eclipse Cross (VIN cut-off JA4ATVAA7RZ057198 / March 18, 2024)



Copyright 2025, Mitsubishi Motors North America, Inc.

The information contained in this bulletin is subject to change. For the latest version of this document, go to the Mitsubishi Dealer Link, MEDIC, or the Mitsubishi Service Information website (www.mitsubishitechno.com).

WORK PROCEDURE

Please refer to the Service Manual (pages 3-4 of this bulletin) to replace the Roof Rack and cover(s) as appropriate.

PLEASE NOTE: Changes have been made to the Roof Rack and Center covers. The old covers will not fit on the new Roof Rack.



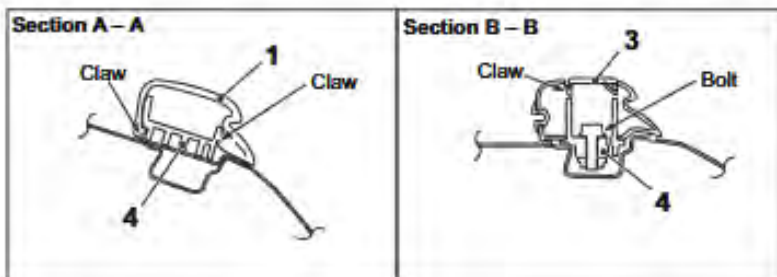
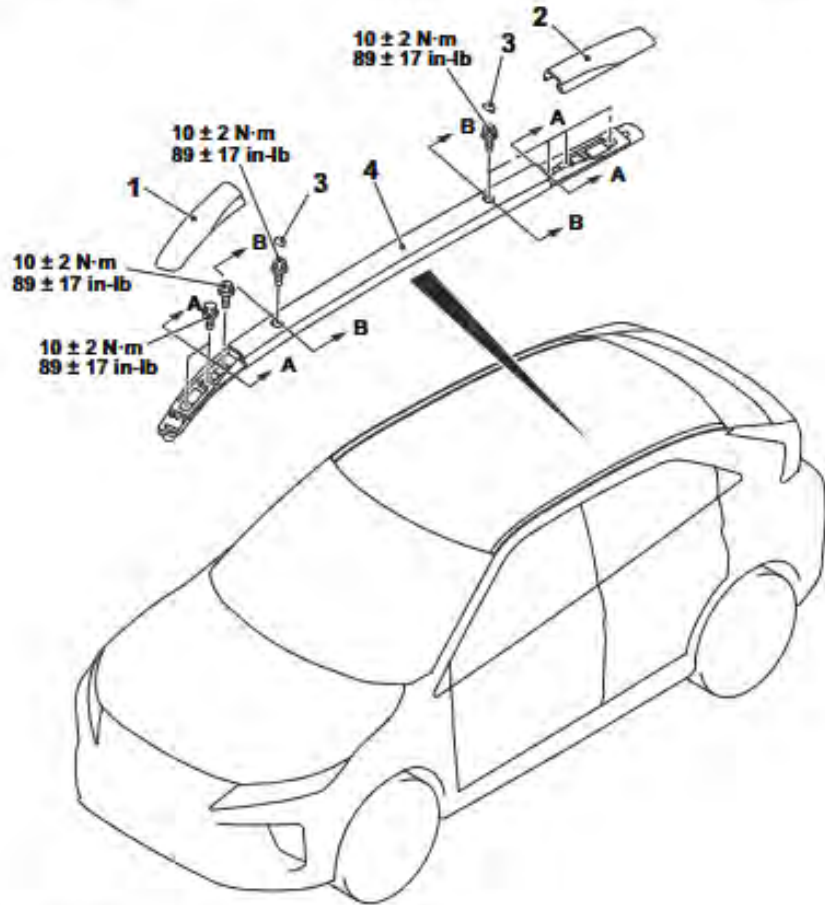
If there is deterioration in color, it may be necessary to replace the front and rear Roof Rack covers:



ROOF RACK

REMOVAL AND INSTALLATION

M1511032EA0010



BCKA3464AB

- <<A>> Removal steps
 1. Roof rack front cover
 <<A>> 2. Roof rack rear cover

- Removal steps
 3. Roof rack center cover
 >>A<< 4. Roof rack

REMOVAL SERVICE POINT

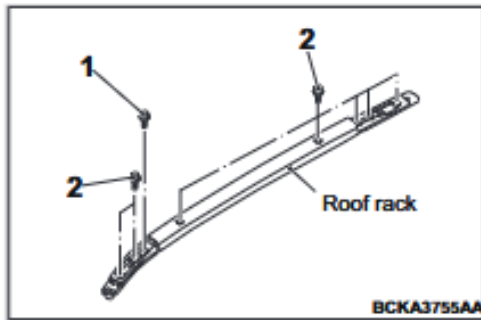
<<A>> ROOF RACK FRONT COVER/ROOF RACK REAR COVER

Remove the engagement between claws, and then pull out the cover toward the outside of the vehicle.

INSTALLATION SERVICE POINT

>>A<< ROOF RACK INSTALLATION

Tightening the roof rack bolts in the numerical order to 10 ± 2 N·m (89 ± 17 in·lb).



GARNISHES

ADHESIVE

M15110005A0130

Application	Specified adhesive
Front door delta garnish	Double-sided tape: A: 10 mm (0.4 in) width and 1 mm (0.04 in) thickness B: 8 mm (0.3 in) width and 0.8 mm (0.03 in) thickness Specified primer: 3M™ K-520 or equivalent
Front door center pillar garnish	Double-sided tape: 8 mm (0.3 in) width and 0.8 mm (0.03 in) thickness Specified primer: 3M™ K-520 or equivalent
Rear door center pillar garnish	Double-sided tape: 8 mm (0.3 in) width and 0.8 mm (0.03 in) thickness Specified primer: 3M™ K-520 or equivalent
Rear door garnish rear	Double-sided tape: 8 mm (0.3 in) width and 0.8 mm (0.03 in) thickness Specified primer: 3M™ K-520 or equivalent
License light garnish <Up to 20 Model year>	Double-sided tape: 5.0 mm (0.2 in) width and 1.2 mm (0.05 in) thickness Specified primer: 3M™ K-500 or equivalent
Rear three-diamond mark	Double-sided tape: 0.8 mm (0.03 in) thickness Specified primer: 3M™ C-100 or equivalent

PARTS

Part Name	Part No.		Quantity	Remarks
	New	Old		
RACK,ROOF,LH	73821W040P	7661A567	1	
RACK,ROOF,RH	73820W040P	7661A568	1	
COVER,ROOF RACK,CTR	73882W000P	7661A154	2 for one side	
COVER,ROOF RACK,FR LH	-	7661A311	1	If necessary
COVER,ROOF RACK,RR LH	-	7661A313	1	If necessary
COVER,ROOF RACK,FR RH	-	7661A312	1	If necessary
COVER,ROOF RACK,RR RH	-	7661A314	1	If necessary

WARRANTY

This bulletin is supplied as technical information only and is not an authorization to repair. If an affected vehicle is reported with the described condition, diagnose the condition, repair as described in this bulletin, and submit a normal warranty claim using the information below.

Operation Code	Operation	Quantity	Work Time
517043UP	Replacement (one side)	1	0.3H
517043UQ	Replacement (both side)	1	0.4H

PLEASE NOTE: If the Roof Rack Front cover and Roof Rack Rear cover have deteriorated and are different in color from the new Roof Rack, you may replace the covers with new ones at the same time.



Example of discoloration