

# V-710-001

(April 2025)

## Valid for

Volvo Axle Back VHD model trucks built from January 2004 to present.

## Case description

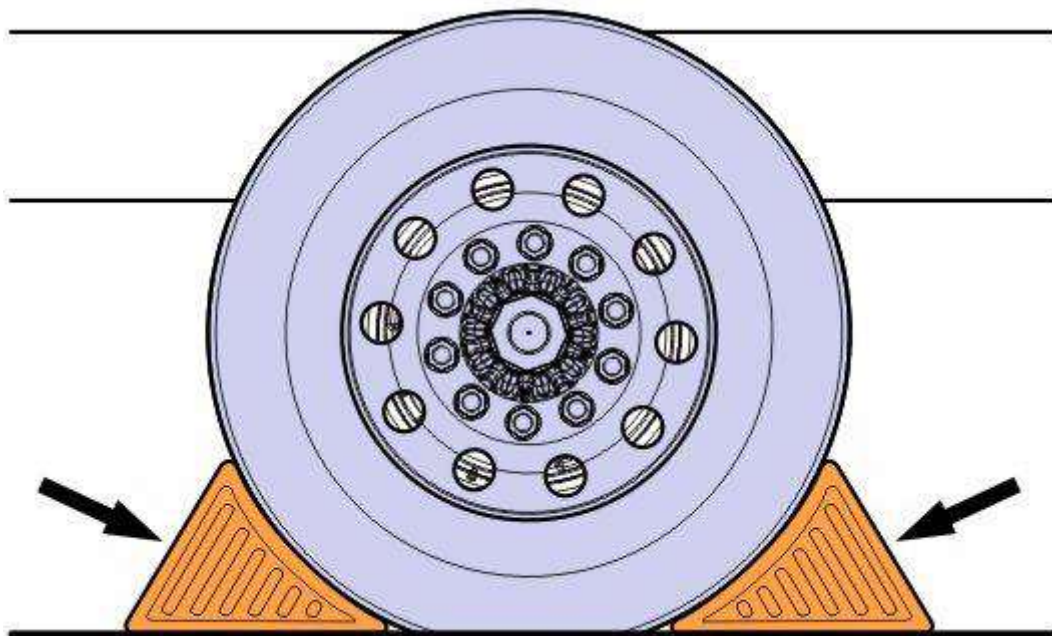
Volvo Trucks has identified that some VHD model vehicles with an axle-back configuration may experience loose mounting hardware for the engine cross-member. If you encounter loose or missing engine cross-member mounting hardware, please follow the instructions in this document to install updated hardware.

## Required Parts

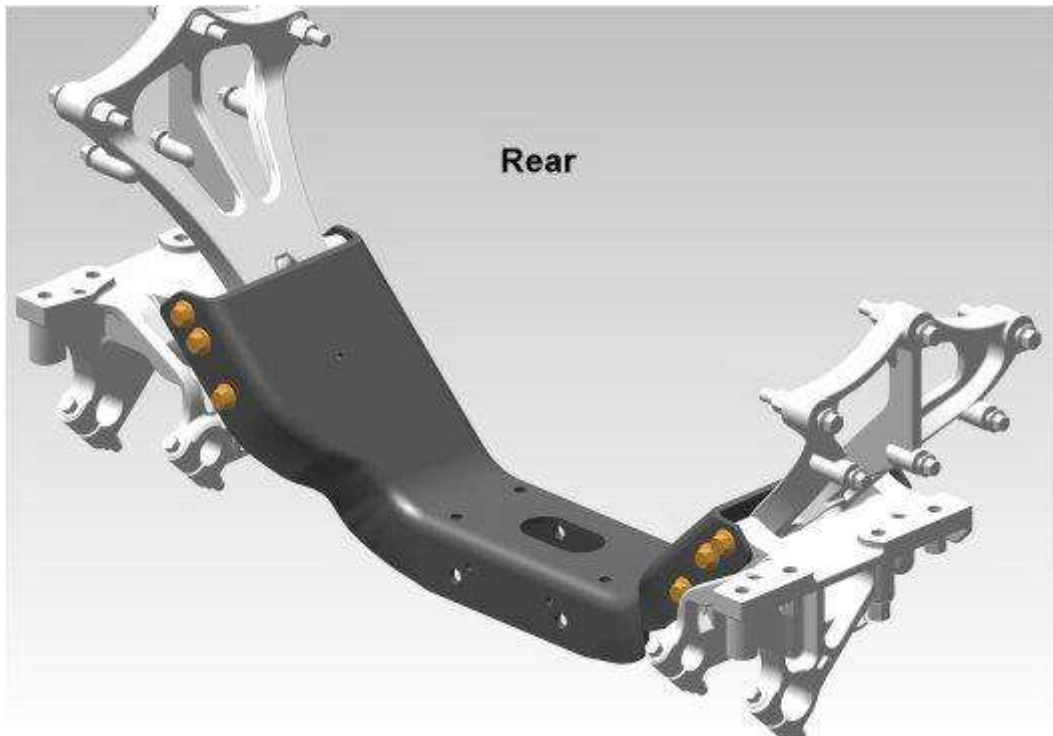
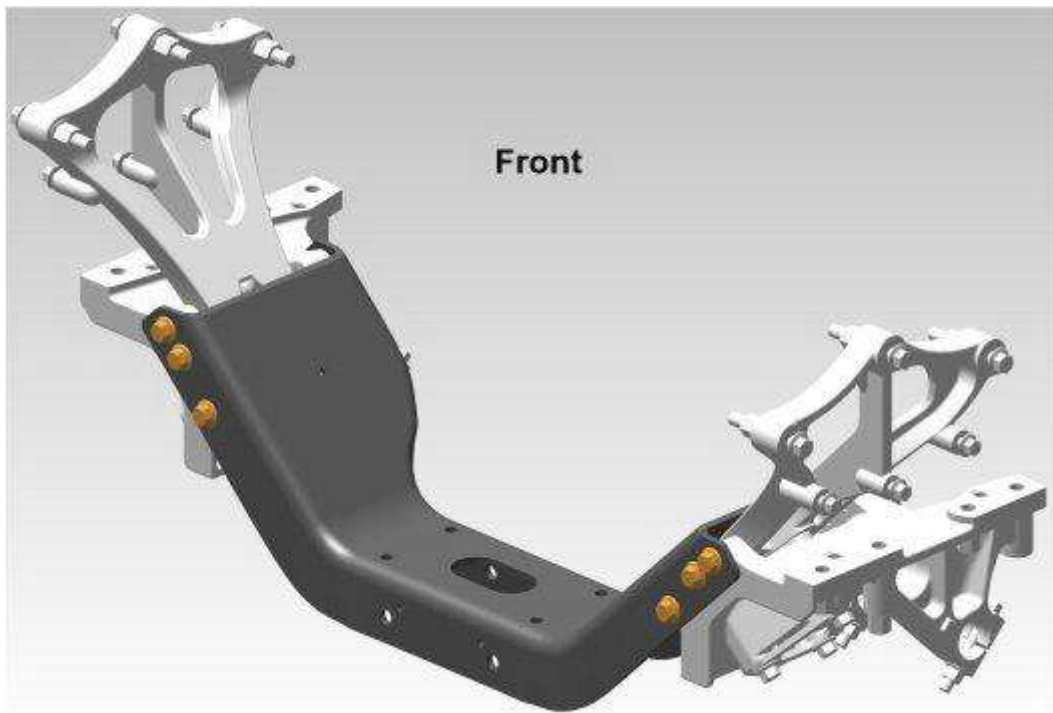
| Part Number | Description | Quantity |
|-------------|-------------|----------|
| 25194718    | Screw       | 12       |
| 20785497    | Spacer      | 12       |
| 25107956    | Washer      | 6        |

## Repair Procedure

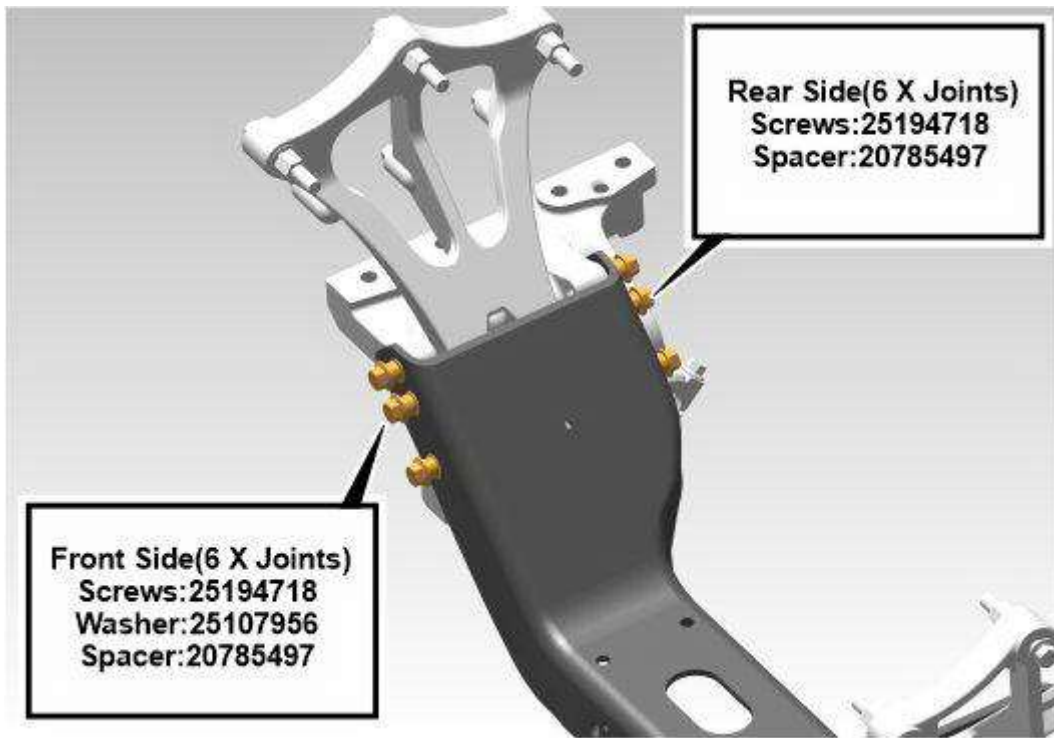
1. Park the vehicle on a level surface.
2. Apply the parking brake.
3. Place the gear lever in neutral.
4. Install the wheel chocks.



5. Inspect the engine cross-member for any loose or missing mounting hardware.



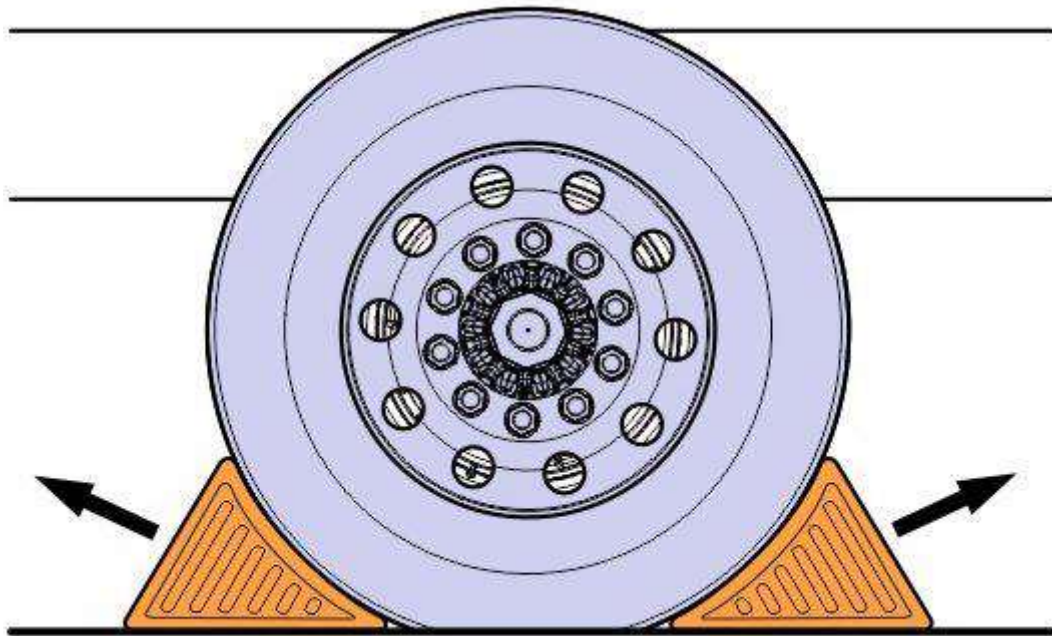
6. If any of the 12 mounting hardware are found loose or missing, all hardware must be replaced with the updated version. This applies regardless of whether only one or all 12 are affected. Follow the step outlined below to replace the hardware.
- Replace one bolt at a time.
  - For the Front cross-member mounting hardware, replace the removed hardware with a Screw Part Number 25194718, Washer Part Number 25107956 and Spacer Part Number 20785497. **Install in that order.**
  - For the Rear cross-member mounting hardware, replace the removed hardware with a Screw Part Number 25194718, and Spacer Part Number 20785497.



7. Torque all hardware at the 12 mounting points to the following specification.

| Tightening torque |                               |
|-------------------|-------------------------------|
| Screw             | 175 ± 30 Nm (129 ± 22 lbf.in) |

8. Remove the wheel chocks.



9. Return the truck to service

10. Reinstall the fill tube cap. Then start the engine and check for oil leaks around the filter head.

**Issued by**

