

NON-COMPLIANCE RECALL

Volvo Trucks North America

Greensboro, NC USA

Date	Number	Release	Page
04.2025	EC0037	01	1(6)

M0349 SCR Replacement, 13L VGT and TC Engine VAH, VHD, VN

RECALL INFORMATION

(April 2025)

Volvo Trucks has identified that the Selective Catalyst Reduction (SCR) system in certain vehicles equipped with the MY 2017 or 2018 13L VGT and Turbo Compound (TC) engine are not meeting California and EPA emissions standards, or Volvo cannot confirm its compliance. These vehicles have been flagged due to telematics data showing that the NOx conversion efficiency of the SCR system has dropped below 94% for eight weeks. Alternatively, these vehicles may have communication issues with telematics, such as not reporting or ceasing reporting for the same period.

To ensure Volvo remains emission compliant on these vehicles, follow the repair instructions outlined in this document to replace the Selective Catalyst Reduction (SCR) system with new one.

VEHICLES AFFECTED

Certain Volvo vehicles manufactured between November 31, 2016, and December 21, 2018.

VEHICLE QUANTITY

There are 2,357 vehicles affected by this recall (2,357 California)

Parts Information

The SCR Muffler should be ordered VOR, all other parts should be ordered through normal process.

Part Number	Description	Quantity
23160668	SCR Muffler	1
23108406	Clamping band kit	1
21376801	Gasket	1
990413	Screw	3
21095726	Gasket	3
21095721	Gasket	1

Important Parts Note!

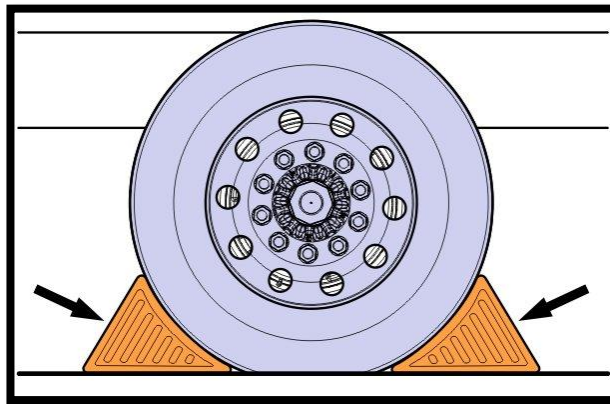
Please dispose of the SCR Muffler following the normal process.

Repair Instructions

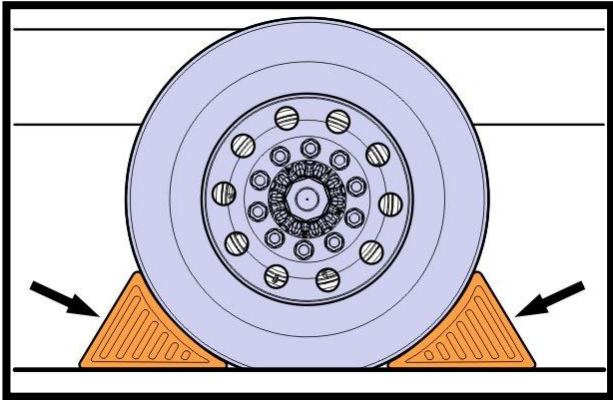
Important Service Note!

Before replacing the SCR Muffler under this recall, you must verify that **EC0032 or EC0033 Software Recall** have been completed. If **EC0032 or EC0033 Software Recall** has not been completed, it must be done first.

1. Park the vehicle on a level surface.
2. Apply the parking brake.
3. Place the gear lever in neutral.
4. Install wheel chocks.



5. Follow Impact operation **2586-03-02-10 Muffler, Replacement (Combined DOC, DPF, SCR) Decontented** to replace the SCR with a new SCR muffler.
6. Install and fill out the Campaign Completion Label if needed.
7. Remove the wheel chocks.



8. Release vehicle to customer.

Important Note!

If needed, print out this Emission Recall Proof of Correction Certificate. Fill in the appropriate information for your records and provide a copy to the customer.

Vehicle Emissions Recall - Proof of Correction

License Number	Make	Year Model	Year Model	Vehicle Identification Number

Manufacturer: _____ Recall Number: _____

The above described vehicle has been repaired, modified to address the Emissions Related Recall that is listed above.

Dealer's _____ Address, City, State _____

Dealer's Authorized Signature _____

X _____

Return this certificate to DMV only when required - otherwise retain for your records.

REIMBURSEMENT

This repair is covered by an authorized Non-Compliance recall. Reimbursement is obtained through the normal claim handling process.	
	UCHP Reimbursement
Claim Type (used only when uploading from the Dealer Business System)	40
Recall Status	
Vehicle repaired per instructions	1-Modified per instructions
Labor code	
2586-03-02-10 Muffler, Replacement (Combined DOC, DPF, SCR) Decontented	Use Impact
Causal Part	21970118
Authorization Number	M0349

Note: Dealers are to perform Non-Compliance Recall on all subject vehicles at no charge to the vehicle owner regardless of mileage, age of vehicle or ownership (original purchaser or subsequent purchasers). Whenever vehicles are subject to a Non-Compliance Recall are brought to your dealership for service, or taken into your dealership vehicle inventory, it is strongly recommended that every effort be made to perform the recall correction before the vehicle is sold or released to the owner.