

04/23/2025

CAL FTL 54-037

**Subject: Accent Light Issue Instructions**

**Make: Freightliner**

**Model: 5<sup>th</sup> Generation Cascadia**

**Model Year Affected: 2025**

**Build Date Range: Selected Vehicles Built Between July 2024 and April 2025**

Our records indicate that you are the owner of certain vehicles; therefore, DTNA has decided to share the following documentation with you.

Please see the attached communication in this email. We hope you find this information helpful.

04/23/2025  
CAL FTL 54-037

### Subject: Accent Light Issue Instructions

Make: Freightliner  
Model: 5<sup>th</sup> Generation Cascadia  
Model Year Affected: 2025  
Build Date Range: Selected Vehicles Built Between July 2024 and April 2025

### General Information

The park lamp, known as the lower accent light in the headlight assembly, functions as a parking lamp. However, when the engine is running and the high beams are activated, it is disabled and does not re-enable when the driver switches back to low beams. This CAL will resolve the issue.

### Work Instructions

1. Park the vehicle, shut down the engine, and apply the parking brakes. Chock the tires.
2. Disconnect the batteries.
3. Remove circuit 379W from cavity 19 of connector X6. See Fig.1.

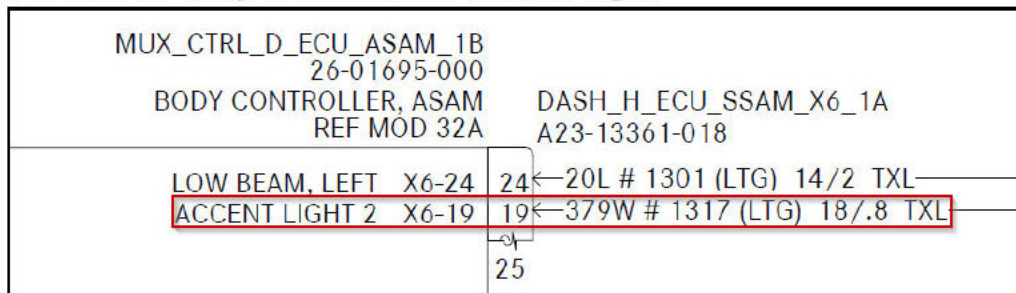


Fig. 1 Removing Circuit 379W

4. Cut the terminal off the end of circuit 379W.
5. Splice in an 8-inch length of 18AWG primary wire to the end of circuit 379W.
6. Attach terminal 23-13209-730 to the other side of the primary wire attached to the circuit 379W.
7. Insert circuit 379W into connector X7 cavity 29. See Fig. 2.

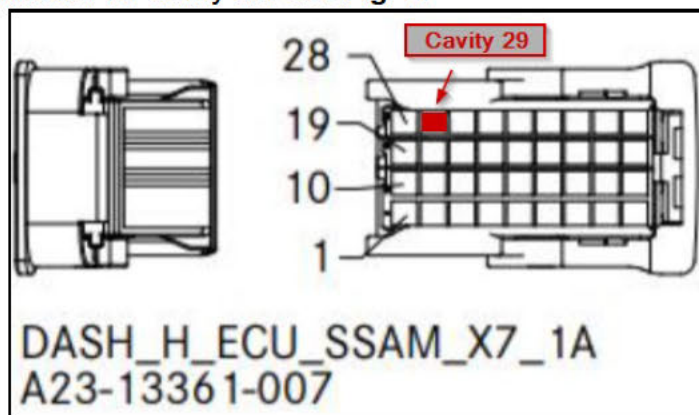


Fig. 2 Connector X7

04/23/2025

CAL FTL 54-037

8. Remove circuit 379X from cavity 18 of connector X8. See Fig. 3.

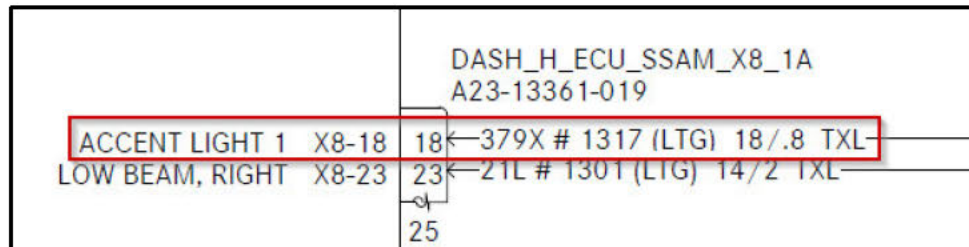


Fig. 3. Removing Circuit 379X

9. Cut the terminal off the end of circuit 379X.

10. Splice in an 8-inch length of 18AWG primary wire to the end of circuit 379X.

11. Attach terminal 23-13209-730 to the other side of the primary wire attached to the circuit 379X.

12. Insert circuit 379X into connector X7 cavity 36. See Fig. 4.

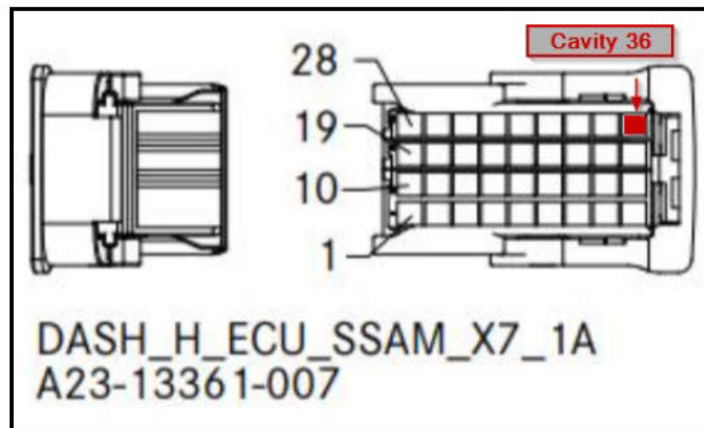


Fig. 4. Connector X7

### Parameter Updates in SSAM02T

There are three parameter changes required. **Connect DiagnosticLink® to the server** and download vehicle data. This is required to ensure the latest part number information is available on your computer.

1. Change "PFSC\_output\_pin0001\_sel" to "A0404575458-001 PSC Output0001 Sel Logic Block 38". See Fig. 5.

04/23/2025  
CAL FTL 54-037

Optimized Idle		Progressive Shift		PTO Speed Control		PTO1 Engagement			
All Parameters	Compare Configuration	Compare Parameters	Compare Server Data	Cruise Control	EMPTO	Engine Protection	EWMA Reset	Fan	Fleet
Parameter	Part	Value	Units	Minimum					
<b>SSAM02T - Single SAM</b>									
FSC Logic Block 36_40	A0404574858-001	FSC LB 36 40 Default GEN 9 001							
FSC Logic Block 6_10	A0284573058-004	OptAir Sw1 w/no interlocks - 004							
FSC Output Pin Block 1_16	A0374579358-004	OUTPUT PIN BLOCK P4 LHD CEEACE 004							
PFSC_output_pin0001_sel	(from parent)	Kingpin Release Sol Driver, from parent							
PFSC_output_pin0001_thre	(from parent)	A0374579358-004 OUTPUT PIN BLOCK P4 LHD CEEACE 004 (Kingpin Release Sol Driver, from parent)							
PFSC_output_pin0002_sel	(from parent)	A0404575458-001 PSC Output0001Sel - Logic Block 38							

**Fig. 5 Parameter Update**

- Change “PFSC\_output\_pin0007\_sel” to “A0454572158-001 FSC output pin 0007 sel = Logic Block 0039 result”. See Fig. 6.

FSC Output Pin Block 1_16	A0374579358-004	OUTPUT PIN BLOCK P4 LHD CEEACE 004			
PFSC_output_pin0001_sel	(from parent)	Kingpin Release Sol Driver			
PFSC_output_pin0001_thre	(from parent)	1	NoUnit		0
PFSC_output_pin0002_sel	(from parent)	Logic_Block0006_result			
PFSC_output_pin0002_thre	(from parent)	1	NoUnit		0
PFSC_output_pin0003_sel	(from parent)	Logic_Block0008_result			
PFSC_output_pin0003_thre	(from parent)	1	NoUnit		0
PFSC_output_pin0004_sel	(from parent)	Susp Raise Sol Driver			
PFSC_output_pin0004_thre	(from parent)	1	NoUnit		0
PFSC_output_pin0005_sel	(from parent)	Backup Light Command			
PFSC_output_pin0005_thre	(from parent)	1	NoUnit		0
PFSC_output_pin0006_sel	(from parent)	Logic_Block0024_result			
PFSC_output_pin0006_thre	(from parent)	1	NoUnit		0
PFSC_output_pin0007_sel	(from parent)	heel Slide Sol Driver, from parent			
PFSC_output_pin0007_thre	(from parent)	A0374579358-004 OUTPUT PIN BLOCK P4 LHD CEEACE 004 (Fifth Wheel Slide Sol Driver, from parent)			
PFSC_output_pin0008_sel	(from parent)	A0454572158-001 FSC output pin 0007 sel = Logic Block 0039 result			

**Fig. 6 Parameter Update**

- Change “FSC Logic Block 36\_40” to “A040 457 48 58-002 FSC LB 36 40 Default Gen 9 002”. See Fig. 7.

Idle and PTO Shutdown		Instrument Cluster Device Variants		Migration Plausibility		Optimized Idle		Progressive Shift		PTO Speed Control		PTO1 Engagement		PT	
All Parameters	Compare Configuration	Compare Parameters	Compare Server Data	Cruise Control	EMPTO	Engine Protection	EWMA Reset	Fan	Fleet						
Parameter	Part	Value	Units	Minimum											
<b>SSAM02T - Single SAM</b>															
FLS Fuel Level Sensing	A0144437958-001	FLS Fuel Level Sensing - KUS 43N													
FLS - HW Config	A0334474958-001	FLS HW Config - Default													
FLS Lookup Table	A0144437558-002	FLS Lookup Table - KUS 43N -002													
FSC CAN Event 1_32	A0334473858-001	FSC CAN Event 1_32 - Default													
FSC CAN Event Source															
FSC CAN Output Block 1_4	A0334473958-001	FSC CAN Output Block 1_4 - Default													
FSC DTC Output Block 1_10	A0334475258-001	FSC DTC Output Block 1_10 - Default													
FSC Flex Input Config	A0374578858-001	FSC Input Config - WST/P4 Default													
FSC - HW Config	A0334474058-001	FSC HW Config - Default													
FSC Logic Block 1_5	A0334473458-002	FSC Logic Block 1 5 - Default													
FSC Logic Block 11_15	A0284573158-001	FSC Logic Block 11 15 43N LG2b													
FSC Logic Block 16_20	A0384579958-001	FSC Logic Block 16 20 RHD CEEAce													
FSC Logic Block 21_25	A0394575258-003	FSC LB 21 25 Default GEN 9 003													
FSC Logic Block 26_30	A0384574358-005	Logic Block 26 30 - Default ZGS 005													
FSC Logic Block 31_35	A0394579358-001	Alternating Flashing													
FSC Logic Block 36_40	A0404574858-001	6 40 Default: GEN 9 001		9 001											
PFSC_logic_blk0036_in1_hys	(from parent)	A0404574958-002 FSC Logic Block 36_40 FCCC ZGS 002													
PFSC_logic_blk0036_in1_sel	(from parent)	A0404574958-001 FSC Logic Block 36_40 FCCC Park Neut Intlk													
PFSC_logic_blk0036_in1_thre	(from parent)	A0404574858-001 FSC LB 36 40 Default GEN 9 001													
PFSC_logic_blk0036_in2_hys	(from parent)	A0404575358-001 Logic Block 36_40 FCCC MSF Interrupt													
PFSC_logic_blk0036_in2_sel	(from parent)	A0404575358-002 Logic Block 36_40 FCCC MSF HRN_ALRT													
PFSC_logic_blk0036_in2_thre	(from parent)	A0404574858-002 FSC LB 36 40 Default GEN 9 002													

**Fig. 7 Parameter Update**

04/23/2025

CAL FTL 54-037

**Final check:**

1. Turn the key on and confirm the left and right accent lights are working.