

ATTENTION:

GENERAL MANAGER

PARTS MANAGER

CLAIMS PERSONNEL

SERVICE MANAGER

IMPORTANT - All Service Personnel Should Read and Initial in the boxes provided, right.

© 2023 Subaru of America, Inc. All rights reserved.



QUALITY DRIVEN® SERVICE

SERVICE BULLETIN

APPLICABILITY: 2020-24MY Legacy & Outback 2.5L
 2017-24MY Impreza & Crosstrek
 2019-23MY Forester
 2022-23MY BRZ

NUMBER: 09-115-24R

DATE: 05/14/24

REVISED: 04/22/25

SUBJECT: Oxygen Sensor Design Change / P0137, P0138, P0140, & P0141

INTRODUCTION:

This bulletin announces the availability of new oxygen sensors developed to address the following Diagnostic Trouble Codes (DTCs) detected by the Engine Control Module:

- **P0137:** O2 Sensor Circuit Low Voltage Bank 1 Sensor 2
- **P0138:** O2 Sensor Circuit High Voltage Bank 1 Sensor 2
- **P0140:** O2 Sensor Circuit No Activity Detected Bank 1 Sensor 2
- **P0141:** O2 Sensor Heater Circuit Bank 1 Sensor 2

The new sensors have an optimized coating application to help prevent cracking within the internal surfaces reducing any possibility of short/open circuits. If any of the DTCs listed above are stored in the ECM, perform the sensor identification procedures outlined below.

PRODUCTION CHANGE INFORMATION:

The new oxygen sensors have been incorporated into vehicle production as per the table below.

Applicable Vehicle	Starting VIN
Legacy	R3012516
Outback	R3160712
Crosstrek SIA Produced (First 3 VIN Digits: 424)	R3719624
Crosstrek Japan Produced (First 3 VIN Digits: JF2)	R8231352
Forester	PH476230
BRZ	P8705164

CAUTION: VEHICLE SERVICING PERFORMED BY UNTRAINED PERSONS COULD RESULT IN SERIOUS INJURY TO THOSE PERSONS OR TO OTHERS.

Subaru Service Bulletins are intended for use by professional technicians ONLY. They are written to inform those technicians of conditions that may occur in some vehicles, or to provide information that could assist in the proper servicing of the vehicle. Properly trained technicians have the equipment, tools, safety instructions, and know-how to do the job correctly and safely. If a condition is described, DO NOT assume that this Service Bulletin applies to your vehicle, or that your vehicle will have that condition.

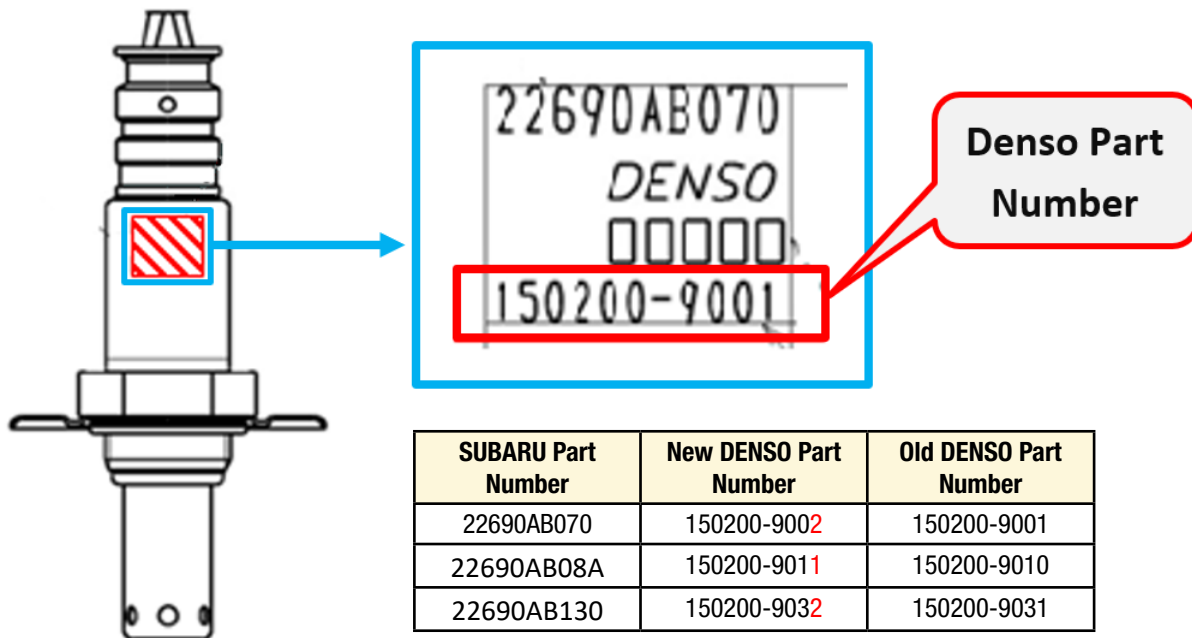
Subaru of America, Inc. is ISO 14001 Compliant

ISO 14001 is the international standard for excellence in Environmental Management Systems. Please recycle or dispose of automotive products in a manner that is friendly to our environment and in accordance with all local, state and federal laws and regulations.

Continued...

PART IDENTIFICATION:

The part numbers have not been changed. The new parts can be identified by the Denso part number engraved on the sensor.



PART INFORMATION:

REMINDER: Always order the most up-to-date replacement parts based on the specific VIN being repaired.

MY	Model	Part Number
17-24	Crosstrek SIA Produced (First 3 VIN Digits: 424)	22690AB08A
17-24	Crosstrek Japan Produced (First 3 VIN Digits: JF2)	22690AB08A
24	Impreza	22690AB08A
19-23	Forester	22690AB08A
20-24	Legacy	22690AB08A
20-24	Outback	22690AB08A
17-23	Impreza	22690AB08A
20-24	BRZ	22690AB130

SERVICE PROCEDURE / INFORMATION:

REMINDER: Customer satisfaction and retention starts with performing quality repairs.

The service procedures for oxygen sensor replacement remain unchanged. Always refer to the applicable Service Manual and review the full requirements of the repair being performed. The Service Manual procedures contain information critical to performing an effective repair the first time, every time. This includes but is not limited to important SAFETY precautions, proper inspection criteria, necessary special tools, required processes, and related one-time-use parts needed for a complete and lasting repair.

Refer to STIS: Engine > FUEL INJECTION (FUEL SYSTEMS) > Front/Rear Oxygen Sensor

Continued...

WARRANTY / CLAIM INFORMATION:

For vehicles within the Basic New Car Limited Warranty period, applicable emission warranty or covered by an active Subaru Added Security Gold plan, this repair may be submitted using the following claim information:

Labor Description	Labor Operation #	Labor Time	Fail Code
MFI OBDII FRONT OXYGEN/A.F. RATIONSENSOR R&R	A450-186	1.2	UFP-42
MFI OBDII REAR OXYGEN SENSOR R&R	A450-286	1.0	UEF-22

IMPORTANT REMINDERS:

- SOA strongly discourages the printing and/or local storage of service information as previously released information and electronic publications may be updated at any time.
- Always check for any open recalls or campaigns anytime a vehicle is in for servicing.
- Always refer to STIS for the latest service information before performing any repairs.