

Technical Service Bulletin

Topic	Boot hinge access covers Flying Spur MY25
Market area	Bentley: worldwide (2WBE), China 796 VW Import Comp. Ltd (Vico), Beijing (6796)
Brand	Bentley
Transaction No.	2077175/1
Level	EH
Status	Released for publishing
Release date	Apr 25, 2025

New customer code

Object of complaint	Complaint type	Position
body attachments and installations -> doors, lids operation	component, automotive fluids	

Vehicle data

Sales types

Type	MY	Brand	Designation	Engine code	Gearbox code	Final drive code
Z32*	2025	E		*	*	*

Documents

Document name
master.xml

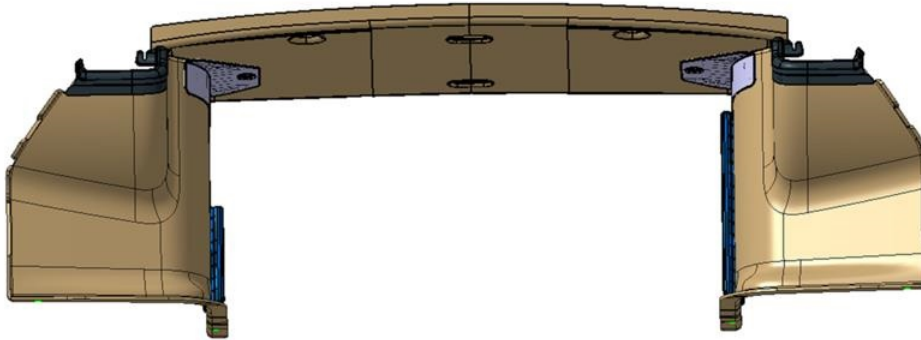
.....

Condition

Customer complaint of exposed boot hinge area.

Technical Background

Customer feedback highlighted concerns about the exposed boot hinge area. Bentley has introduced boot hinge covers which are now only available to retrofit upon customer request. See solution below.



NOTICE

The hinge covers can be fitted on request only if the customer deems the exposed hinge area as unsatisfactory.

Production Solution

Not applicable

Service

Boot hinge access covers – To fit

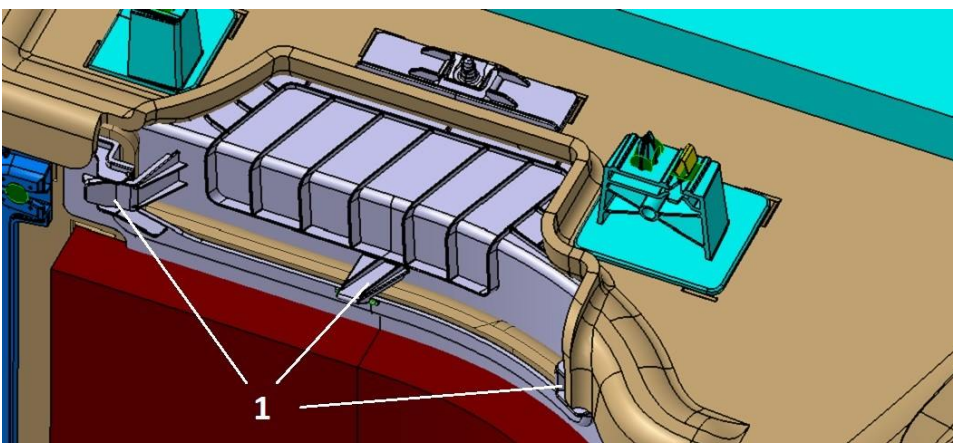
General information

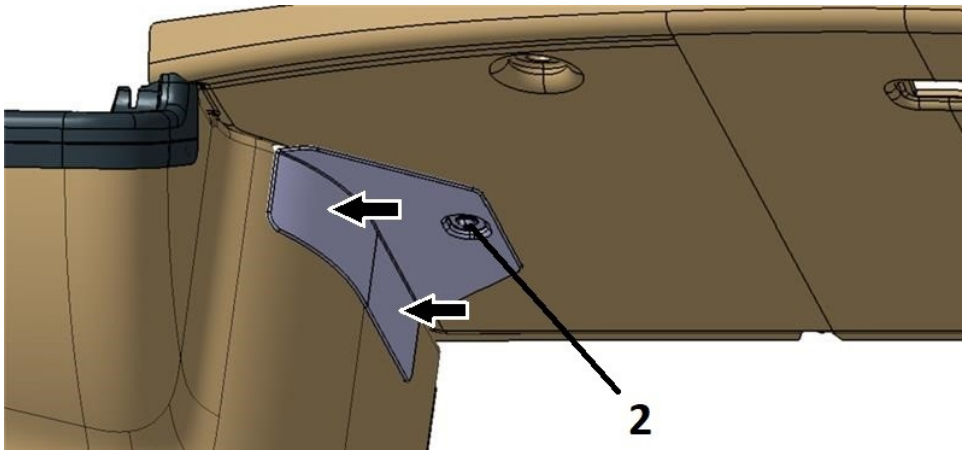
The following is based on left hand hinge covers, the right hand side is symmetrically opposite.

CAUTION

Both the hinge covers and the boot trim which house the hinge covers are susceptible to damage during installation of the hinge covers. Observe the care-points listed throughout this procedure to prevent damaging the parts.

- Open the boot lid.
- Switch off the ignition.





1. Align the cover with the mounting position, ensuring the clips (1) are correctly positioned.
2. Press the cover firmly until all three clips engage securely.
3. Insert the fixing screw (2) and tighten by hand to ensure proper alignment.
4. Torque the screw to 2NM.

⚠ CAUTION

Ensure the clips are aligned with the slots in the body before pushing in to prevent damaging the clips.

Warranty

Warranty type - 110 or 910

Damage service number 70 03

Damage code - 00 38

Time to fit boot hinge access covers

Labour operation code 70 03 19 99

Time Must not exceed 10 TU

Required Parts and Tools

3SE.885.245.B (Access cover LH)

3SE.885.246.B (Access cover RH)

N.911.809.01 Fasteners (2x)

Refer to the ETKA parts catalogue