

SLINGSHOT HELP CENTER

What can we help you find?

SEARCH

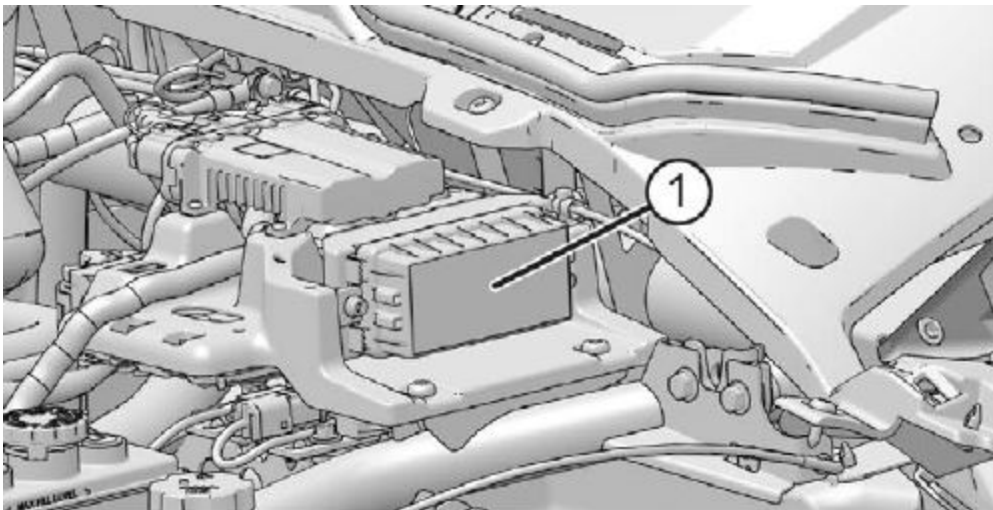
[Help Center Home](#) / [Article](#)

03/18/2025

2020+ Slingshot Fuse Replacement

There are two fuse boxes located under the hood of model year 2020 and newer Slingshot models.

The first fuse box (1) is located near the brake fluid reservoir. The six main system fuses (seven for Canadian models) are located in the battery compartment.



US Models

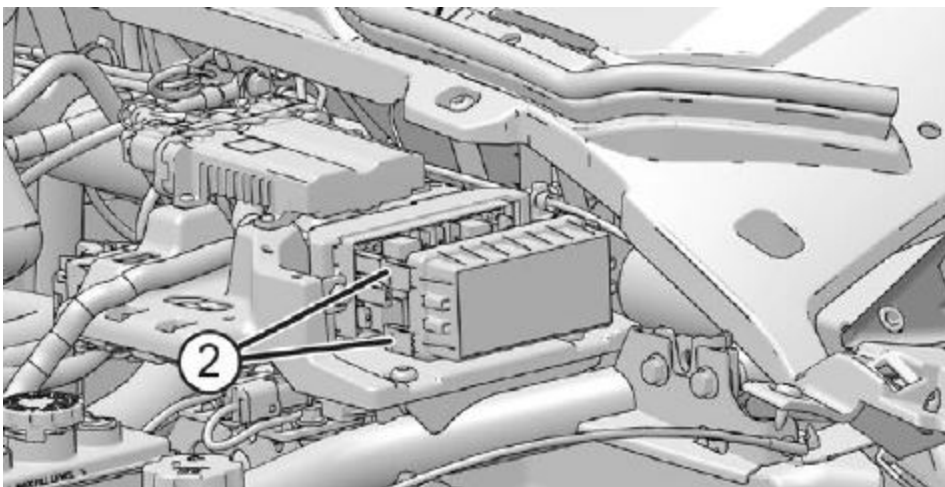


Canadian Models



To replace a fuse, follow these steps:

1. Open the hood.
2. Lift the locking tabs (2) and remove the cover.



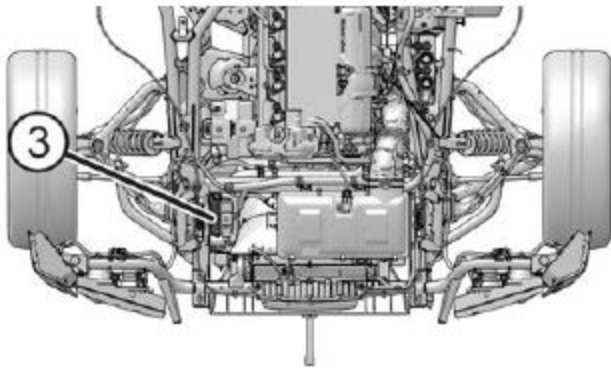
3. Use the fuse puller provided in the tool kit to remove the spent fuse.

4. Install the new fuse. **Notice:** Always use the recommended fuse to prevent electrical system damage. Refer to the label on the fuse box cover.

5. Reinstall the fuse box cover.

The second fuse box (3) is located closer to the front. The process for replacement is the same as above.

(Canadian Models Only) Chassis-3 40A
Chassis-2 40A
VCM 20A
PEPS 40A
Engine 40A
ABS 50A
Chassis-1 40A



For more information, see your authorized Slingshot Dealer. Find a dealer near you with the [Dealer Locator](#).

Maintenance tips, procedures and specifications can be found in your [Owner's Manual](#).

To find diagrams and replacement part numbers, use the [online parts catalog](#).

Unless noted, trademarks are the property of Polaris Industries Inc.

© 2022 Polaris Industries Inc.

Was this article helpful?