

V O L V O

Volvo Car USA LLC

Technical Journal

Technical Journal Title Outer Door Handle, seal interference		Ref. No. TJ 37245.2.0	
Issuer (Dept.) Technical Service		Issue Date 2/11/25	Status Date 2/20/25
Car Market United States and Canada	Partner 3 US 7510 Volvo Car USA	Function Group 8344	
Function Description Handle, outer for side door		Page Page 1 of 11	

Attachment

File Name	File Size
TJI-530589-6_1_5_en-US.pdf	1.2355 MB

Rows beginning with * are modified

Note! If using a printed copy of this Technical Journal, first check for the latest online version.

DESCRIPTION:

*Updated method in attachment

If the customer complains of outer door handles that make noise or does not fold out or back in completely, follow advice under "Service".

CSC Customer Symptom Codes

Code	Description
VK	Doors/Exterior door handle problems

DTC Diagnostic Trouble Codes

Vehicle Type

Type	Eng	Eng Desc	Sales	Body	Gear	Steer	Model Year	Plant	Chassis range	Struc Week Range
356							2025-9999		-	202417-999952

SERVICE:

NOTE! Do not replace any part but follow the instruction (TJI-530589-6_1_5_en-US.pdf) in this journal.

Warranty claim info:

To get a warranty claim accepted for a job described in this TJ, use the corresponding VST OP number stated in this TJ.

Note that the TJ number must be stated in the repair order text.

Technical Journal 37245.2.0

VST Operation Number

VST Operation Number	Description
98781-2	Handle outer side door adjust acc. to TJ

VEHICLE REPORT:

Yes, please submit a Vehicle Report if the service solution described in this TJ has no effect. Use concern area "Vehicle Report" and sub concern area "Support not needed", use function group 8344.

To view TJ attachment continue to next page. This TJ has one attachment.



Volvo Car Customer Service

TJ Instruction VCC-530589-6

Title	Exterior Door Handle	Page	1 (9)
Action	Product fix	Operation number:	98781-2

Issue	Date	Reason
1	2025-02	First issue

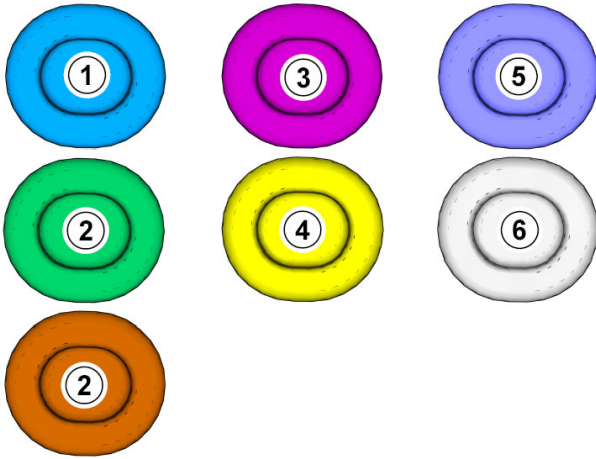
Affected vehicles

Model year	Model
2025	EX90

Equipment

Designation	Part No.
Screwdriver	
Carpet knife	
Feeler gauge	

Color symbols



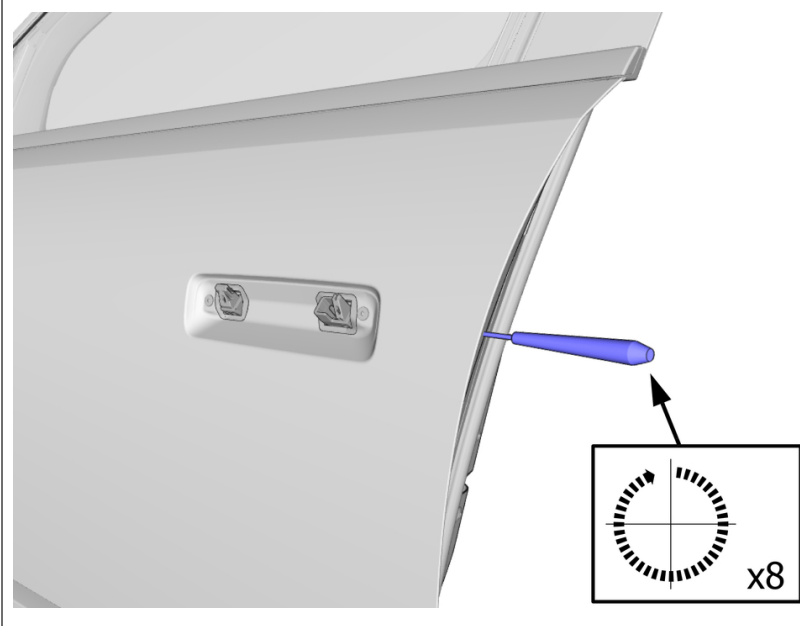
Note! This colour chart displays (in colour print and electronic version) the importance of the different colours used in the images of the method steps.

- 1 . Used for focused component, the component with which you will do something.
- 2 . Used as extra colors when you need to show or differentiate additional parts.
- 3 . Used for attachments that are to be removed/installed. May be screws, clips, connectors, etc.
- 4 . Used when the component is not fully removed from the vehicle but only hung to the side.
- 5 . Used for standard tools and special tools.
- 6 . Used as background color for vehicle components.

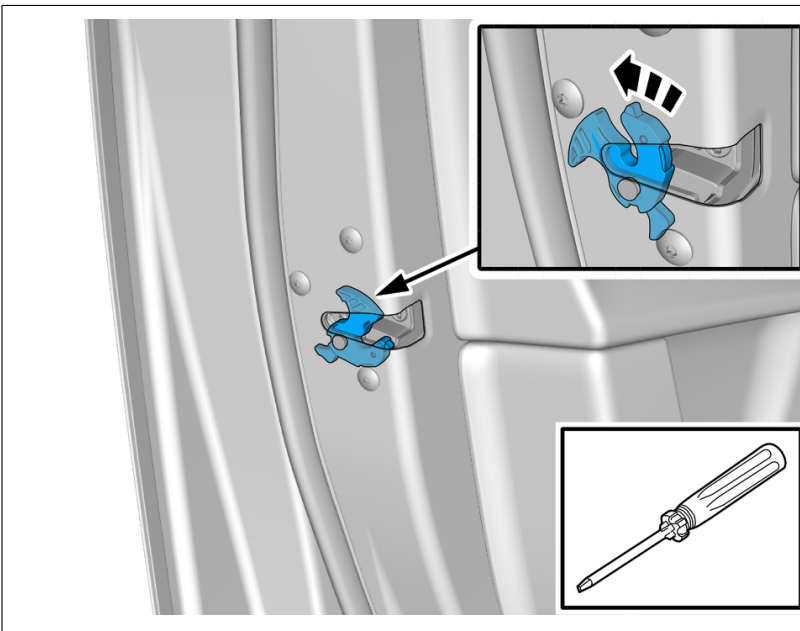
Removal

Applies to front door

Remove handle outer door front , refer to:
Removal, replacement and installation
8 - Body and interior
83 - Doors and lids
834 - lock, handle



Note! Loosen the screw clockwise.

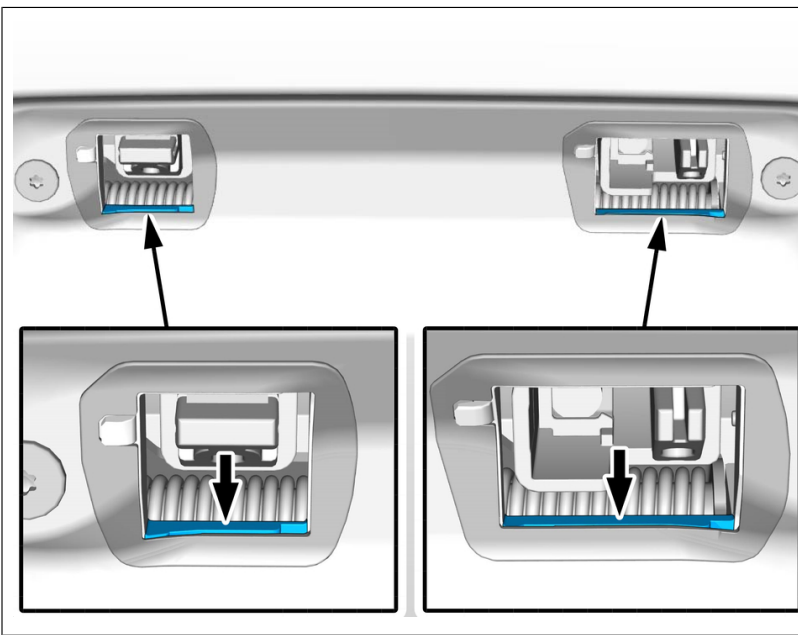


Rotate marked component according to image.

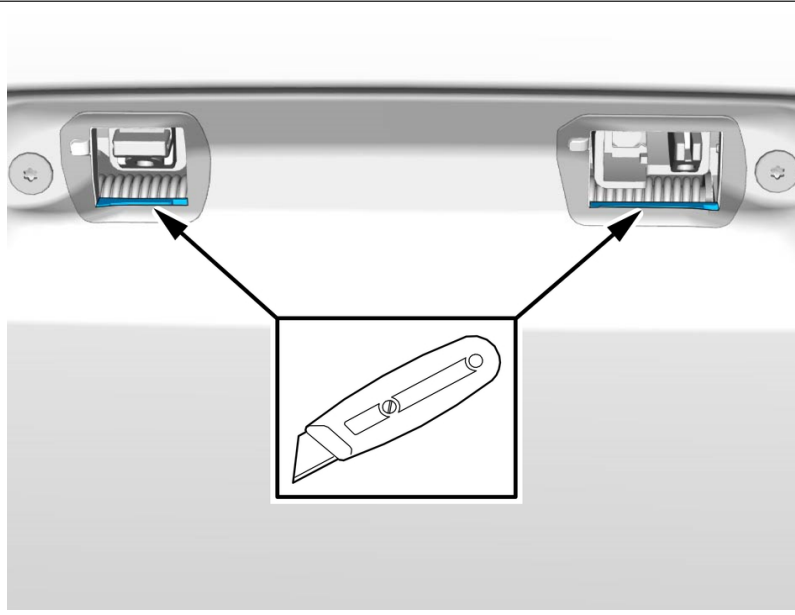
Use: Screwdriver



Lock the vehicle.



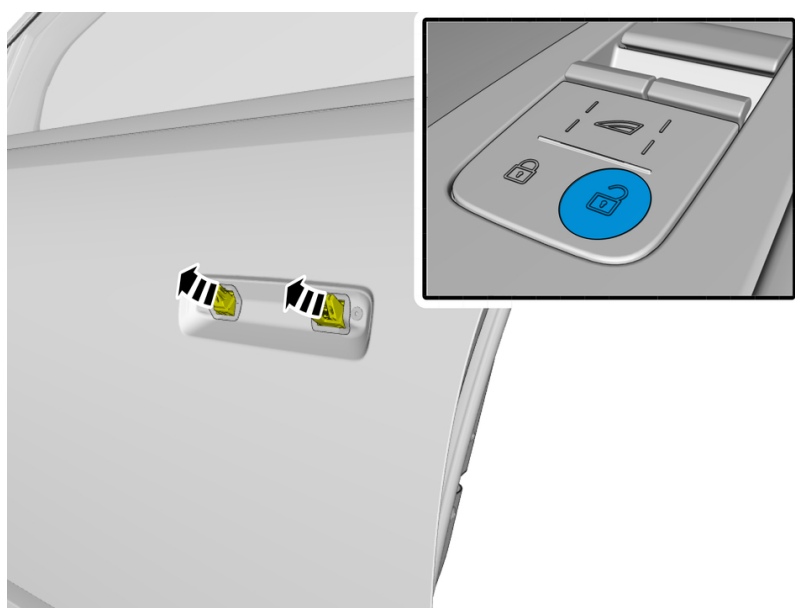
Note! Orientation view



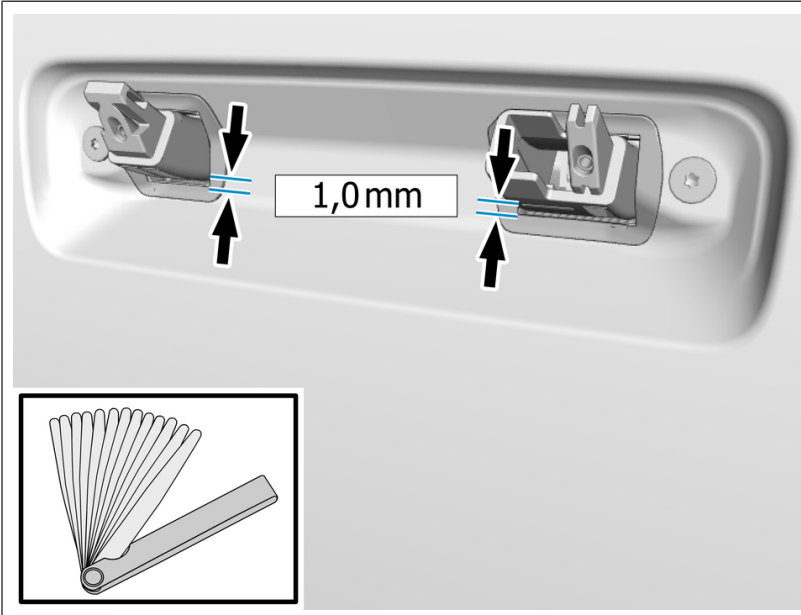
Caution! Cut carefully to avoid unintentional damage or personal injury.

Remove the marked parts.

Use: Carpet knife



Unlock the vehicle.

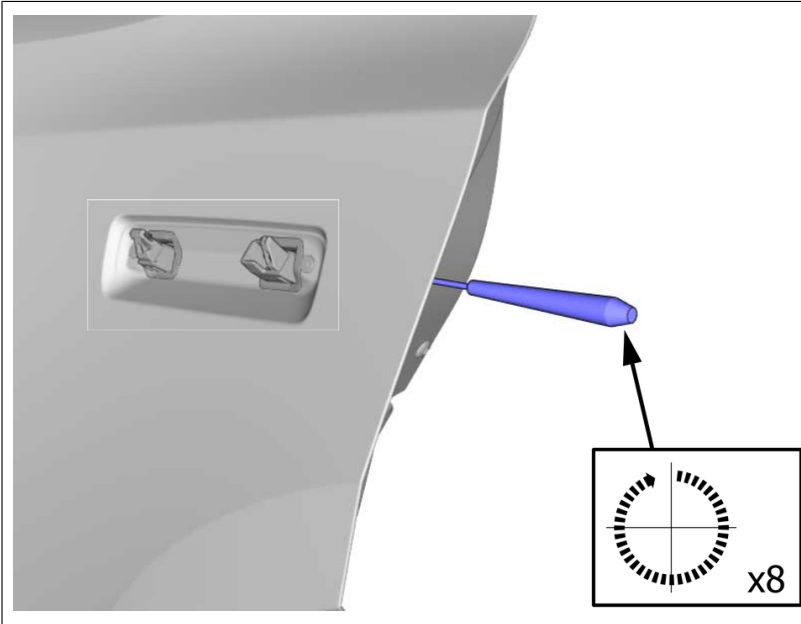


Check the value.

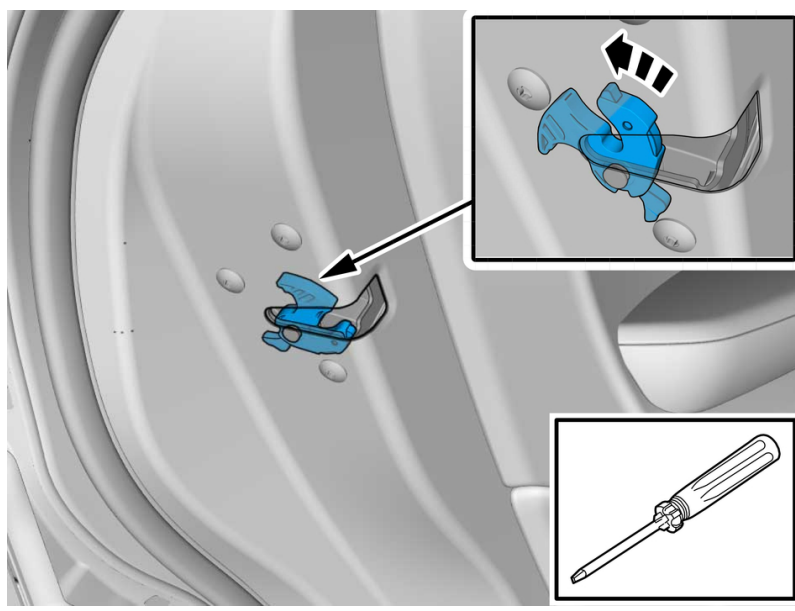
Use: Feeler gauge

Applies to rear door

Remove outer handle, rear door , refer to:
Removal, replacement and installation
8 - Body and interior
83 - Doors and lids
834 - lock, handle

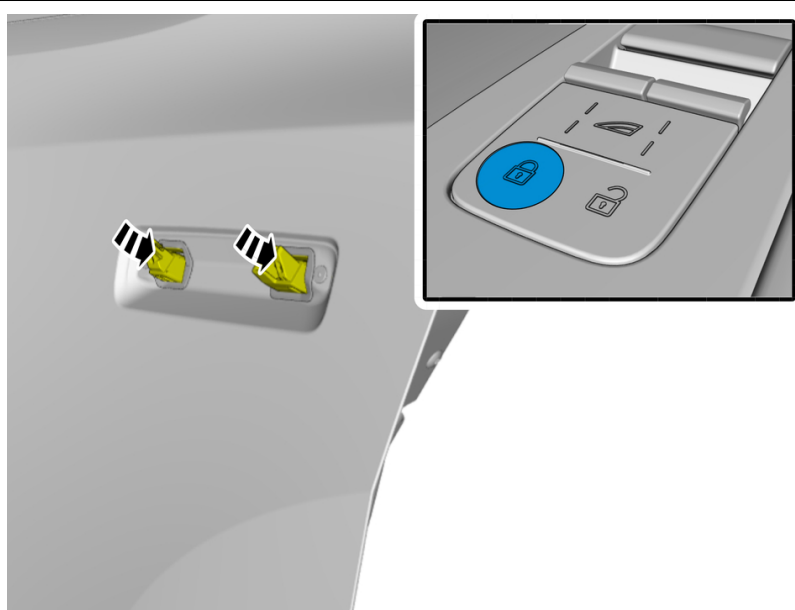


Note! Loosen the screw clockwise.

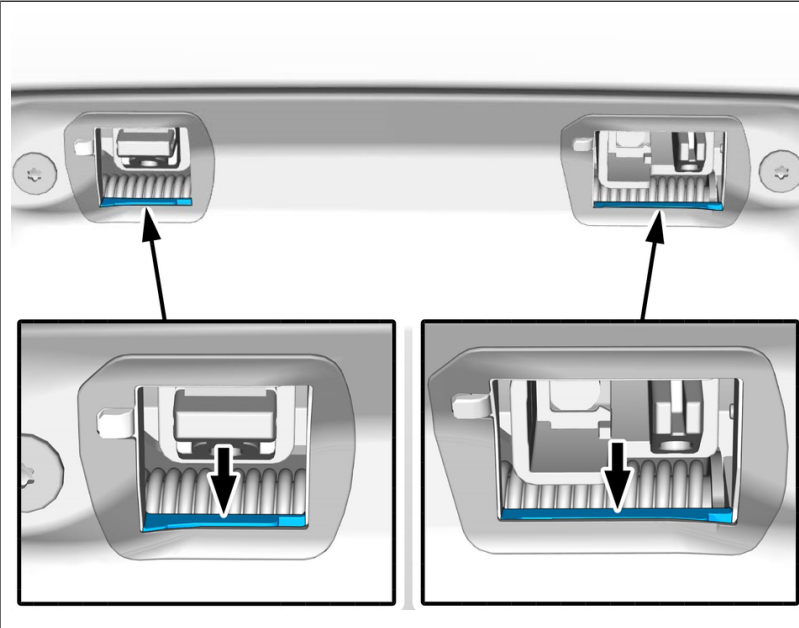


Rotate marked component according to image.

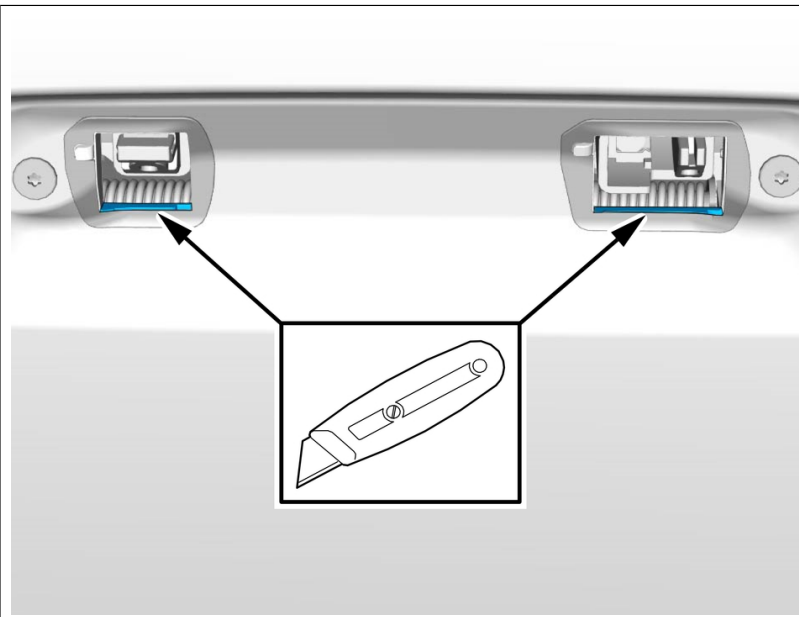
Use: Screwdriver



Lock the vehicle.



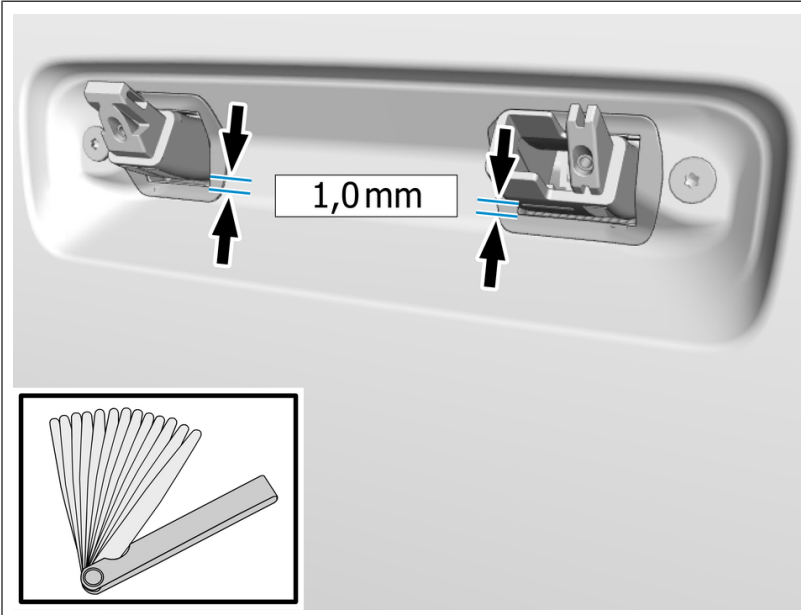
Note! Orientation view



Caution! Cut carefully to avoid unintentional damage or personal injury.

Remove the marked parts.

Use: Carpet knife



Check the value.

Use: Feeler gauge

Installation

To install, reverse the removal procedure.