



VEHICLE - QUALITY BULLETIN

MARCH 19, 2025

Can-Am On-Road

BULLETIN 2025-2 | REVISION A

CAMPAIGN N° 2025-0002

NOTE

Repair only if described symptoms exist or are noticed.

Can-Am Origin LH Mirror Mounting Clamp Replacement

MODEL YEAR	MODEL	ENGINE
MY25	Origin	Rotax E-Power

IMPORTANT

When receiving a vehicle for service:

- Always lookup the vehicle identification number (VIN) on the Knowledge Center to ensure all required recalls are performed.
- Always connect the vehicle to the BRP diagnostic software (BUDS) to ensure all required updates are performed.

PROBLEM

Threads on the LH rear view mirror bracket may be damaged, preventing proper mirror installation at PDI.

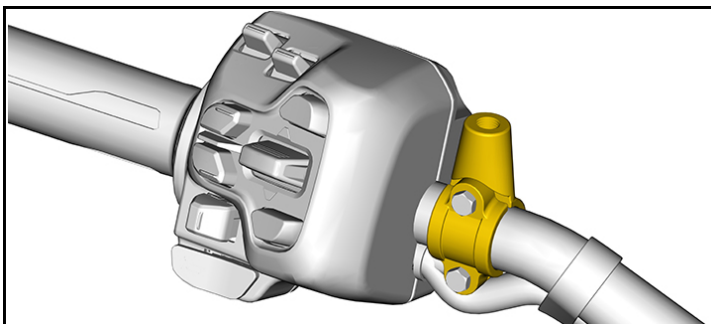
SOLUTION

Replace the clamp with a new one.

REQUIRED PARTS

Order the parts through the regular channel.

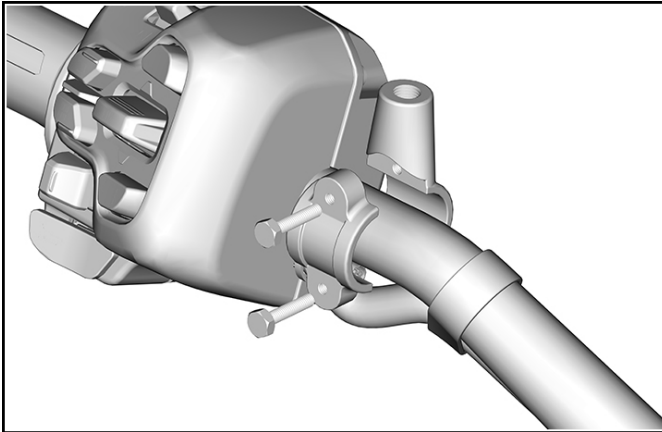
DESCRIPTION	PART NUMBER	QTY
Mirror mounting clamp ass'y	709403060	1





CORRECTIVE ACTION

1. Remove and discard the damaged clamp and screws.

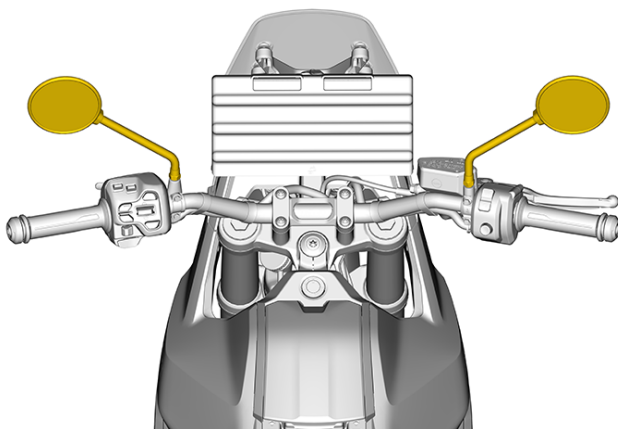


2. Install the new clamp.
3. Tighten to specification.

TIGHTENING TORQUE	
Mirror clamp screws	2.5 N•m ± 0.5 N•m (22 lbf•in ± 4 lbf•in)

4. Proceed with the *Mirror Installation* in the PDI bulletin.

NOTE
LH threads are used on the LH side. Turn counterclockwise to tighten the LH side mirror.



For claiming procedure, refer to the online *Dealer/Distributor Warranty Guide*.

WITH BOSSWEB

CLAIM DETAILS	
Product Line	Motorcycle
Unit Model Year	2025
Campaign/Bulletin/Description	2 / 2025-2 / LEFT MIRROR CLAMP
*Action	
Inspect <input type="checkbox"/>	Repair <input checked="" type="checkbox"/>
Total Labor Time Paid	0.2 hour
Expiration Date	April 30, 2027

WITH WARRANTY ON DEMAND

CLAIM DETAILS	
Claim Type	Unit Campaign
Serial Number	Enter Serial Number
Warranty Campaign	Select <i>LEFT MIRROR CLAMP / BULLETIN 2025-2 / 2WV-2025-0002</i> from the drop-down list
Date of Repair	Repair date
Total Labor Time Paid	0.2 hour
Expiration Date	April 30, 2027

WARRANTY

Submit a warranty claim using the following information.