



WARRANTY BULLETIN QUALITY

Campaign no.: 2022-0009
2022-0011

January 11, 2023

Subject: **Installation of the RF D.E.S.S. Post and/or Key
with the Programmable Functions**

No. **2022-17**

MODEL YEAR	MODEL	ADMISSIBLE UNITS
2022 (only some specific VIN)	Ryker™	In Knowledge Center: <ul style="list-style-type: none"> - Enter the VIN - Select the <i>DOCUMENTS AND ARTICLES</i> tab - Select filters: <ul style="list-style-type: none"> • Warranty in <i>ARTICLE TYPE CATEGORIES</i> Warranty Bulletin in <i>ARTICLE TYPES</i>

IMPORTANT

– When a vehicle comes in for service, always type the VIN in Knowledge Center to check for pending campaigns or alerts.

– When performing any work on a vehicle, it is good practice to connect it to BUDS2 to ensure that all needed updates are done.



PROBLEM

Some vehicles were manufactured with a D.E.S.S. post and/or key without the programmable functions.

SOLUTION

IMPORTANT

Please refer to the Dashboard "VIN list for missing anti-theft function" to determine which units arrived at your dealership without the programmable D.E.S.S. functions, and to confirm which campaign applies to each unit.

VIN list for missing anti-theft function (TST 138861)

Product line

Model year

Model

VIN

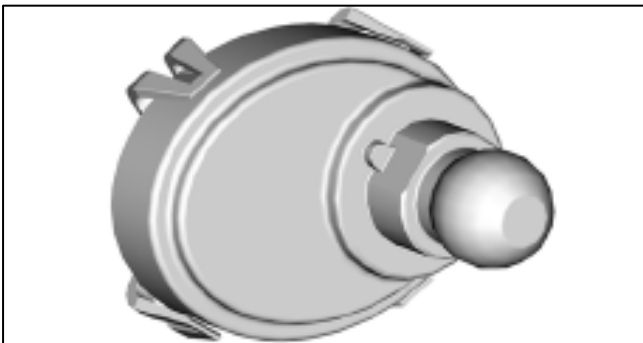
Dealer

Vehicles without anti-theft function

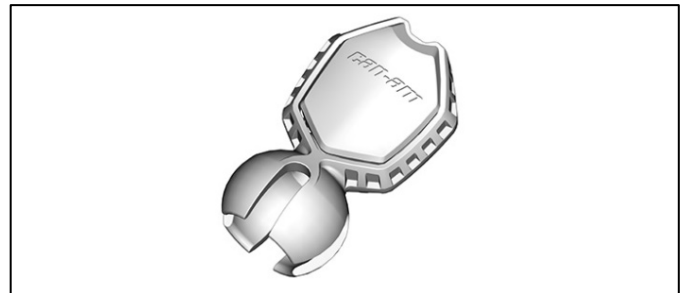
Product	Key w/o anti-theft	Normal Key	Total
<input checked="" type="checkbox"/> On-Road			
DESS post w/o anti-theft			

Product	VIN	Model	Model number	DESS post type	DESS key type
On-Road				DESS post w/o anti-theft	Key w/o anti-theft
On-Road				DESS post w/o anti-theft	Key w/o anti-theft
On-Road				DESS post w/o anti-theft	Normal Key
On-Road				DESS post w/o anti-theft	Key w/o anti-theft
On-Road				DESS post w/o anti-theft	Key w/o anti-theft

To restore the programmable functions of the RF D.E.S.S. post and/or RF D.E.S.S. key, carry on with this bulletin's procedure.



RF D.E.S.S. POST



RF D.E.S.S. KEY

NOTE: MY22 Vehicles have been specially produced with a parking lock lever which prevents the unintended use of the vehicle.

REQUIRED PARTS

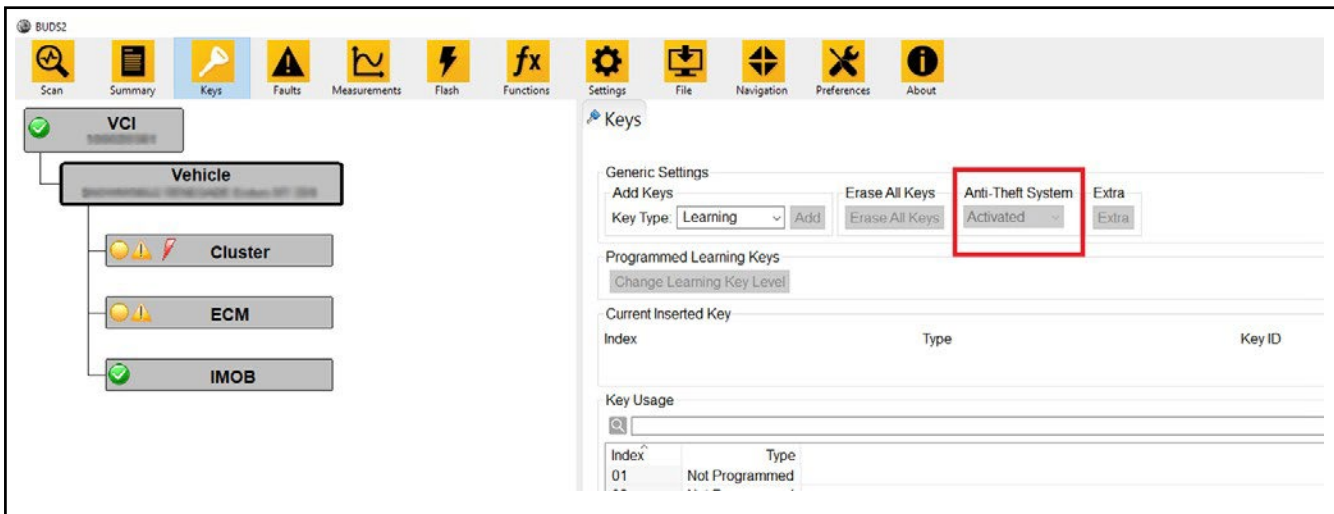
Order the parts through the regular channel.

Your order will be released progressively, once a week, to ensure an even distribution across the network.

DESCRIPTION	PART NUMBER
RF D.E.S.S. Post	515178840
RF D.E.S.S. Key <i>(if required)</i>	710009109

CORRECTIVE ACTION

1. Always make sure you have the latest BUDS2 version installed.
2. If required, install the RF D.E.S.S. Post and / or RF D.E.S.S. Key on the vehicle.
Refer to *DIGITALLY ENCODED SECURITY SYSTEM (D.E.S.S.)* subsection in the appropriate **online VEHICLE SERVICE MANUAL**.
3. Connect the vehicle to BUDS2.
4. Select the “Keys” tab.
5. Ensure the “Anti-Theft System” is Activated.



6. Program the key.

WARRANTY

Submit a warranty claim using the following information.

For claiming procedure, refer to the **online DEALER/DISTRIBUTOR WARRANTY GUIDE**.

RF D.E.S.S. Post Only

Product Line	Roadster
Unit Model Year	2022
Campaign/Bulletin/Description	9 / 2022-17 / DESS POST INSTALLATION
*Action	
Inspect	Repair
<input type="checkbox"/>	<input checked="" type="checkbox"/>
Total Labor time paid	0.4 hour
Expiration date	December 31, 2023

RF D.E.S.S. Post and RF D.E.S.S. Key

Product Line	Roadster
Unit Model Year	2022
Campaign/Bulletin/Description	11 / 2022-17 / DESS POST & KEY INSTALLATION
*Action	
Inspect	Repair
<input type="checkbox"/>	<input checked="" type="checkbox"/>
Total Labor time paid	0.4 hour
Expiration date	December 31, 2023