

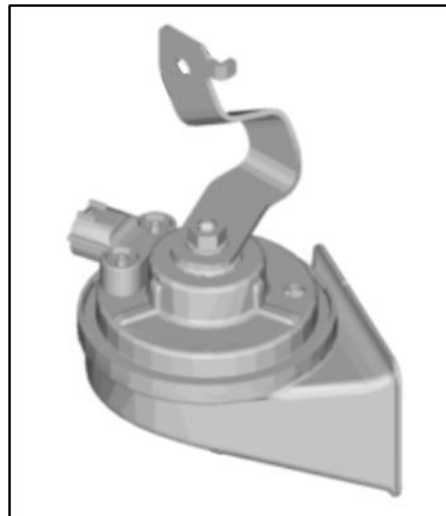


GROUP	MODEL
BOD	2020-2025MY Soul (SK3)
NUMBER	DATE
337	March 2025

## TECHNICAL SERVICE BULLETIN

SUBJECT: **HORN ASSEMBLY INSPECTION/REPLACEMENT (WTY041)**

This bulletin provides information associated with the 'Warranty Extension Program' (WTY041) to inspect and, if necessary, replace the horn assembly on certain 2020-2025MY Soul (SK3) vehicles produced from November 15, 2018 through August 13, 2024. The affected vehicles may experience a distorted or an inoperative horn sound caused by corrosion and dust inside the horn assembly. The warranty coverage for repairs related to the horn assembly have been extended from 5 years / 60,000 miles to 10 years / 120,000 miles, whichever comes first, starting from the date the vehicle was first put into service. Follow the procedure outlined in this publication to inspect and, if necessary, replace the horn assembly with a new one.



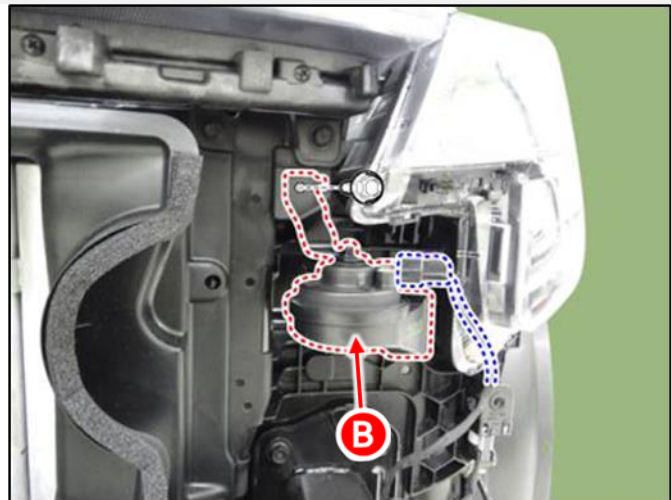
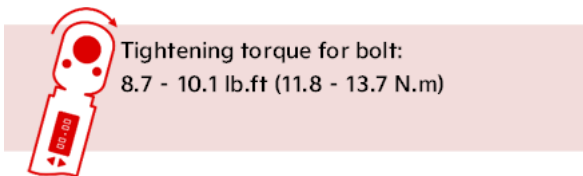
### Inspection Procedure:

- Press the Horn Pad (A) to confirm normal operation:
  - If the horn operates **normally**, this TSB does not apply. **Claim inspection only labor op 242200R0.**
  - If the horn is **inoperative** or the **tone is distorted**, proceed to the 'Replacement Procedure' below.



### Replacement Procedure:

- Replace the Horn (B) by referring to "Body Electrical System → Horn → Repair procedures" in the applicable Shop Manual on KGIS.



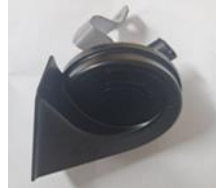
- Reinstall all removed parts in the reverse order of removal.
- Confirm normal operation.

SUBJECT:

**HORN ASSEMBLY INSPECTION/REPLACEMENT (WTY041)****AFFECTED VEHICLE RANGE:**

Model	Production Date Range
Soul (SK3)	November 15, 2018 to August 13, 2024

**REQUIRED PART:**

Part Name	Part Number	Figure	Qty.
Horn Assembly	96611 K0020QQK		1

**Note:** The replacement part numbers will require a VIN entry for parts ordering. **DO NOT** order these parts for stocking purposes, related to this field fix. Supply is very limited. Until supply stabilizes, please confirm part availability before scheduling customers. Please be sure to expedite warranty claim filing.

**WARRANTY INFORMATION:**

N Code: I11 C Code: ZZ3

Model Year	Claim Type	Causal P/N	Qty.	Repair Description	Labor Op Code	Op Time	Replacement P/N	Qty.
2020 2021	W	96611 K0000	0	Inspection Only	242200R0	0.1 M/H	N/A	0
2022 2023 2024 2025		96611 K0020	0					
2020 2021		96611 K0000	0	Inspection + Horn Assembly Replacement	242200R1	0.6 M/H	96611 K0020QQK	1
2022 2023 2024 2025		96611 K0020	0					

**Note:** Refer to [Warranty Extension 2501](#) for warranty claim procedures.

