

What can we help you find?

Search

[Help Center Home](#) / [Article](#)

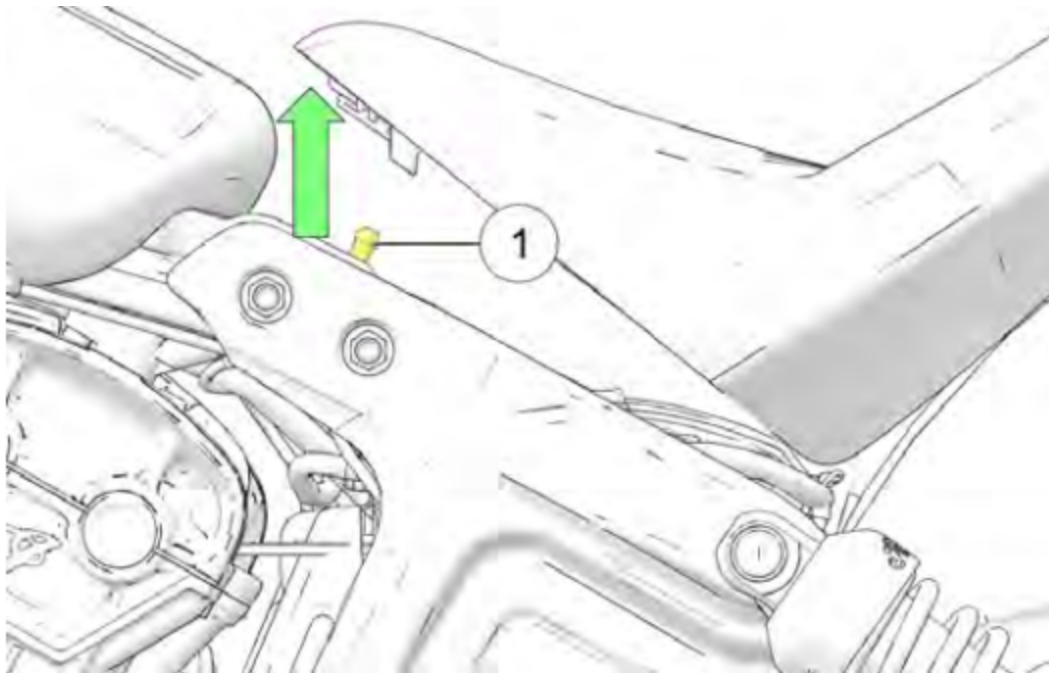
02/28/2025

## 2015-2024 Scout Seat Removal and Installation

Follow the instructions for your bike model and year to remove the driver's seat on your Indian Scout motorcycle.

### Model Year 2022 to 2024 Scout Rogue/Scout Rogue Sixty

1. Grasp the front edge of the seat and pull upward abruptly to disengage the seat base grommet from the seat mount stud (1).



2. Lift the seat to disengage the seat base from the rear frame.

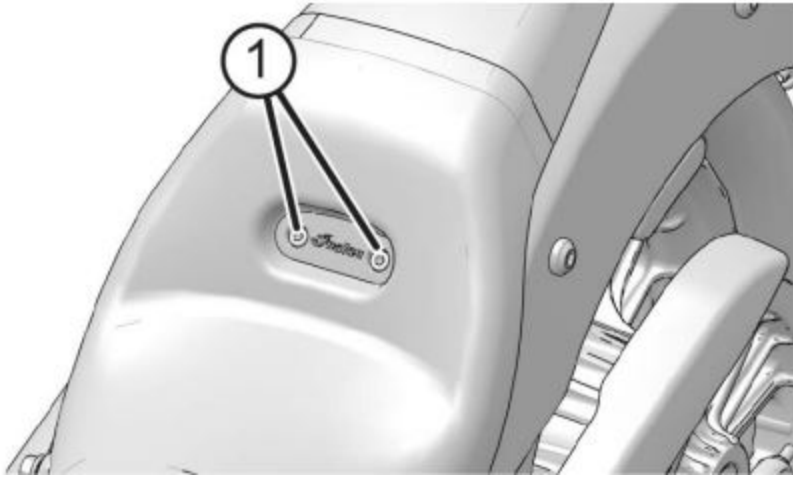
3. To reinstall the seat, make sure the tabs on the seat base fully engage the rear frame section, then press downward firmly at the front edge of the seat to snap the stud to the seat base grommet.

### Model Year 2020 to 2024 Scout Models

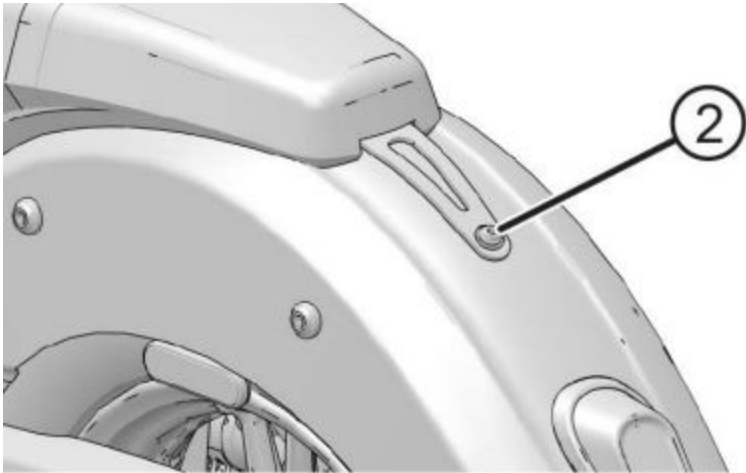
To remove the seat:

---

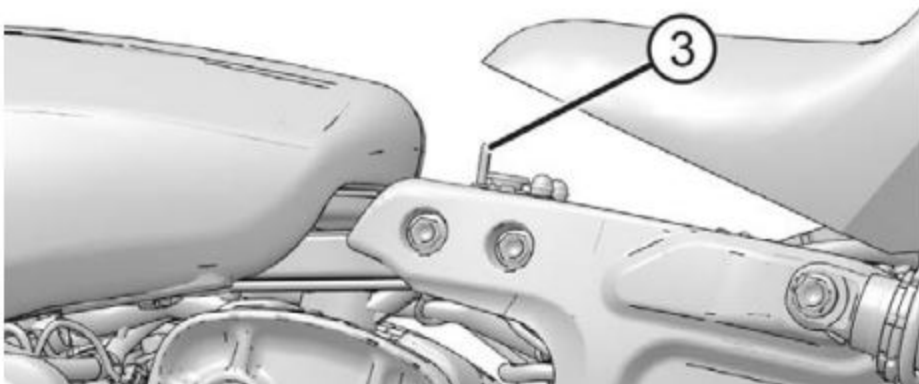
1. Remove the bolts on the back of the seat (1) using the uni-tool included in the tool kit.



2. Remove the bolt behind the seat (2) using the included uni-tool.



3. Grasp the front edge of the seat and pull upward abruptly to disengage the seat base grommet from the seat mount stud (3).



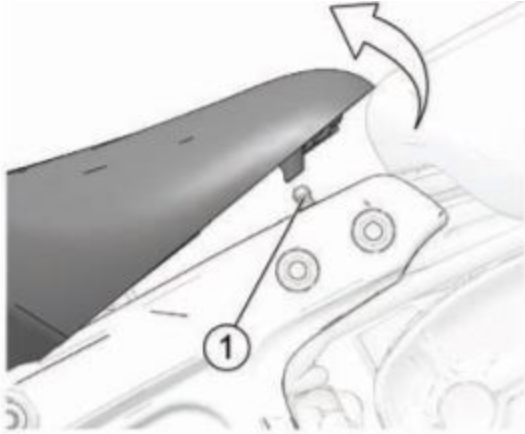
To reinstall the seat, reverse the removal process.

**Model Year 2018 to 2024 Scout Bobber/Scout Sixty and Model Year 2015-2019 Scout Models**

---

To remove the driver's seat on Scout, Scout Bobber, Scout Bobber Sixty, Scout Sixty and Scout Bobber Twenty:

**1.** Grasp the front edge of the seat and pull upward abruptly to disengage the seat base grommet from the seat mount stud (1).



**2.** Lift the seat and pull it slightly rearward to disengage the seat base from the rear retainer (2).



**3.** To re-install the seat: Make sure the seat base engages the rear retainer (2) and then press downward firmly at the front edge of the seat to engage the stud to the seat base grommet. If the seat is not aligned in a straight-ahead position, the grommet is not engaged to the stud. Make sure the grommet is fully engaged to the stud before operating.



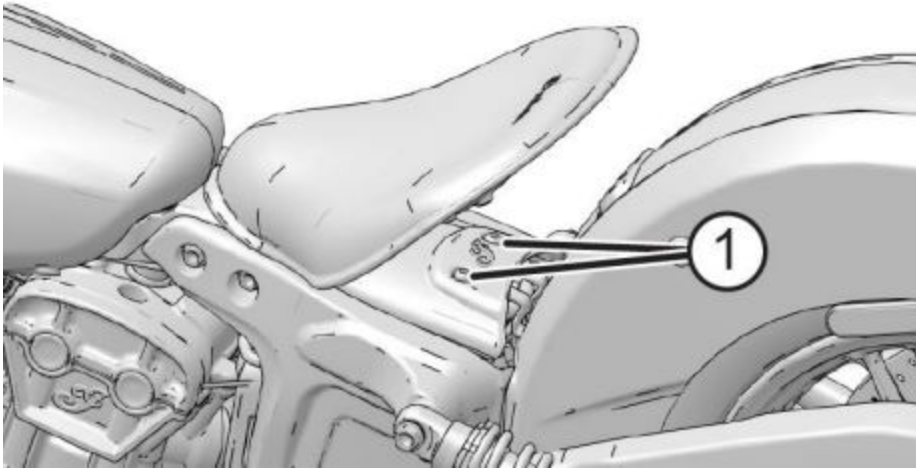
**Warning:** If the seat is not aligned in a straight-ahead position, the grommet is not engaged to the stud. Make sure the grommet is fully engaged to the stud before operating.

---

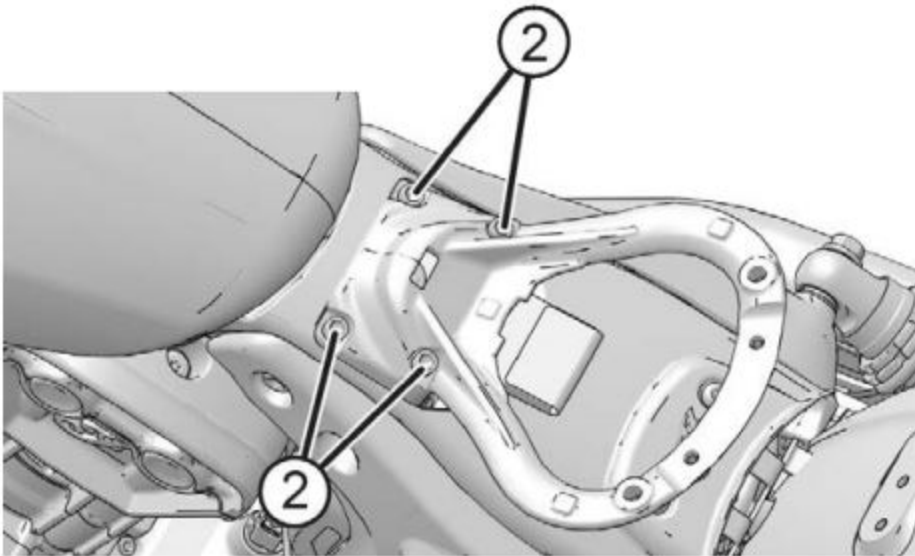
## Model Year 2020 Scout Bobber Twenty and Scout 100th Anniversary Edition

Use caution to avoid contact with the fuel tank when removing the seat. To remove the seat:

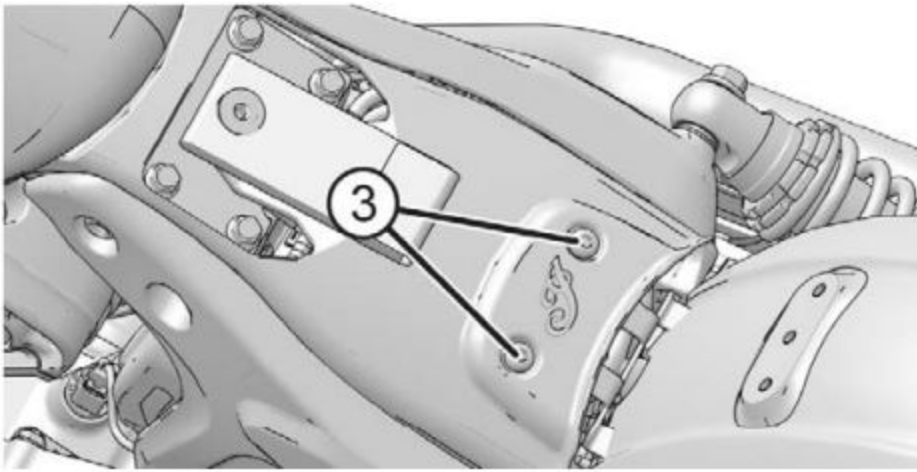
**1.** Remove the two bolts (1) holding the seat to the seat frame using the uni-tool included in the tool kit.



**2.** Remove the four bolts (2) holding the seat frame to the bike.



**3.** If trying to access the battery, remove the two bolts (3) holding the cover to the bike.



To reinstall the seat, reverse the removal process.

For more information about your motorcycle, consult your [Owner's Manual](#).

For more seat options and accessory seat installation instructions, view the full line of [Indian Motorcycle seats](#).

To find replacement parts, view the [online parts catalog](#).

*Unless noted, trademarks are the property of Indian Motorcycle International, LLC*

© 2022 Indian Motorcycle International, LLC

Was this article helpful?

- Yes, it answers my question
- No, it's missing information or visuals
- No, the instructions are unclear
- No, What are the next steps?
- No, I'm experiencing a technical error
- Other

---

\* [-] **How can we improve this article? We'd love to hear your suggestions**

Tell us what you would like to see in this article

Send

---