

## VAH Hood Tilt Switch Remote Start

**Service Category** Service

**Section** Function Group 364

**Technician Skill Level** A

**Market** North America

### Applicability

**VOLVO**

Years	Models
2018-2025	VAH

### Introduction

Some 2018-2025 Volvo VAH model trucks may experience starting issues due to the hood tilt switch. For these trucks, follow the repair instructions below to reposition the switch away from the bracket using washers and replace the mounting hardware with longer screws.

### Production Change Information

This bulletin applies to vehicles built within the specified production changes below.

Brand	Engine	Emission Level	Starting Build Date	Ending Build Date
Volvo	D11, D13	EM-USA17, EM-USA21	16-January-2017	1-May-2024

### Warranty Information

<b>This repair is covered by an authorized Service Program. Reimbursement is obtained through the normal claim handling process.</b>		
Claim Type (used only when uploading from the Dealer Bus. Sys.)		<b>B</b>
<b>Main Labor Code</b>	<b>Description</b>	<b>Hours</b>
3646-03-03-01	Safety Sensor, hood, replacement	1.0
<b>Causal Part</b>	<b>23176247</b>	
<b>SCC Authorization Code</b>	<b>S4408</b>	
<b>Expiration Date</b>	<b>February 28, 2026</b>	

## VAH Hood Tilt Switch Remote Start

---

### Parts Information

Part number	Part name	Quantity
994785	Screw	2
994847	Washer	4

### Required Tools & Equipment

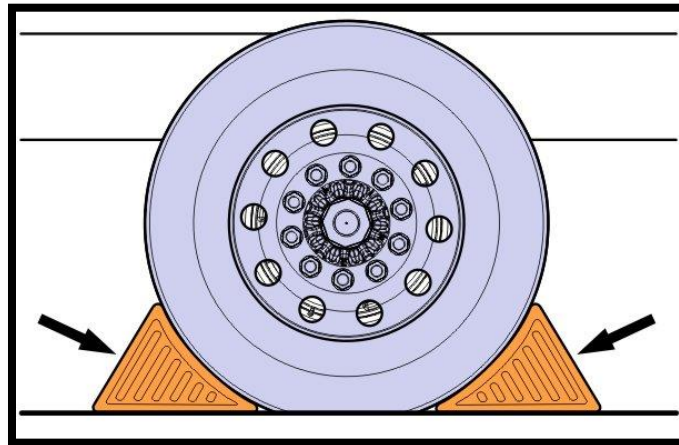
- None

### Calibration Information

- None

### Repair Procedure

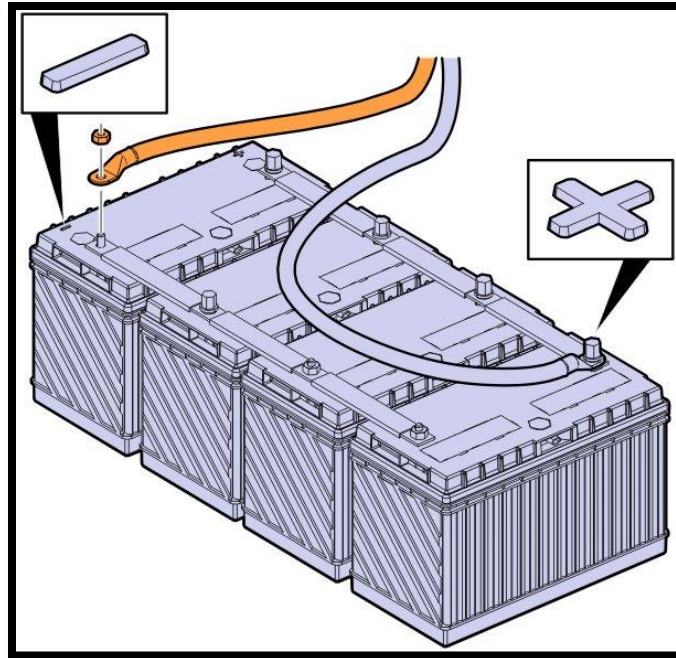
1. Park the vehicle on a level surface with the steering wheel in the straight-ahead position.
2. Apply the parking brake.
3. Please the gear lever in neutral.
4. Install wheel chocks.



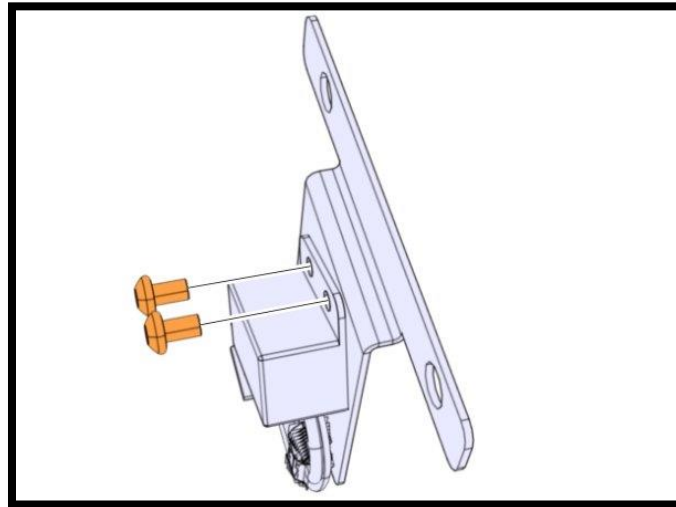
5. Disconnect the cable negative terminal.

## VAH Hood Tilt Switch Remote Start

---



6. Unlatch and raise the hood.
7. Remove and discard the two switch mounting screws.



8. Install the new longer switch mounting screw **994785**.
9. Stack two washers **994847** on each screw making sure the washers are between the switch and the bracket.

## VAH Hood Tilt Switch Remote Start

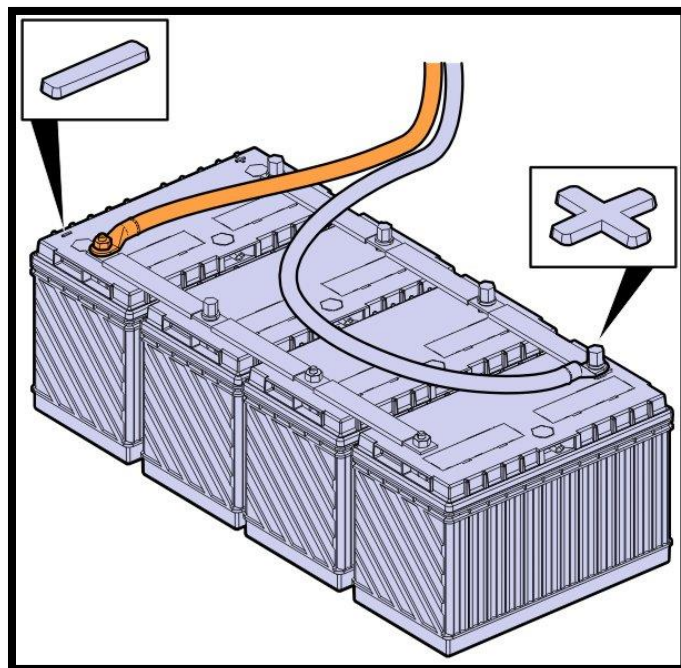


10. Tighten the screws.

Tightening torque	
M,6 Bolt	6 ±1 Nm (4 ±1 lb <sub>r</sub> -ft)

11. Lower and latch the hood.

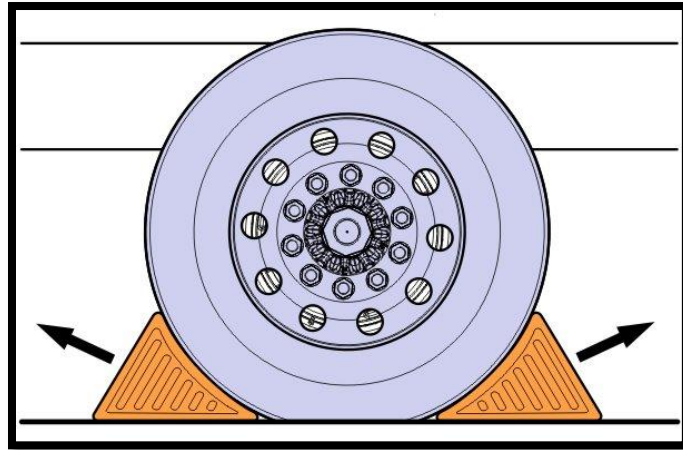
12. Connect the cable to the negative terminal.



## VAH Hood Tilt Switch Remote Start

---

13. Remove the wheel chocks.



14. Release vehicle back to service.