

MAS004554 MCL 25-07

Circular Letter

FROM: Maserati TSO

TO: Maserati Network



Maserati

PERSONAL SERVICE LAB

MASTERS OF CARE

Levante Center Console Parts Serviceability

DATE: FEBRUARY 14, 2025

MODEL: (M161) Levante (MY19 to Newer)



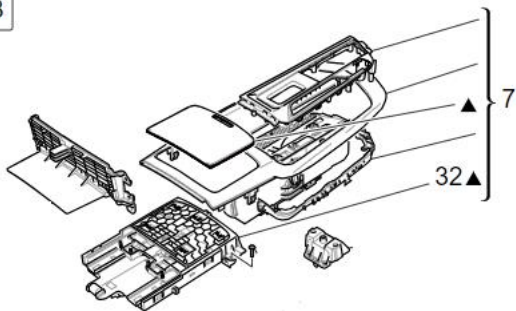
Dear Partners,

This communication is intended to provide important information on the serviceability of the Central Tunnel Moulding installed on Levante vehicles. From now on, it is not necessary anymore to replace the complete Central Tunnel Moulding but its single components will be available as spare parts.

Components Details

The following components in position #7 will be no longer available:

▲ = 33

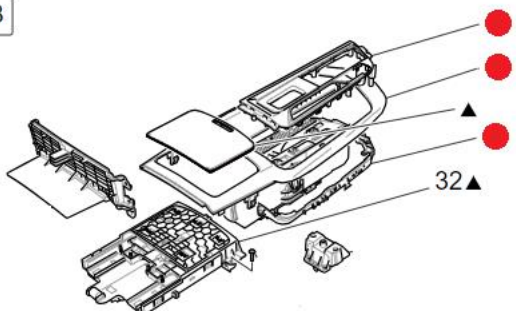


- 670275577 – CARBON TUNNEL GLOVE COMPARTMENT LHD
- 670275578 – CARBON TUNNEL GLOVE COMPARTMENT RHD
- 670275579 – BLACK PIANO TUNNEL GLOVE COMPARTMENT LHD
- 670275580 – BLACK PIANO TUNNEL GLOVE COMPARTMENT RHD
- 670275583 – 3D CARBON FIBER TUNNEL GLOVE COMPARTMENT LHD
- 670275584 – 3D CARBON FIBER TUNNEL GLOVE COMPARTMENT RHD
- 670275581 – HIGH GLOSS TUNNEL GLOVE COMPARTMENT LHD
- 670275582 – HIGH GLOSS TUNNEL GLOVE COMPARTMENT RHD

The components in position #32 will remain available.

The following components will be available as a spare part:

▲ = 33



These P/N are installed on Levante starting from MY19. Please always refer to the Technical Documentation for the latest updates or contact Maserati Helpdesk.

- 673017051 – CARBON TUNNEL GLOVE COMPARTMENT LHD
- 673017052 – CARBON TUNNEL GLOVE COMPARTMENT RHD
- 673017053 – BLACK PIANO TUNNEL GLOVE COMPARTMENT LHD
- 673017054 – BLACK PIANO TUNNEL GLOVE COMPARTMENT RHD
- 673017055 – 3D CARBON FIBER TUNNEL GLOVE COMPARTMENT LHD
- 673017056 – 3D CARBON FIBER TUNNEL GLOVE COMPARTMENT RHD
- 673017057 – HIGH GLOSS TUNNEL GLOVE COMPARTMENT LHD
- 673017058 – HIGH GLOSS FIBER TUNNEL GLOVE COMPARTMENT RHD
- ▲ 673016884 – CARBON PHONEBOX
- ▲ 673016883 – BLACK PIANO PHONEBOX
- ▲ 673016885 – 3D CARBON PHONEBOX
- ▲ 673016886 – HIGH GLOSS PHONEBOX

Workshop Procedure

The procedures for replacement of the trim plates are published in the Technical Documentation in the section:

09.51.080 TUNNEL TELEPHONE PAN

09.51.142 TUNNEL PHONE TRAY WITH COVER

09.51.123 TUNNEL GLOVE COMPARTMENT

09.51.150 TUNNEL GLOVE COMPARTMENT

Tools

No new Special Tools are needed.