



# TECHNICAL SERVICE BULLETIN

<b>ISSUE DATE:</b>	4/21/2021
<b>SERVICE BULLETIN SUBJECT:</b>	ZX5 Mud Flap Retrofit
<b>VINs or MODELS AFFECTED:</b>	Service Specified Buses
<b>COMPLETE BY:</b>	Next Service Opportunity
<b>SERVICE BULLETIN #:</b>	SC-21-58
<b>LABOR OPERATION CODE:</b>	UB44Z

**NOTICE! It is expected that this process may require up to 2 hours per bus. Please schedule appropriately to minimize vehicle downtime.**

## ZX5 MUD FLAP RETROFIT

### Description

The procedure updates the mud flaps to the latest design.

## Tools/Parts Required

### Tools and Supplies Required:

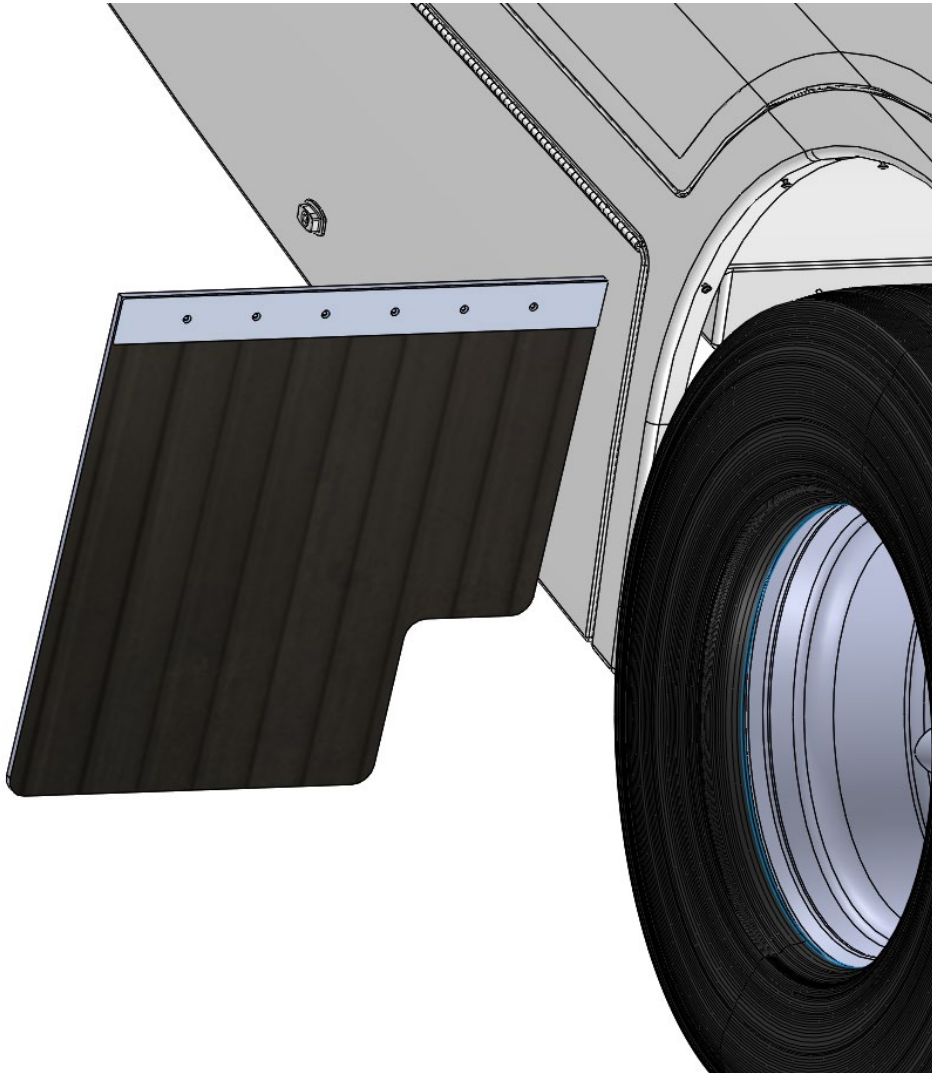
- Ratchet
- 3mm Allen Socket
- Calibrated Torque Wrench
- Shop Towels
- Isopropyl Alcohol

### Kit Parts Required:

- 057404 Service Kit - Rear Mud Flaps (Consisting of)
  - 131-4072 MUD FLAP, REAR, RIGHT 1 EA
  - 131-0739 MUD FLAP, REAR, LEFT 1 EA
  - 125-6229 BRACKET, MUDFLAP, REAR 2 EA
  - 014202-014 SCREW, FLAT, SS, M5-0.8X30X30 14 EA
  - 018166 INSERT, AW SERIES, M5-0.8 14 EA

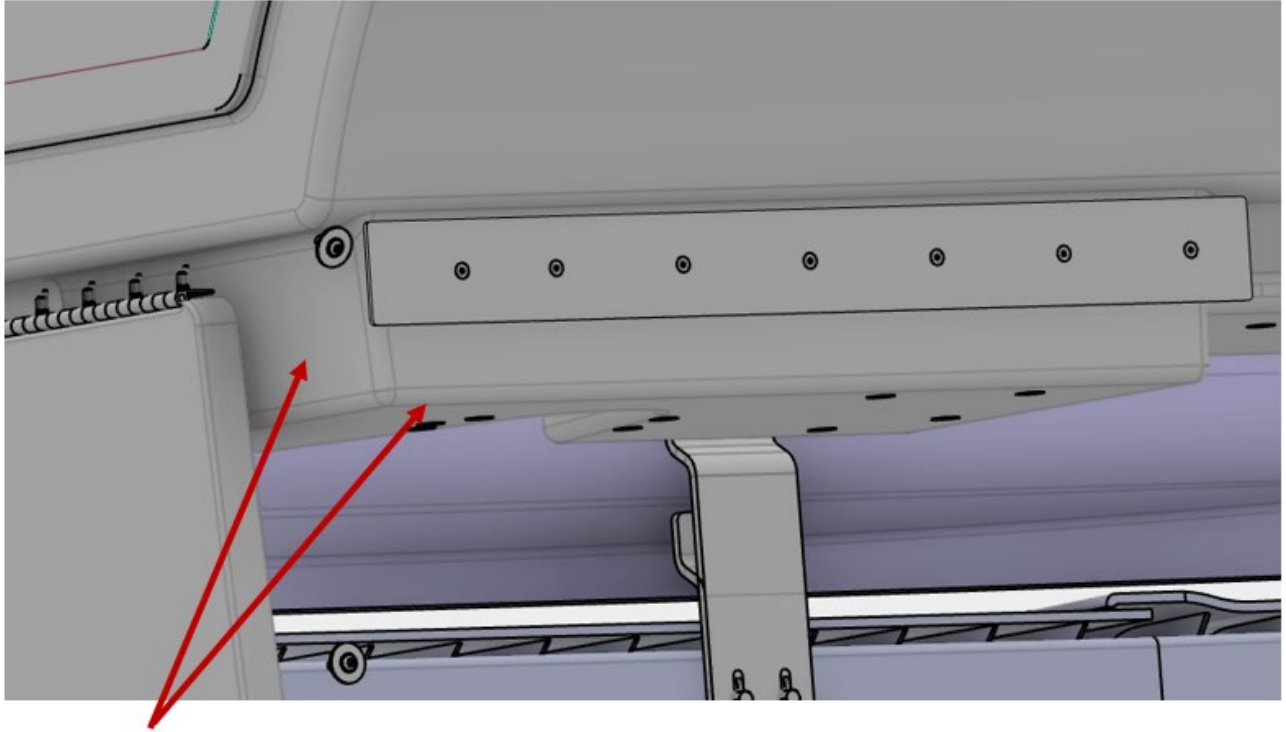
## Procedure

1. Complete the Proterra approved Lockout/Tagout procedure to make the bus safe for work.
2. Using a Ratchet with a 3mm Allen Socket, remove both rear mud flaps and their attaching brackets and discard them.

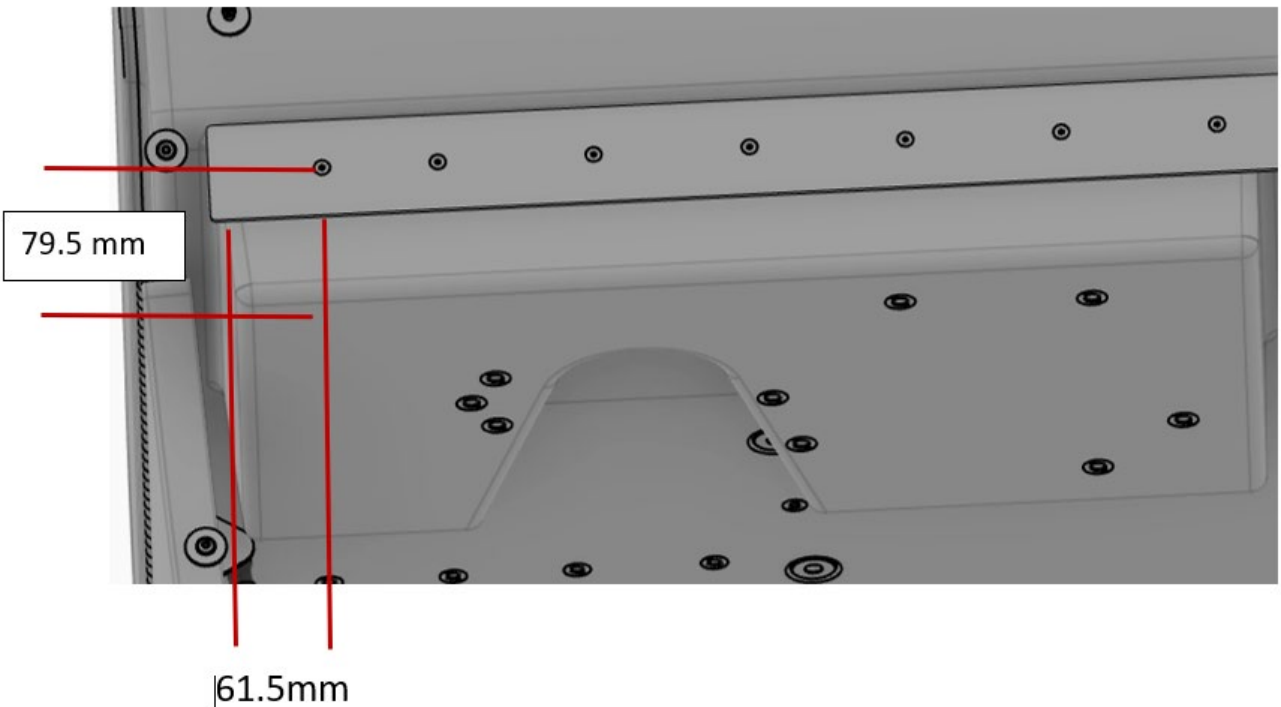


3. Using Isopropyl Alcohol and Shop Towels, clean the areas where the mud flaps were removed.

- Using the following illustrations as a guide, position the Mud Flap Bracket (125-6229) as shown on the curbside rear of the bus.



Measured from these faces.



The 79.5 mm height is constant for all inserts.

- Using a Permanent Marker, mark each hole in the Mud Flap Bracket (125-6229) for drilling.
- Remove the Mud Flap Bracket (125-6229) from the position used for marking.

7. Using a Power Drill with a 7.6mm Drill Bit, drill a hole in each marked location.
8. Using a Rivnut Tool, install an Insert (018166) into each of the marked locations.
9. Using a Ratchet with a 3mm Allen Socket, install the new Mud Flap Bracket (125-6229) and Right Rear Mud Flap (131-4072) using seven M5 Screws (014202-014) onto the Curbside of the bus.
10. Using a Calibrated Torque Wrench with a 3mm Allen Socket, **torque the screws to 17 Inch Pounds.**
11. Repeat the process to install the Left Rear Mud Flap (131-0739) onto the Streetside of the bus.
12. Remove the Lockout/Tagout devices and power on the bus.