



PROTERRA



TECHNICAL SERVICE BULLETIN

ISSUE DATE:	3-25-2021
SERVICE BULLETIN SUBJECT:	Aux Heat Snorkel Retrofit
VINs or MODELS AFFECTED:	Service Specified Buses
COMPLETE BY:	Next Service Opportunity
SERVICE BULLETIN #:	SC-21-50
Labor Operation Code:	VD45Z

NOTICE! It is expected that this process will require 1 hour per bus. Please schedule appropriately to minimize vehicle downtime.

AUX HEAT SNORKEL RETROFIT

Retrofit Description:

This procedure adds a snorkel to aux heat unit.

Tools/Parts Required

Tools and Supplies Required:

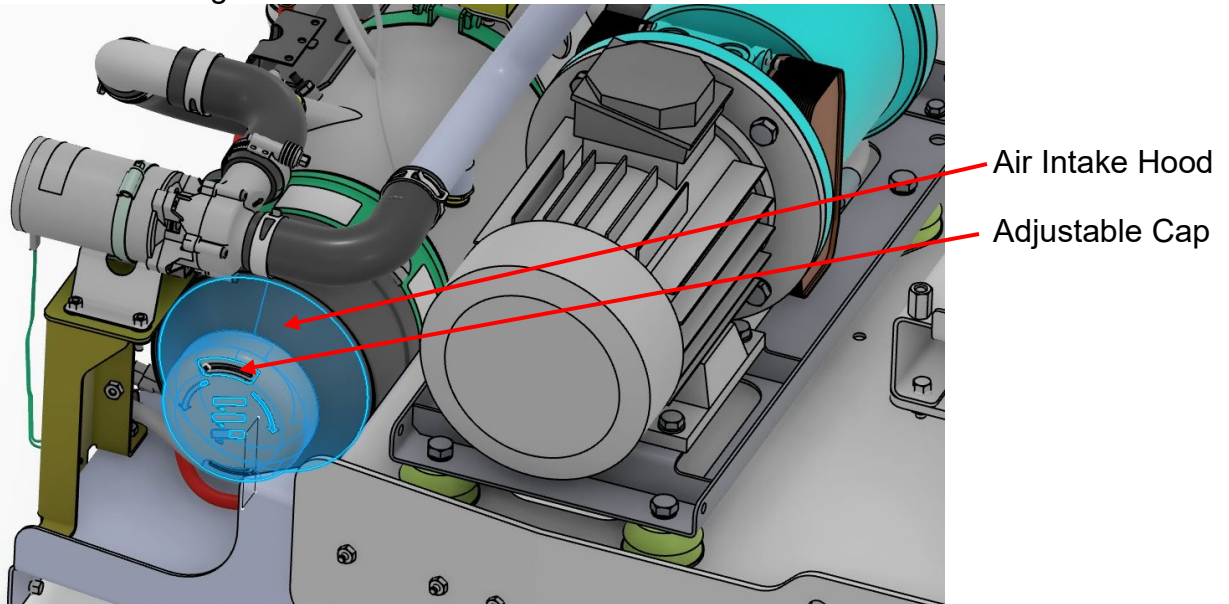
- Approved Safety Knife
- Side Cutting Pliers
- Various Small Tools for Installing the Kit

Parts Required and Included in the kit:

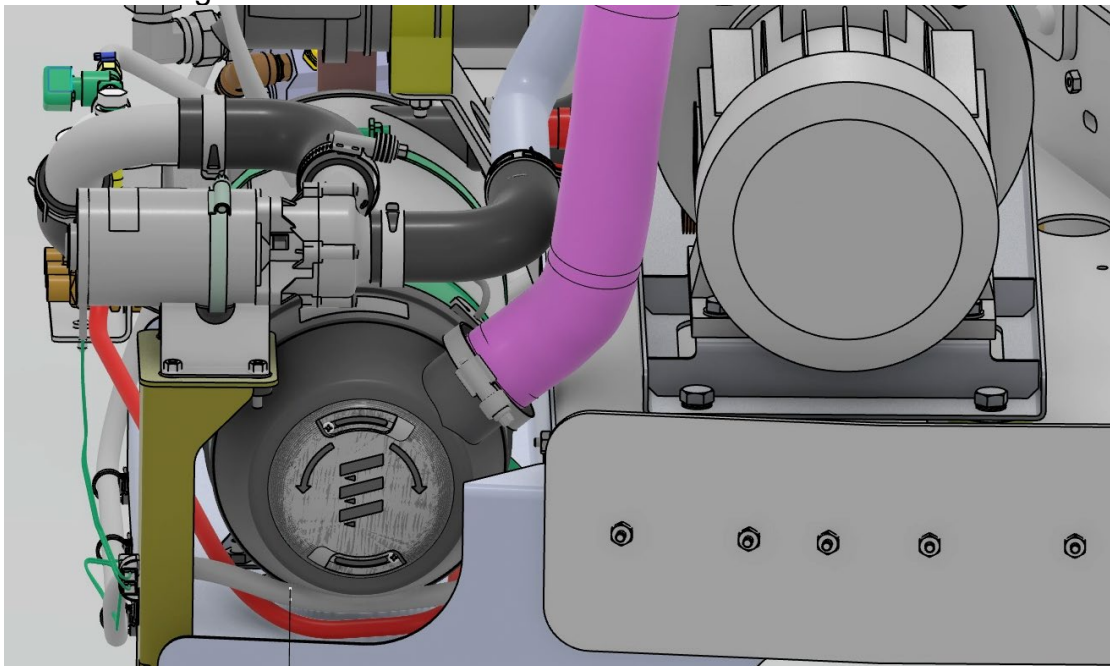
- 131-9909 RETROFIT KIT, SNORKEL, AUX HEAT (Consisting of)
 - 131-9908 SAFETY SCREEN, 60MM, AUX HEAT INTAKE 1 EA
 - 131-9910 HOOD, AIR INTAKE, AUX HEAT 1 EA
 - 131-9913 FLEX HOSE, 60MM, AUX HEAT INTAKE 1 EA
 - 132-0062 CLAMPING CLIP, AUX HEAT INTAKE 1 EA
 - 012138 CABLE TIE, HEAVY DUTY .5WIDE 9.1" BLACK 8 EA
 - 012108 SWIVEL BUNDLE, SPACER 4 EA

Procedure

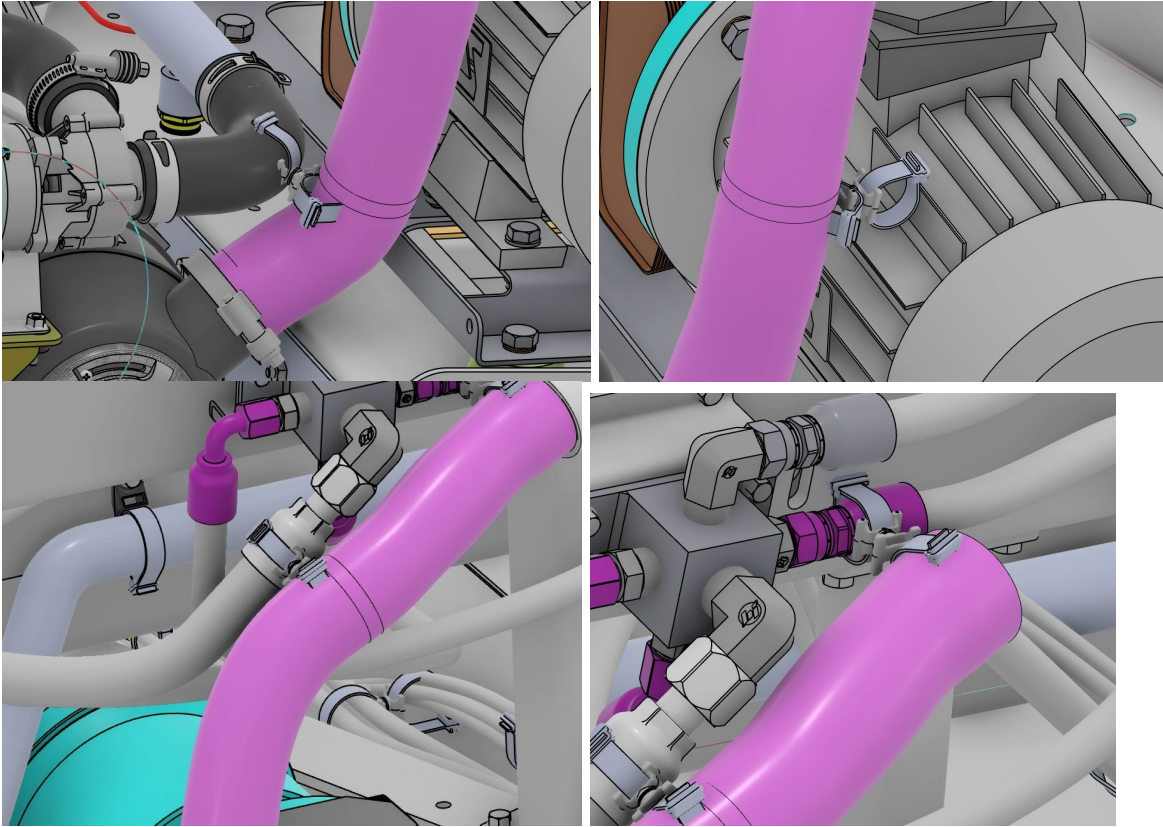
1. Complete the Proterra approved Lockout/Tagout procedure to make the bus safe for work.
2. Open the Trunk Panel and Side Hatch to access the Aux Heat System.
3. Remove the Air Intake Hood from the Heater Unit. Note the orientation of the Adjustable Cap shown in the following illustration.



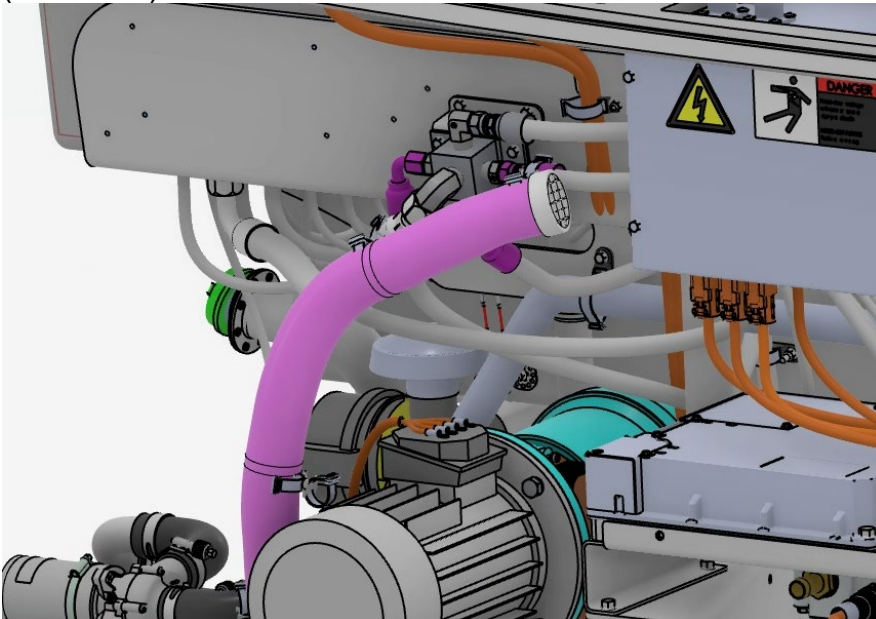
4. Attach the Intake Tube (131-9913) to the Hood (131-9910) using the Clamping Clip (132-0062). Install the Hood and Cap onto the Heater Unit. Clock the Hood so that the Intake Tube is oriented toward the Air Compressor. Ensure that the Tube does not chafe between the subframe wing below and the Coolant Tube above.



5. Secure the Tube (131-9913) using Cable Ties (012138) and Swivel Spacers (012108) in the four locations shown below.



6. Using an Approved Safety Knife, cut the Tube (131-9913) to length. Install the Safety Screen (131-9908) onto the end of the Tube as shown below.



7. Adjust the Height of the Safety Screen (131-9908) if needed.
8. Remove the Lockout/Tagout devices and return the bus to service.