



Service Bulletin


Bulletin No.: 25-NA-013

Date: January, 2025

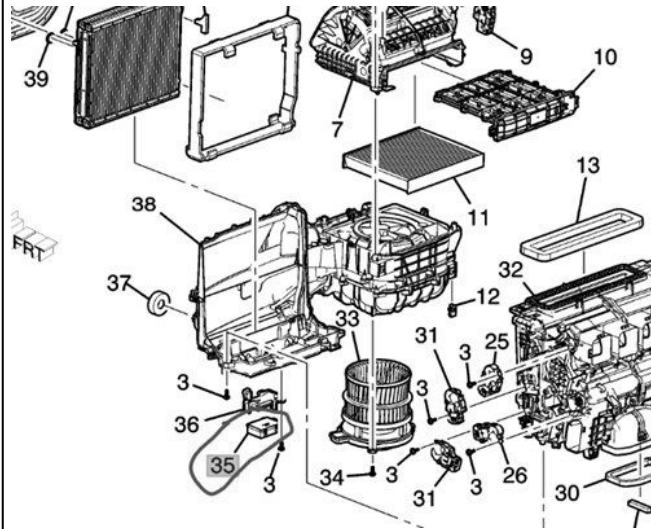
TECHNICAL

Subject: 2nd Row Air Flow Does Not Change Position DTC B1DBE Set

Brand:	Model:	Model Year:		VIN:		Engine:	Transmission:
		from	to	from	to		
Cadillac	Escalade IQ	2025	2025	-	-	All	All

Involved Region or Country	North America
Condition	Some customers may comment on the 2nd row air flow does not change position when commanded from the front or rear HVAC command center. DTC B1DBE Rear Mode Valve Actuator – Right is set current and will not clear.
Cause	The cause of the condition may be an incorrect B357 Inside Ambient Air Quality Particulate Sensor Module was installed on the HVAC case.
Correction	 <p>Inspect the B357 Inside Ambient Air Quality Particulate Sensor Module and look for the presence of a check mark as shown above.</p>

6815218



The module is located in the passenger compartment, behind instrument panel, in the front HVAC wiring harness. 6815219

Important: Service agents must comply with all International, Federal, State, Provincial, and/or Local laws applicable to the activities it performs under this bulletin, including but not limited to handling, deploying, preparing, classifying, packaging, marking, labeling, and shipping dangerous goods. In the event of a conflict between the procedures set forth in this bulletin and the laws that apply to your dealership, you must follow those applicable laws.

Important: This technical service bulletin (TSB) can only be completed by certified repair facilities who have met all specific training, tool, and equipment requirements pertaining to the vehicle Brand and Model serviced. Repairs must be performed by a technician who has successfully completed the required training.

Service Procedure

If there is NO check mark, replace the Inside Ambient Air Quality Particulate Sensor Module. Refer to *Inside Ambient Air Quality Sensor Module Replacement* in Si.

Parts Information

Causal Part	Description	Part Number	Qty
X	Inside Ambient Air Quality Sensor Module	13544927	1

Warranty Information

For vehicles repaired under warranty, use:

Labor Operation	Description	Labor Time
4421500	Inside Ambient Air Quality Sensor Module Replacement	Use Published Labor Operation Time

Version	1
Modified	Released January 17, 2025

