

<b>REFERENCE:</b>	<b>TSB:</b> 10-001-25 <b>GROUP:</b> 10 - Restraints	<b>Date:</b>	January 14, 2025	<b>REVISION:</b>	—
<b>VEHICLES AFFECTED:</b>	2021 - 2025 (MV) Jeep Compass			<b>MARKET APPLICABILITY:</b>	
				<input type="checkbox"/> NA	<input type="checkbox"/> MEA
				<input type="checkbox"/> SA	<input type="checkbox"/> IAP
				<input checked="" type="checkbox"/> EE	<input type="checkbox"/> CH
<b>CUSTOMER SYMPTOM:</b>	Customers may experience a rear seat belt that does not retract or is locked.				
<b>CAUSE:</b>	Folded seat belt				

**REPAIR SUMMARY:**

This bulletin involves unfolding one or both rear seat belts.

**CLAIMS DATA:**

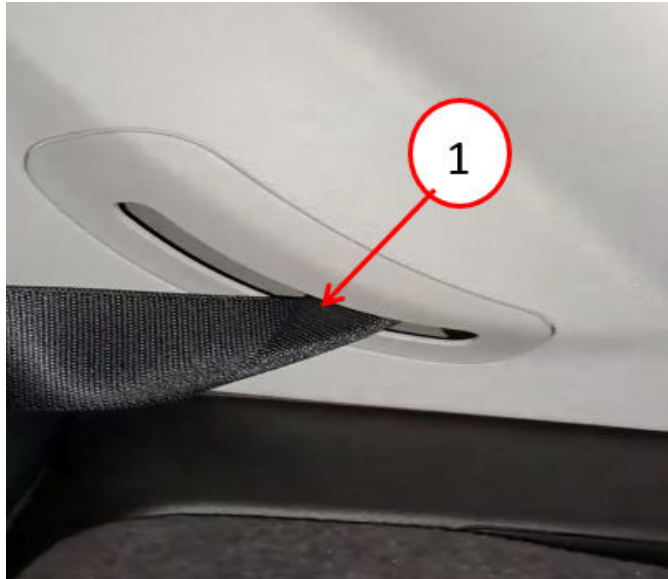
Labor Operation No:	Labor Description	Skill Category	Labor Time
23-13-03-95	Repair, Rear Seat Belt, One Side (0 – Introduction)	6 - Electrical and Body Systems	0.4 Hrs.
23-13-03-96	Repair, Rear Seat Belt, Both Sides (0 – Introduction)	6 - Electrical and Body Systems	0.7 Hrs.
Failure Code	ZZ	Service Action	

**DIAGNOSIS:**

If the customer describes the symptom/condition listed above, perform the Repair Procedure.

**REPAIR PROCEDURE:**

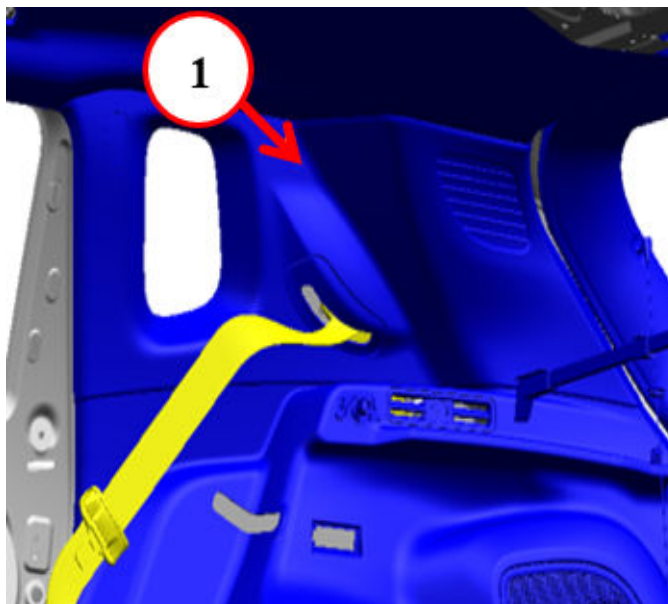
1. Inspect the rear seat belt for a folding condition [Fig. 1](#).



**Fig. 1**  
Folded Seatbelt

1 - Folded Seat Belt

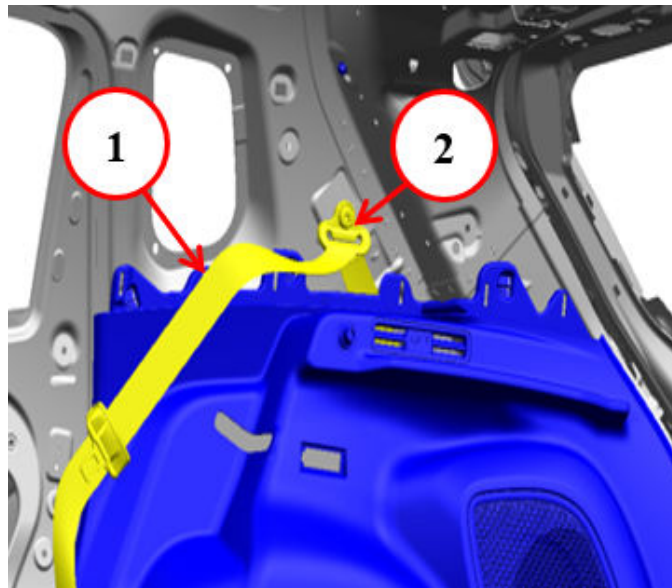
2. Is the rear seat belt folded and unable to retract?
  - YES>>>> The seat belt is folded and unable to retract. Proceed to [Step 3](#).
  - NO>>>> The seat belt is not folded but is unable to retract. Proceed to [Step 5](#).
3. Attempt to unfold the seat belt.
4. Is the seat belt still locked or unable to retract?
  - YES>>> Proceed to [Step 5](#).
  - NO>>> This bulletin is complete.
5. Remove the upper rear quarter trim panel [Fig. 2](#). Refer to the detailed service procedures available in DealerCONNECT/Service Library under: Service Info> 23 - Body / Interior / Panel, Quarter Trim / Removal.



**Fig. 2**  
Upper Rear Quarter Trim Panel

1 - Remove Upper Rear Quarter Trim Panel

6. Inspect the seat belt coming out of the turning loop [Fig. 3](#).



**Fig. 3**  
Unfolded Seat Belt

- 1 - Seat Belt
- 2 - Seat Belt Turning Loop

7. Is the seat belt folded coming out of the turning loop?

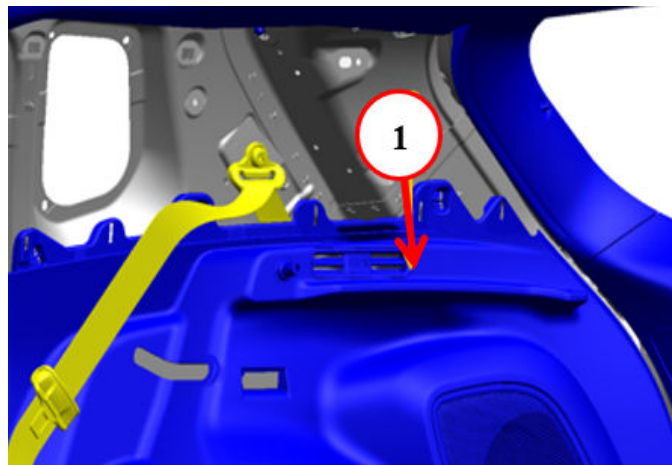
- YES>>> Proceed to [Step 8](#).
- NO>>> Proceed to [Step 10](#).

8. Unfold the seat belt.

9. Is the seat belt still unable to retract?

- YES>>> Proceed to [Step 10](#).
- NO>>> Proceed to [Step 13](#).

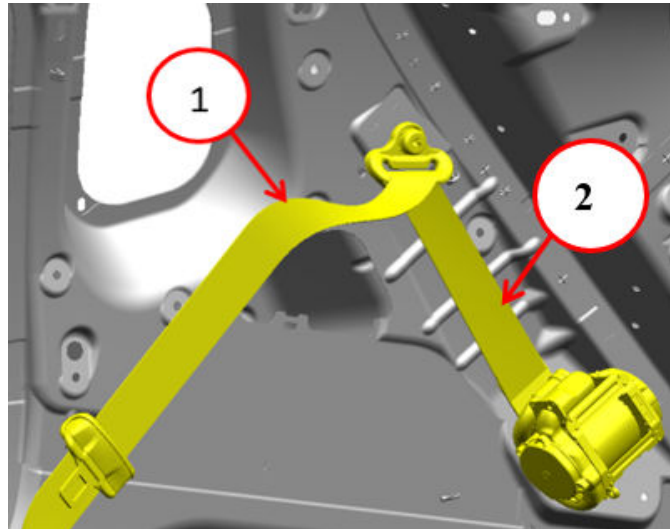
10. Remove the lower rear quarter trim panel [Fig. 4](#). Refer to the detailed service procedures available in DealerCONNECT/Service Library under: Service Info> 23 - Body / Interior / Panel, Quarter Trim / Removal.



**Fig. 4**  
Rear Lower Quarter Trim Panel

- 1 - Remove Rear Lower Quarter Trim Panel

11. Unfold the seat belt coming out form the retractor and through the turning loop Fig. 5.



**Fig. 5**  
Seat Belt

1 - Seat Belt After Turning Loop  
2 - Seat Belt Between Retractor And Turning Loop

**NOTE: If all seat belt folds have been eliminated and the seat belt is unable to retract, perform a backlock by using moderate force to pull the belt out at least 20 mm and then release it. This should unlock the retractor.**

12. Install the lower rear quarter trim panel. Refer to the detailed service procedures available in DealerCONNECT/Service Library under: Service Info> 23 - Body / Interior / Panel, Quarter Trim / Installation.
13. Install the upper rear quarter trim panel. Refer to the detailed service procedures available in DealerCONNECT/Service Library under: Service Info> 23 - Body / Interior / Panel, Quarter Trim / Installation.

#### **POLICY:**

Reimbursable within the provisions of the warranty.

*This bulletin is supplied as technical information only and is not an authorization for repair. No part of this publication may be reproduced, stored in a retrieval system, or transmitted, in any form or by any means, electronic, mechanical, photocopying, or otherwise, without written permission of FCA US LLC.*