

Technical product information

Topic	Front carpets / Mats wet - Musty smell in the cabin - Suspected leak from the water and condensate drains
Market area	Bentley: worldwide (2WBE), China 796 VW Import Comp. Ltd (Vico), Beijing (6796)
Brand	Bentley
Transaction No.	2075712/1
Level	EH
Status	Approval
Release date	

New customer code

Object of complaint	Complaint type	Position
vehicle service -> service, maintenance -> repair execution	service: process -> with determination of concern	
air conditioning -> air duct system, filtration, blower	leaks	

Vehicle data

New Continental GT/C and New Flying Spur

Sales types

Type	MY	Brand	Designation	Engine code	Gearbox code	Final drive code
Z23*	2025	E		*	*	*
Z24*	2025	E		*	*	*
Z32*	2025	E		*	*	*

Documents

Document name
master.xml

Customer statement / workshop findings

Customer statement

- Water ingress into the left and/or right hand foot well
- Front carpets and/or foot mats are wet
- Musty smell in the cabin

Technical background

NOTICE

Please also consider TPI 2075713/- as the described symptoms are similar however the repair method is different

In the event the issue is as described please refer to the instructions within the Measure section

CAUTION

Please ensure all guidelines within the repair manual are strictly followed before and whilst conducting any work on vehicles with a High voltage system

Production change

Not applicable

Measure

NOTICE

Before conducting the onward instructions the operative must confirm the leak is from the left and right hand water and condensate drains as follows:

- 1) Referring to Figure 1 - Remove the (x2) fixings 3.5Nm (point 1) and remove the left and right hand lower panels

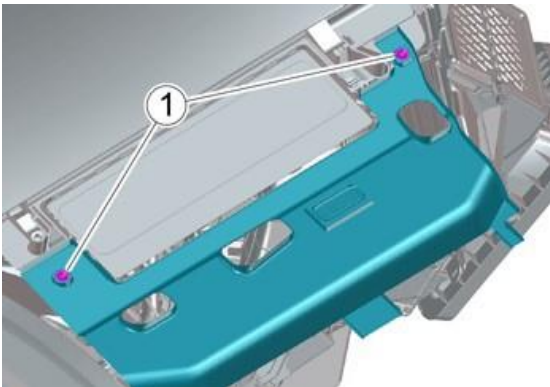


Figure 1

- 2) with care manoeuvre the carpet in the direction shown (ARROW) until the water and condensate drains can be located



Figure 2

3) Ensure the vehicle is parked in a well ventilated area / ensure exhaust extraction equipment is used

- Start up the engine
- Switch on the A/C system to Max (Figure 3)



Figure 3

- Allow the engine to idle for 5 minutes
- Referring to Figure 4 - After 5 minutes has elapsed
- Check the left and right hand condensate drains for signs of moisture residue stains (A)
- Check the hoses for signs of water leaks (B)



Figure 4

NOTICE

In the event that water is leaking from the condensate drain hoses at the points shown in Figure 4 or moisture residue stains are evident the operative should conduct the remaining instructions from step 4 on the left and right hand side

4) Referring to Rep.Gr 87 - Remove the left and right hand front carpets to gain access to the water and condensate drains

Left hand side

⚠ CAUTION

Take caution when removing the condensate drain from the drain tube, as this can be difficult to relocate without accessing the underside of the vehicle and removing several components

5) Referring to Figure 5 - Disconnect points A,B and C and apply silicone sealant as described in the onward instructions

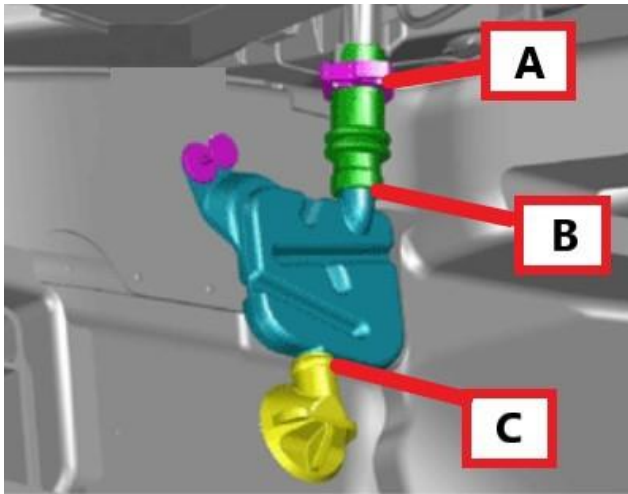


Figure 5

Point A

- Disconnect the rubber hose from the HVAC drain
- Clean and dry the inside of the rubber hose and HVAC drain plastic pipe
- Apply a thin layer of silicone sealant to the inside of the rubber hose and plastic drain pipe

Point B

- Disconnect the rubber hose from the condensate drain (Upper)
- Clean and dry the inside of the rubber hose and condensate drain pipe
- Apply a thin layer of silicone sealant to the inside of the rubber hose and condensate drain pipe

Point C

- Disconnect the upper rubber hose from the condensate drain (Lower)
- Clean and dry the inside of the rubber hose and condensate drain pipe
- Apply a thin layer of silicone sealant to the inside of the rubber hose and condensate drain pipe

6) Reconnect all previously disconnected hoses (A,B and C)

7) Allow the sealant to cure (Refer to sealant manufacturers guidelines)

Right hand side

8) Conduct step 5,6 and 7 on the right hand side

Both sides continued

9) Once the sealant has cured repeat step 3 to confirm the issue is resolved

⚠ CAUTION

The carpets, surrounding area and components must be dry before refitting the carpets

10) In the event the issue is resolved refit the left and right hand side front carpets as referenced within Rep.Gr 87

Or

Should the issue not be resolved please raise a DISS query and await feedback before conducting any further work

Warranty accounting instructions

Warranty type 110 or 910

Damage Service number 70 41

Damage code 00 49

New Continental GT / C

Time to remove and refit the left and right hand side front carpets

Labour Operation Code 70 41 20 00

Time 330 TU

New Flying Spur

Time to remove and refit the left and right hand side front carpets

Labour Operation Code 70 41 20 01 (Use 99 index until 05/12/24)

Time 270 TU

All Models

Time to check the left and right hand water and condensate drains (steps 1,2 and 3)

Labour Operation Code 87 91 01 98 (Use 99 index until 05/12/24)

Time 20 TU

Time to apply the sealant to the left and right hand side water and condensate drain hoses (top and bottom)

Labour Operation Code 87 91 52 98 (Use 99 index until 05/12/24)

Time 20 TU

Parts information



Silicone sealant to be sourced locally