

Auxiliary Battery Charging, Improvement

V-321-002

(December 2024)

Valid for

Volvo truck models with USA17 and USA21 emissions levels, Aux. Power/Climate Systems and a LeeceNeville alternator.

Case description

Volvo Trucks has identified that some VN model vehicles equipped with auxiliary power unit batteries may experience insufficient battery system charging. This could lead to early battery failure and improper functioning of the auxiliary power systems. Follow the instructions in the attached document to upgrade the charging system.

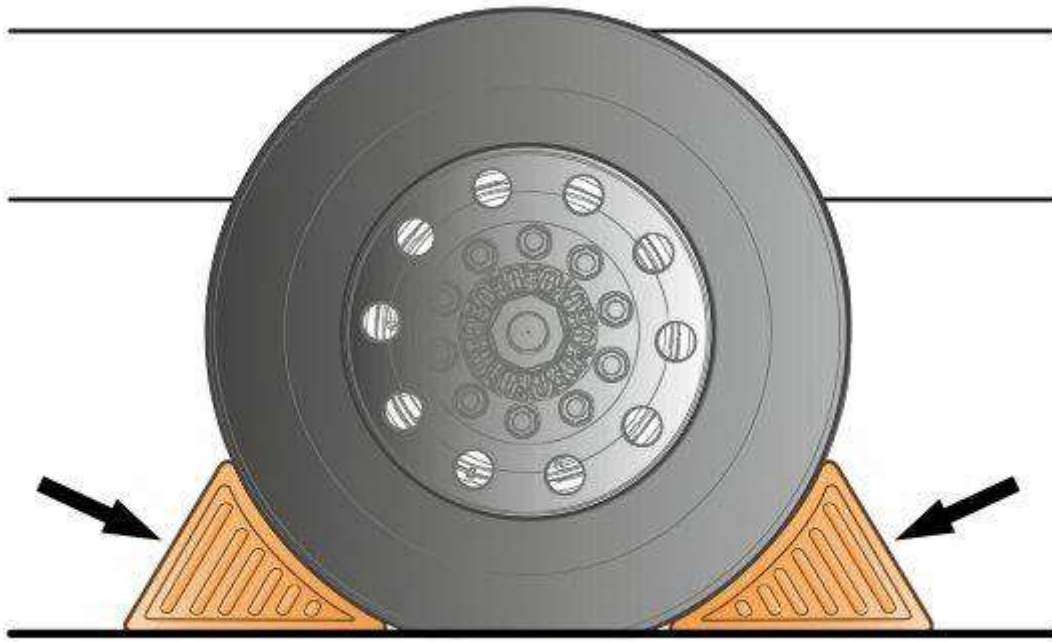
Parts

Follow the instructions before ordering parts.

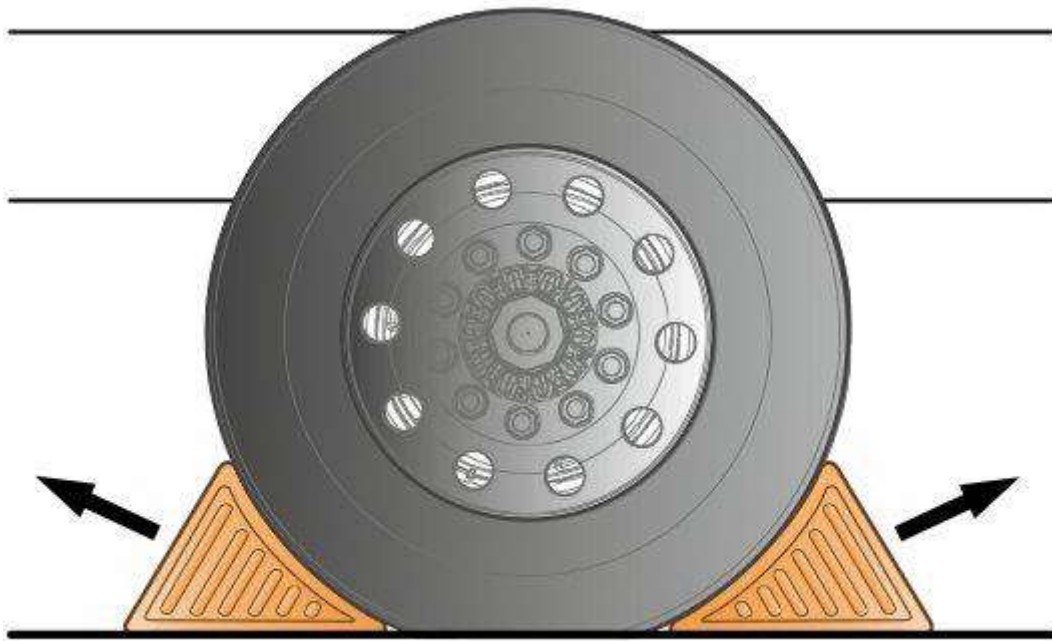
SL No	Part number	Description	Quantity
1	24112498	Alternator	1
2	23963356	Pulley	1
3	24428844	Belt	1

Repair procedure

1. Park the vehicle on a level surface.
2. Apply the parking brake.
3. Place the gear lever in neutral.
4. Install the wheel chocks.



5. Replace the following parts.
 - Alternator with P/N-24112498
 - Alternator Pulley with P/N-23963356
 - Alternator Belt with P/N-24428844
6. Remove the wheel chocks.



Issued by

Technical Service