

Auxiliary Battery Charging, Improvement

V-321-001

(December 2024)

Valid for

Volvo truck models with USA21 emissions level, Aux. Power/Climate Systems and a Delco alternator.

Case description

Volvo Trucks has identified that some VN model vehicles equipped with auxiliary power unit batteries may experience insufficient battery system charging. This could lead to early battery failure and improper functioning of the auxiliary power systems. Follow the instructions in the attached document to upgrade the charging system.

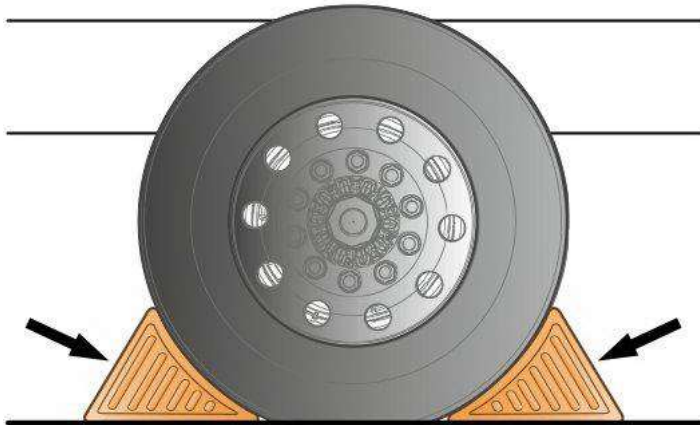
Parts

Follow the instructions before ordering parts.

SL No	Part number	Description	Quantity
1	23963356	Pulley	1
2	24428844	Belt	1

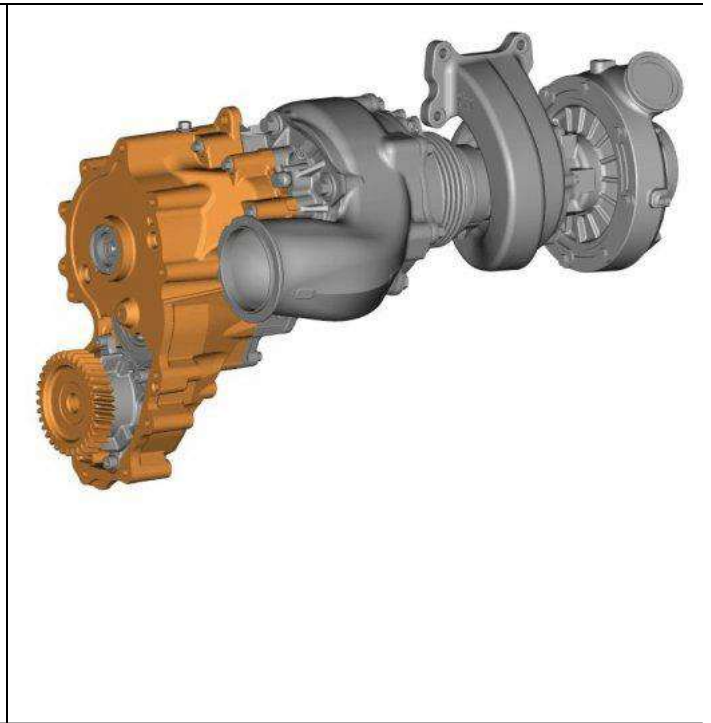
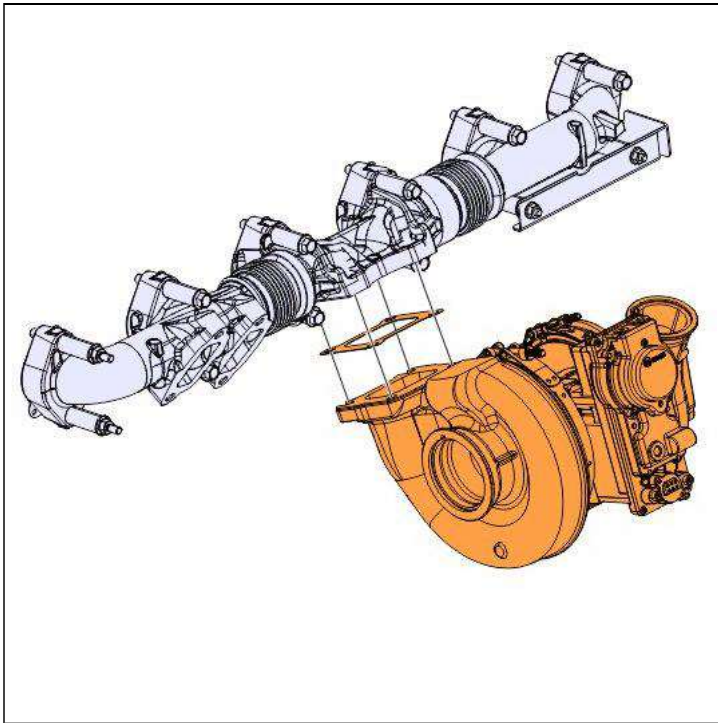
Repair procedure

1. Park the vehicle on a level surface.
2. Apply the parking brake.
3. Place the gear lever in neutral.
4. Install the wheel chocks.



5. Determine which turbo configuration the truck has.

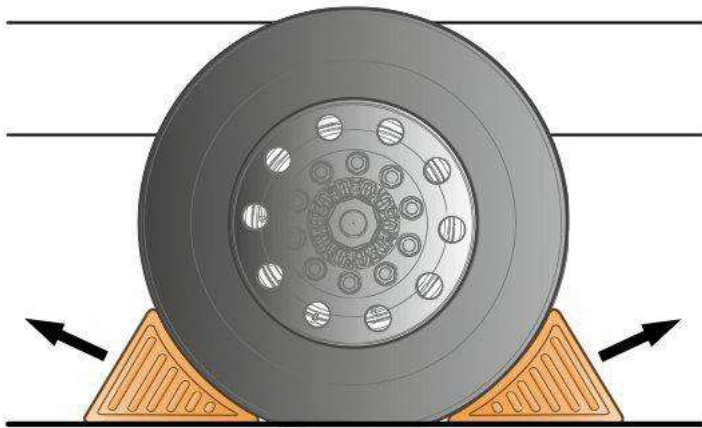
Variable-Geometry Turbo	Turbocompound
-------------------------	---------------



6. Replace parts according to turbo identification.

Variable-Geometry Turbo	Turbocompound
Replace Alternator Pulley with part number 23963356 and Alternator Belt with part number 24428844.	Replace Alternator Pulley with part number 23963356.

7. Remove the wheel chocks.



Issued by

Technical Service