



PERSONAL SERVICE LAB

MASTERS OF CARE

Grecale Center Console Storage Lid Repair

DATE: DECEMBER 18, 2024

This Technical bulletin serves as a guide and provides additional info for possible loose center console storage lid.

MODELS: M182 Grecale (All MY).

CUSTOMER CONCERN: Center console storage lid loose while opening. (See included video example)

ROOT CAUSE: The storage box housing hole that holds the pin for the lid hinge is out of tolerance.

ACTION: Perform the repair procedure below:

- 1) Proceed removing the tunnel glove compartment according to the workshop manual (TechDocs) procedure **"09.51.029 00 TUNNEL POCHEP PAN"**

Proceed to apply a small amount of adhesive at the 8 pins shown in the on the next page:

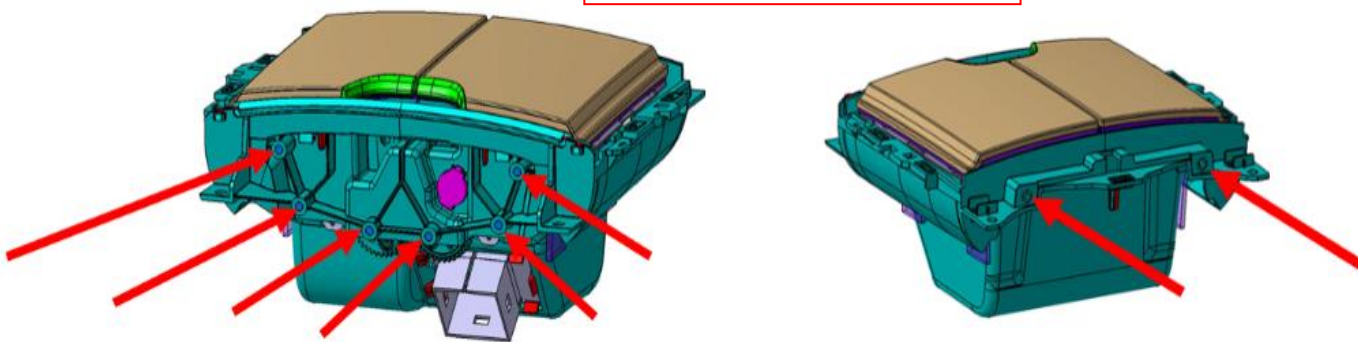


Adhesive to be used: Loctite 406

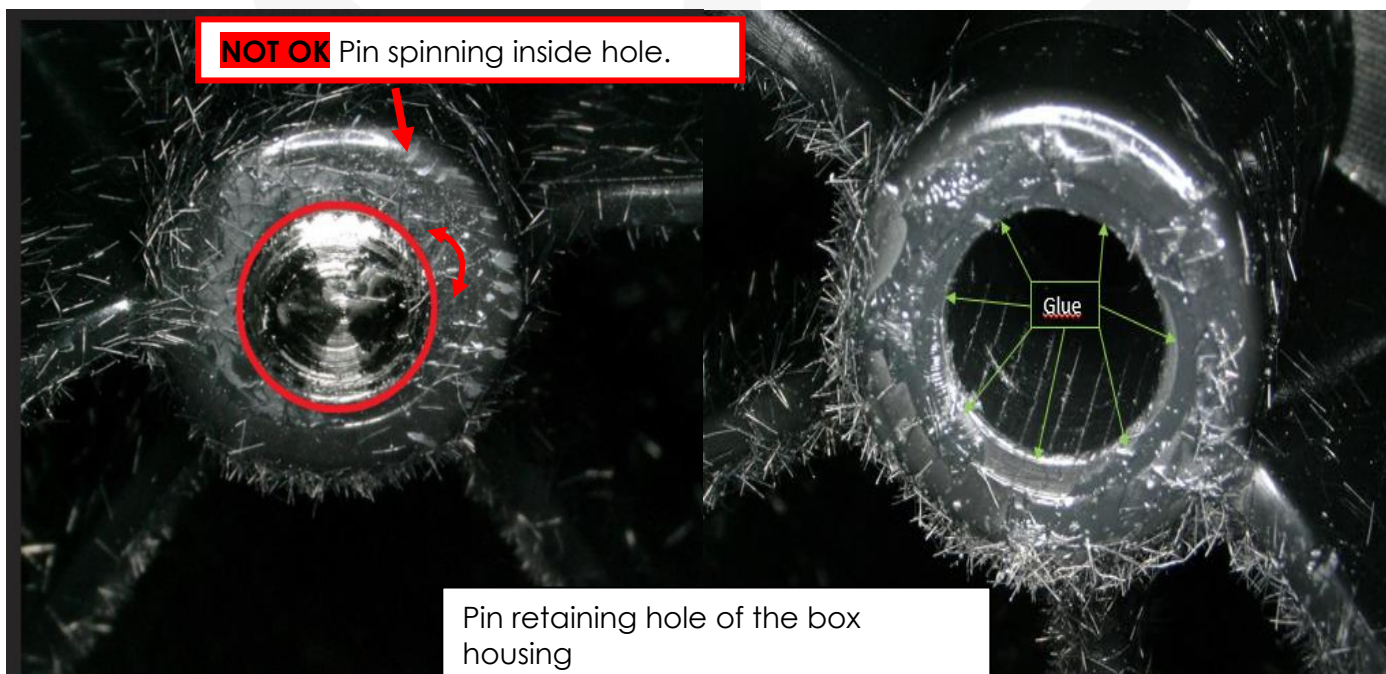
FRONT PART

REAR PART

Apply glue in these 8 holes



IMPORTANT: the adhesive must be applied in the interface area between the pin and its housing hole (red circle area indicated below)



- 2) Re install the Tunnel glove compartment according to the procedure indicated at step 1)

CONSIDERATION: Open a BOL, send it as Factory Information with reference to this technical information.

MANAGEMENT OF WARRANTY CLAIM

To enter the relevant warranty claim, the following time code must be used which includes the disassembly and reassembly of the component in addition to the rework indicated above:

9.51.029.A (REWORK): 1,05 hours