

MAS004426 MCL 24-56

Circular Letter

FROM: Maserati TSO

TO: Maserati Network



Maserati

PERSONAL SERVICE LAB

MASTERS OF CARE

MC20 Differential Cover O-ring Serviceability

DATE: December 18, 2024



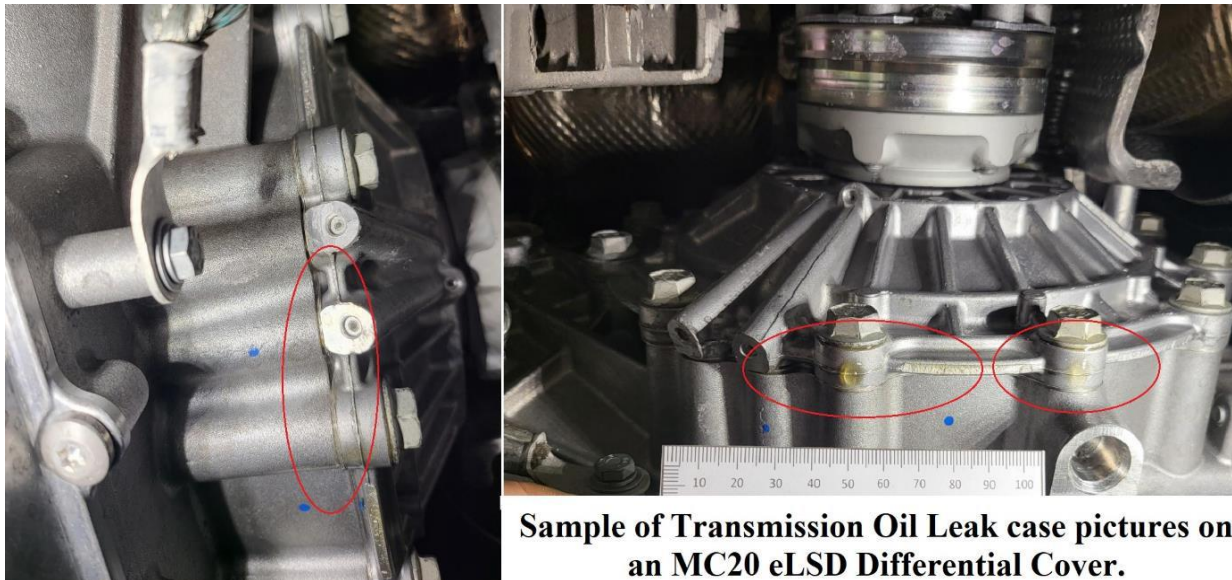
This communication is intended to provide important information on the serviceability of the Differential Cover O-rings installed on Maserati MC20 coupè and Cielo versions. In case of oil leakage from the Differential Cover, it is now possible to replace only the O-rings instead of the complete gearbox.

MODELS (M240) MC20 and MC20 Cielo (All MY)

OVERVIEW

In a very few cases, we've detected a Transmission oil leak on MC20 from the Differential Cover due to potential pinched O-Ring or "dog bones" oil tubes internally damaged.

Till today, we managed these few cases by replacing the complete DCT Gearbox; no repair kit was available. From now on, each repair related to this specific issue and claimed in warranty (valid for ALL Cost Codes), must be performed by using the Differential Cover O-Ring Kit only and according to the following instructions.



Sample of Transmission Oil Leak case pictures on an MC20 eLSD Differential Cover.

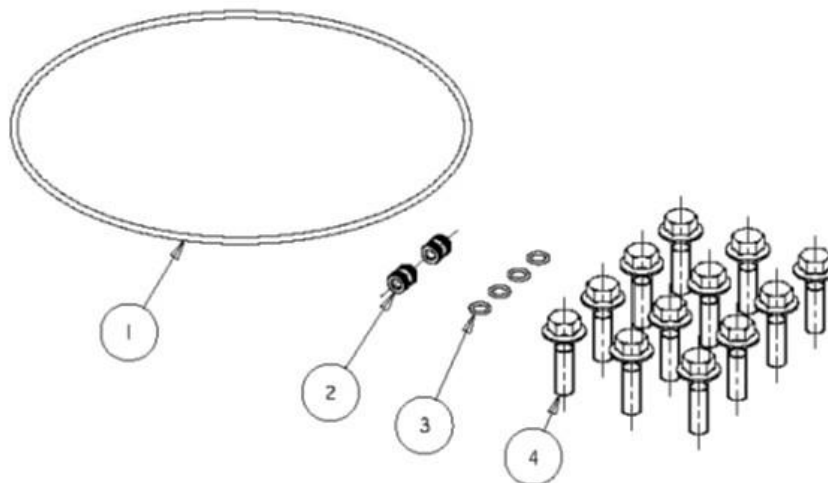
Parts Information

The following P/N can be serviced:

673017006 – differential cover O-ring kit

This kit include: the differential cover O-ring, the differential dog bone, the differential dog bone O-ring and the differential cover bolt. The above P/N is installed on all versions of MC20.

The components that can be serviced and available as spare parts are:



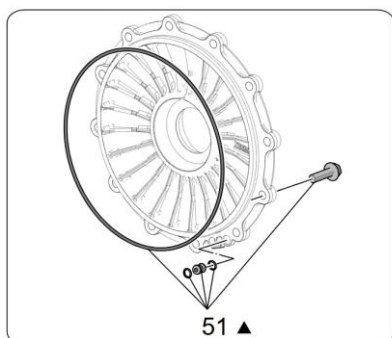
DIFFERENTIAL COVER O-RING; 2. DIFFERENTIAL DOGBONE; 3. DIFFERENTIAL DOGBONE O-RING; 4. DIFFERENTIAL COVER BOLT

Please always refer to the Technical Documentation for the latest updates or contact Maserati Helpdesk.

Repair Procedure

The procedures for replacement of the Differential Cover O-rings are published in the Technical Documentation in the section:

03.10.169 – DIFFERENTIAL COVER GASKET KIT



PLEASE NOTE: Repair procedure may vary depending on the type of differential (mechanical or electronic) installed on the vehicle. For this reason, **ALWAYS** use the **VIN** to look up repair procedures or to order parts.

Tools

No new Special Tools are needed to perform the replacement.

Lubricant

Whenever the gearbox is replaced or serviced, it is **mandatory** to use the specified differential fluid listed in TechDocs (Titan FFL-4 Fuchs, formerly Pentosin), which is readily available through local commercial channels.

In case of availability problems, please contact Fuchs customer care or Maserati.

Following, the link of the homepage with Fuchs contacts: <https://www.fuchs.com/group/the-company/company/fuchs-worldwide/>