

2025 Corolla Cross and Corolla Cross HV Pre-Delivery Service (PDS)

Service Category General

Section Pre-Delivery Service

Market USA

Toyota Supports
 ASE Certification 

Applicability

YEAR(S)	MODEL(S)	ADDITIONAL INFORMATION
2025	Corolla Cross, Corolla Cross HV	

Introduction

Pre-Delivery Service (PDS) is a critical step in satisfying our new car customers. Customer feedback indicates the following areas deserve special attention when performing PDS:

- Careful inspection for paint chips/scratches and body dents/dings.
- Proper operation of electrical accessories (including interior light, clock, and radio reset).
- Interior cleanliness.
- Proper function of mechanical systems.

Customer retention and proper maintenance of vehicles are and have always been a major focus for Toyota. To help remind customers that regular service is essential to the proper maintenance of the vehicle, dealers are required to install a service reminder sticker before delivery. By doing this, customers will be reminded to return to your dealership for service. Your current service reminder sticker may be used. (See PDS Check Sheet item 8 of “Final Inspection and Cleaning.”)

This bulletin contains the PDS procedures that apply specifically to 2025 model year Corolla Cross and Corolla Cross Hybrid vehicles.

Refer to [T-SB-0028-24](#), the universal *Check Sheet* that contains PDS steps that apply to all 2025 model year Toyota vehicles. To properly perform a complete PDS, you must complete all procedures contained in this TSB as well as the universal PDS Check Sheet.

In addition, if the vehicle is stored for over 30 days, refer to [T-SB-0023-24](#), *Long-Term Vehicle Storage Guidelines*.

2025 Corolla Cross and Corolla Cross HV Pre-Delivery Service (PDS)

Introduction (continued)

Refer to the table below for a definition of terms that may be used in this bulletin.

Table 1.

TERM	ACRONYM	DEFINITION
Conventional Vehicle	CV	A vehicle with only a gasoline engine for propulsion
Electrified Vehicle	EV	A vehicle that utilizes a hybrid, plug-in hybrid, fuel cell, or battery electric system for propulsion
Hybrid Electric Vehicle	HEV	A vehicle with both a gasoline engine and a HV Battery
Plug-in Hybrid Electric Vehicle	PHEV	A vehicle with both a gasoline engine and a HV Battery that can be charged externally
Battery Electric Vehicle	BEV	A vehicle with only a HV Battery that can be charged externally
Fuel Cell Electric Vehicle	FCEV	A vehicle with both a hydrogen fuel cell and a HV Battery
State of Charge	SOC	The remaining capacity available in a battery
12-Volt	12V	Standard 12V battery used to power electrical systems separate from high voltage components
High Voltage	HV	HV Battery used to power the electrified vehicle

2025 Corolla Cross and Corolla Cross HV Pre-Delivery Service (PDS)

Table of Contents

- [Warranty Policy](#)..... 4
- [Warranty Information](#)..... 4
- [Required Tools & Equipment](#) 4
- [D/C Cut Fuse Installation*](#) 5
- [Front License Plate and Mounting Bracket Installation*](#) 6
- [Front and Rear Emergency Towing Eyelet Removal and Hole Cover Installation](#)..... 8
- [Installation of Rubber Body Plugs](#) 10
- [Tire Pressure Warning System \(TPWS\) Initialization](#)..... 11
- [Head Unit System Reset](#)..... 11
- [Dealer Contact Information for Call Dealer Head Unit Function*](#) 11
- [Navigation — Set Date & Time by GPS](#) 11

*If applicable.

2025 Corolla Cross and Corolla Cross HV Pre-Delivery Service (PDS)

Warranty Policy

If the need for additional repairs or adjustment is noted during PDS, the required service should be performed under warranty. Reimbursement will be managed under the warranty policy.

The Warranty Policy and Procedures Manual requires that you maintain the completed Check Sheet in the customer's file. If you cannot produce a completed form for each retailed vehicle upon TMS and/or Region/Distributor audit, the PDS payment amount will be subject to debit.

An additional Repair Order completed in conjunction with normal PDS MUST have time punch/flags for service. If multiple repairs are performed, separate time flags MUST be punched for each repair.

Warranty Information

OP CODE	MODEL	DESCRIPTION	TIME	OFF	T1	T2
001013	Corolla Cross	Pre-Delivery Service (PDS)	1.0	-	-	-
	Corolla Cross HV		1.4			

Required Tools & Equipment

REQUIRED EQUIPMENT	SUPPLIER	PART NUMBER	QTY
Techstream ADVi*	ADE	TSADVUNIT	1
Techstream 2.0		TS2UNIT	
Techstream Lite		TSLITEPDLR01	
Techstream Lite (Green Cable)		TSLP2DLR01	

*Essential SST.

NOTE

- Only ONE of the Techstream units listed above is required.
- GTS+ Software version 2024.03.004.02 or later is required.
- Additional Techstream units may be ordered by calling Approved Dealer Equipment (ADE) at 1-800-368-6787 or by visiting *TIS – Diagnostics – Tools & Equipment – Techstream Order Portal*.

2025 Corolla Cross and Corolla Cross HV Pre-Delivery Service (PDS)

D/C Cut Fuse Installation (For Japan Built Units)

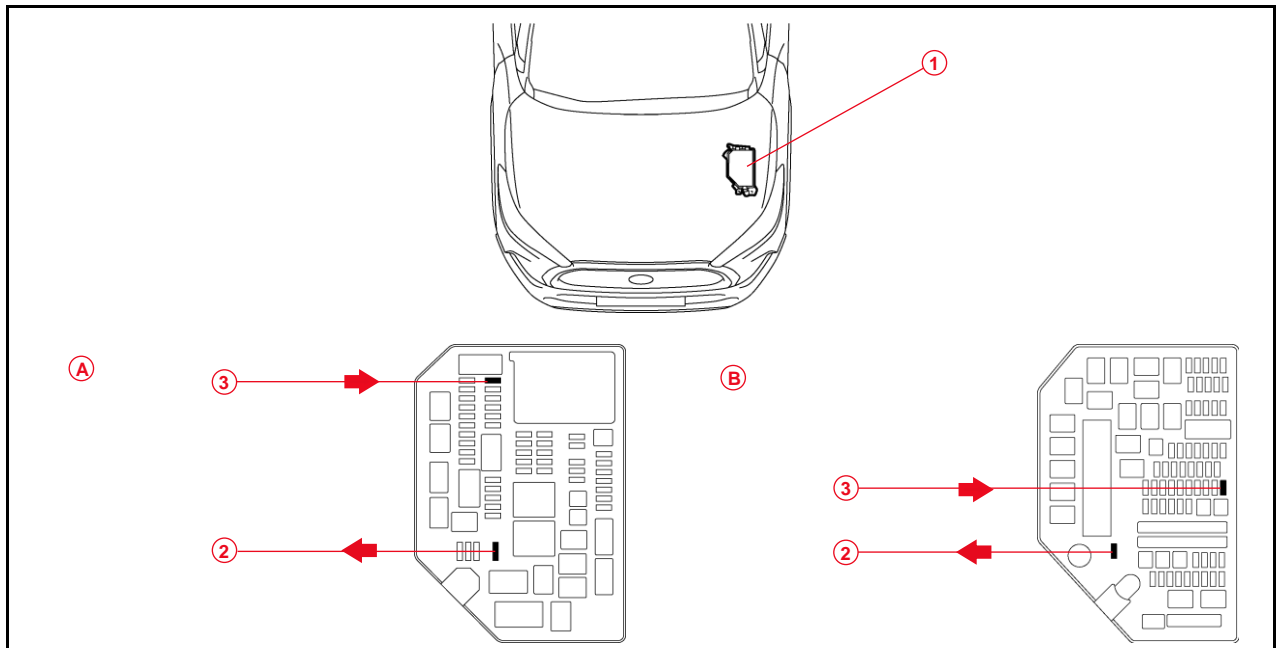
To minimize battery discharge during transportation and storage, the D/C cut fuse (30A) has been removed at the assembly plant and temporarily stored in the blank space of the relay block in the engine compartment. During PDS, reinstall the D/C cut fuse (30A) to its original location and confirm ALL related Diagnostic Trouble Codes (DTCs) are cleared.

Remove the D/C cut fuse (30A) from the blank space of the relay block in the engine compartment and install the D/C cut fuse (30A) in the relay block as shown in Figure 1.

HINT

To identify manufacturing location, reference the VIN Decoder Chart at:
Library – Reference Information – Technician – Technician's Reference.

Figure 1.



A	Gasoline Vehicles
B	Hybrid Vehicles
1	Relay Block

2	Remove the D/C Cut Fuse (30A)
3	Install the D/C Cut Fuse (30A) (Original Location)

NOTE

- With the D/C cut fuse (30A) removed, if ANY DTCs are detected when the ignition is turned on during transportation, use Global Techstream Software (GTS+) to clear ALL DTCs AFTER ensuring that there are NO malfunctions.
- While the vehicle is stored at the dealership, disconnect the negative (-) battery terminal to prevent battery discharge. Refer to [T-SB-0021-24](#), *Battery Inspection and Maintenance During PDS*, for battery maintenance information.

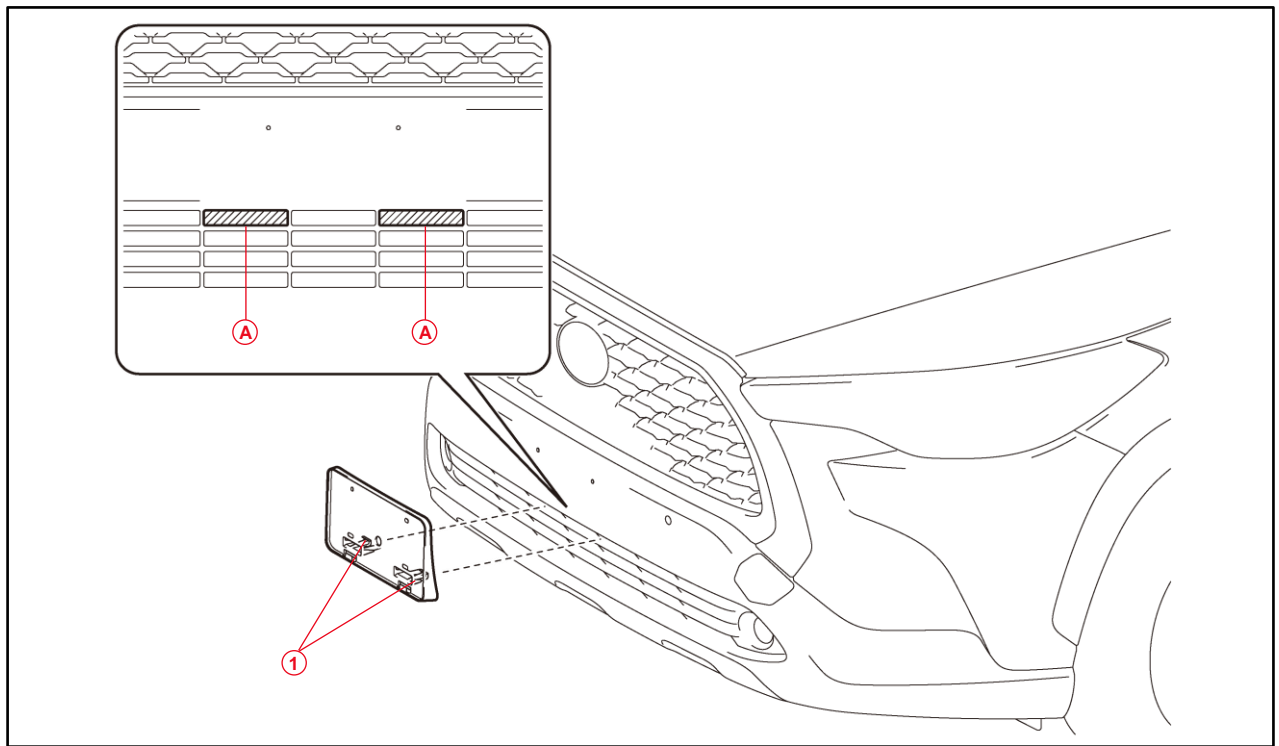
2025 Corolla Cross and Corolla Cross HV Pre-Delivery Service (PDS)

Front License Plate and Mounting Bracket Installation

The front license plate bracket and two self-tapping screws are loaded in the luggage compartment at the assembly plant. Follow this procedure to install the front license plate bracket and front license plate in states where it is required by law.

1. Install the bracket rib into area "A" of the grille.
2. Press the front license plate bracket onto the grille until the clips engage.
3. Align the holes on the front license plate bracket with the dimples on the front of the grille.

Figure 2.



A	Area A
----------	---------------

1	Snap Fit
----------	-----------------

2025 Corolla Cross and Corolla Cross HV Pre-Delivery Service (PDS)

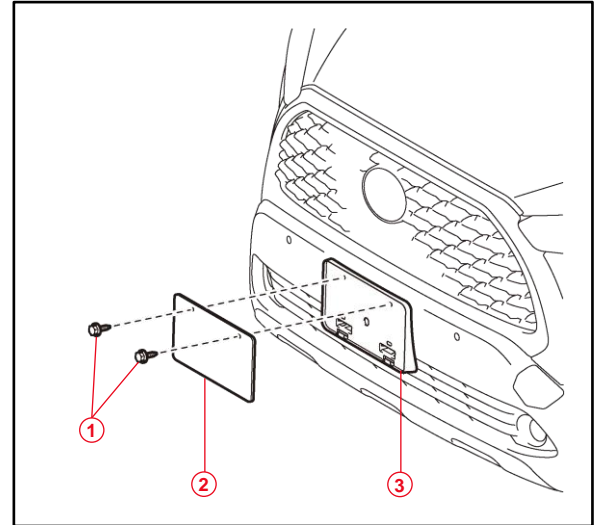
Front License Plate and Mounting Bracket Installation (continued)

4. Install two self-tapping screws through the holes on the front license plate, bracket, and lower grille.

NOTICE

- Do NOT pre-drill holes.
- Do NOT over-tighten the self-tapping screws.

Figure 3.



1	Self-tapping Screws
2	License Plate
3	Mounting Bracket

2025 Corolla Cross and Corolla Cross HV Pre-Delivery Service (PDS)

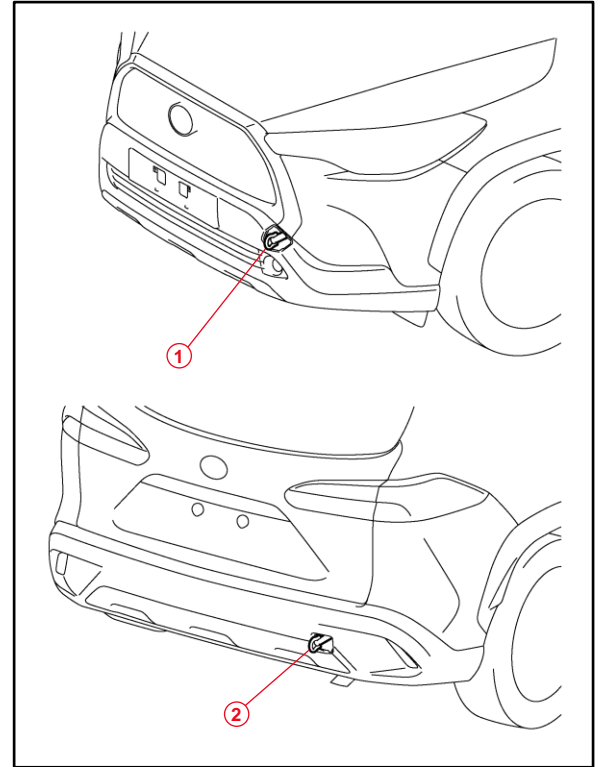
Front and Rear Emergency Towing Eyelet Removal and Hole Cover Installation

1. Remove the front AND rear emergency towing eyelets from the front and rear bumpers by turning them counterclockwise.

NOTE

- If it is difficult to loosen the emergency towing eyelets, use a steel bar.
- Dispose of the removed emergency towing eyelets.

Figure 4.



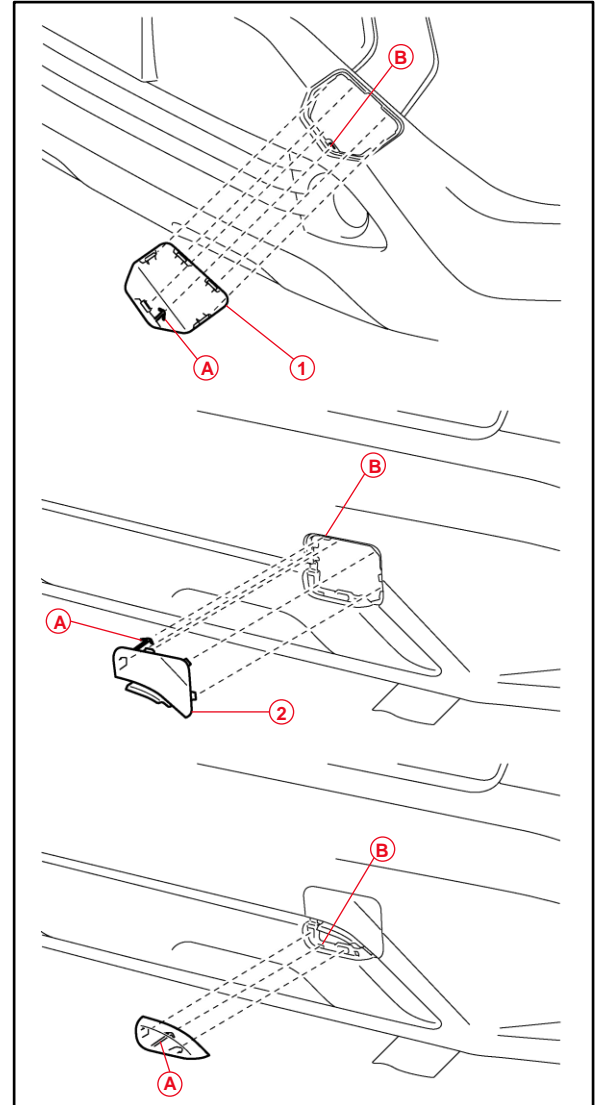
1	Front Emergency Towing Eyelet
2	Rear Emergency Towing Eyelet

2025 Corolla Cross and Corolla Cross HV Pre-Delivery Service (PDS)

Front and Rear Emergency Towing Eyelet Removal and Hole Cover Installation (continued)

2. Install the front AND rear emergency towing eyelet hole covers, which are stored in the glove compartment, onto the front and rear bumpers.
 - A. Insert the arrow-shaped part "A" of the emergency towing eyelet hole cover into eyelet hole "B" as shown.
 - B. Install the front and rear emergency towing eyelet hole covers into the holes of the front and rear bumper.

Figure 5.



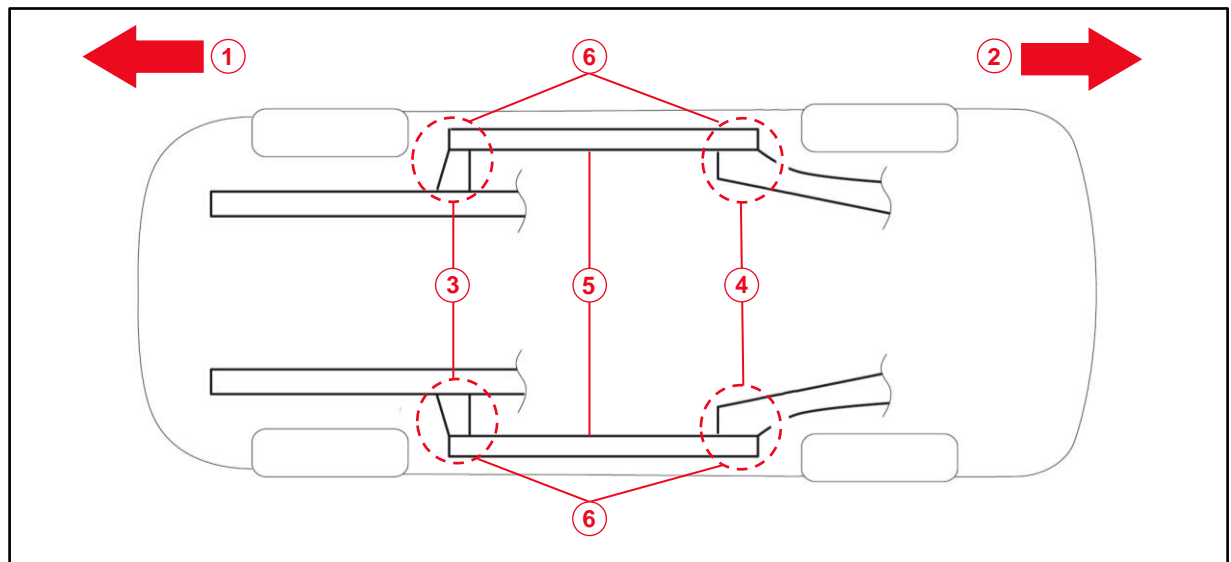
A	Arrow-shaped Part
B	Eyelet Hole
1	Front Emergency Towing Eyelet Hole Cover
2	Rear No. 1 Emergency Towing Eyelet Hole Cover
3	Rear No. 2 Emergency Towing Eyelet Hole Cover

2025 Corolla Cross and Corolla Cross HV Pre-Delivery Service (PDS)

Installation of Rubber Body Plugs

1. Confirm the number of plugs in the glove box. If two plugs are present, perform substep 2A ONLY. If four plugs are present, perform substep 2A AND substep 2B.
2. Install the plugs according to the instructions below by confirming the number of plugs in the glove box.
 - A. Install two plugs in the rear side member hole or rocker inner hole as shown.
 - B. Install two plugs in the torque box hole or rocker inner hole as shown.

Figure 6.



1	Front Side
2	Rear Side
3	Torque Box Hole or Rocker Inner Hole

4	Rear Side Member Hole or Rocker Inner Hole
5	Rocker Inner
6	Install Plug Here (if Applicable)

NOTICE

- The installation of these plugs is required to prevent rust.
- These plugs are stored in the glove box.
- The number of plugs may vary according to production locations in the same vehicle model.

2025 Corolla Cross and Corolla Cross HV Pre-Delivery Service (PDS)

Tire Pressure Warning System (TPWS) Initialization

Refer to the applicable Repair Manual for the TPWS initialization procedure.

- [2025](#) Corolla Cross and Corolla Cross HV:
Suspension – Tire Pressure Monitoring – Tire Pressure Warning System – Initialization

NOTE

- To adjust the tire pressure correctly when the outside temperature is significantly colder than shop temperature, perform a Health Check using GTS+ and select the compensation tire pressure checkbox. Compensation pressures will display on the Health Check results screen. Adjust the tire pressure when the tires are cold.
- If the vehicle has a spare tire, it does NOT have a TPWS sensor.

Head Unit System Reset

Prior to vehicle delivery, please confirm that the welcome screen with language options appears on the head unit display when ignition is switched to the ON position. There may be instances where the welcome screen with language options may not properly appear on the head unit display.

If the welcome screen showing language options is not displayed, complete the following steps:

1. Select the Settings option (gear icon).
3. Scroll down and select the Info & Security option.
4. The System Reset dialogue box will appear. Select Reset to confirm the resetting of system.
5. Confirm that the welcome screen with language options is now displayed.

Dealer Contact Information for Call Dealer Head Unit Function

Refer to the *Multimedia System Owner's Manual* to add dealer contact information.

- [2025](#) Corolla Cross and Corolla Cross HV:
Section 2-9 Vehicle Settings – Setting Dealer Information

Navigation — Set Date & Time by GPS

Prior to vehicle delivery, it is necessary to turn the Set Date & Time by GPS setting to the ON position.

1. Turn the engine switch (power switch) to the ON position (ON mode).
2. Navigate the following menus in the head unit: *Settings – General – Date & Time – Set date & time by GPS.*
3. Ensure the Set Date & Time by GPS function is set to the ON position.